

PREMIUM TRUCK SCISSOR DOCK LIFT - WL-100-5-48

ANY ADDITIONS, DELETIONS, OR OMISSIONS MUST BE CORRECTED ON THIS DRAWING AS THIS DRAWING WILL BE CONSIDERED ALL INCLUSIVE
 ALL GRAPHICS PROVIDED ARE FOR REFERENCE ONLY. IF CERTAIN DIMENSIONS ARE CRITICAL PLEASE VERIFY THOSE DIMENSIONS WITH YOUR SALESPERSON

STANDARD FEATURES

MODEL NUMBER: WL-100-5-48
 UNIT TO BE MOUNTED: AT SURFACE
 OR IN PIT (CIRCLE ONE)
 CAPACITY (EVENLY DISTRIBUTED):
 5,000 LBS
 OVERALL PLATFORM SIZE: (48" X 96")
 RAISED HEIGHT 68" ± 2"
 LOWERED HEIGHT: 8"
 REMOVABLE HANDRAILS AND 4"NON-
 REMOVABLE TOE BOARDS 42" HT W/
 21" MIDRAIL
 TRUCK BRIDGE IS 48" W X 18" L AT
 ROLLER END W/ CHAINS & HANDLES
 FRAME SIZE IS: 41" W X 93" L
 SHIPPING WT APPROX: 2900 LBS ±
 6 1/2 HP EXTERNAL POWER UNIT
 (SEE BOTTOM OF PAGE)

W/ 8' OF HYDRAULIC HOSE
 -CONTROL IS HANDHELD, 2
 BUTTON, NEMA 4 PENDANT WITH
 4'-20' USABLE COIL CORD
 REFER TO THE UNIT'S
 ELECTRICAL DIAGRAM FOR
 ELECTRICAL SERVICE
 REQUIREMENTS

-INSTALL TO MEET ALL APPLICABLE
 STATE & LOCAL

CODES FOR YOUR AREA!

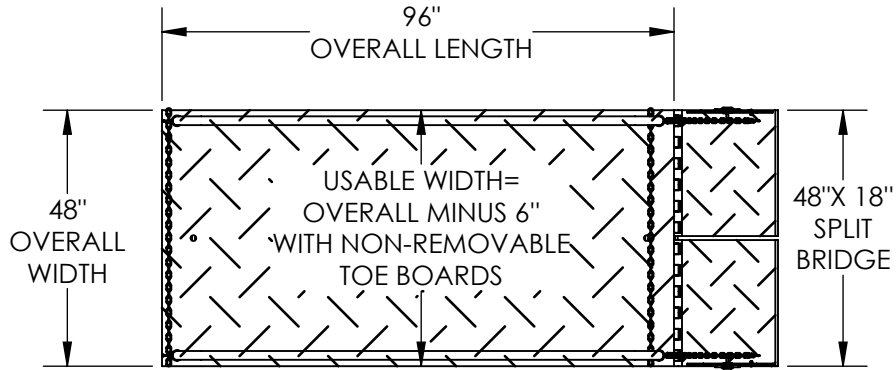
5" BEVELED TOE GUARD
 ARCHITECTURAL REVIEW FOR
 CORRECTNESS OF PIT AND FOR
 COMPLIANCE TO LOCAL AND STATE
 CODES IS RECOMMENDED.

UNIT IS DURABLE LIQUID PAINT BROWN
 FINISH
 HANDRAILS ARE TOUGH BAKED IN POWDER
 COATED YELLOW FINISH

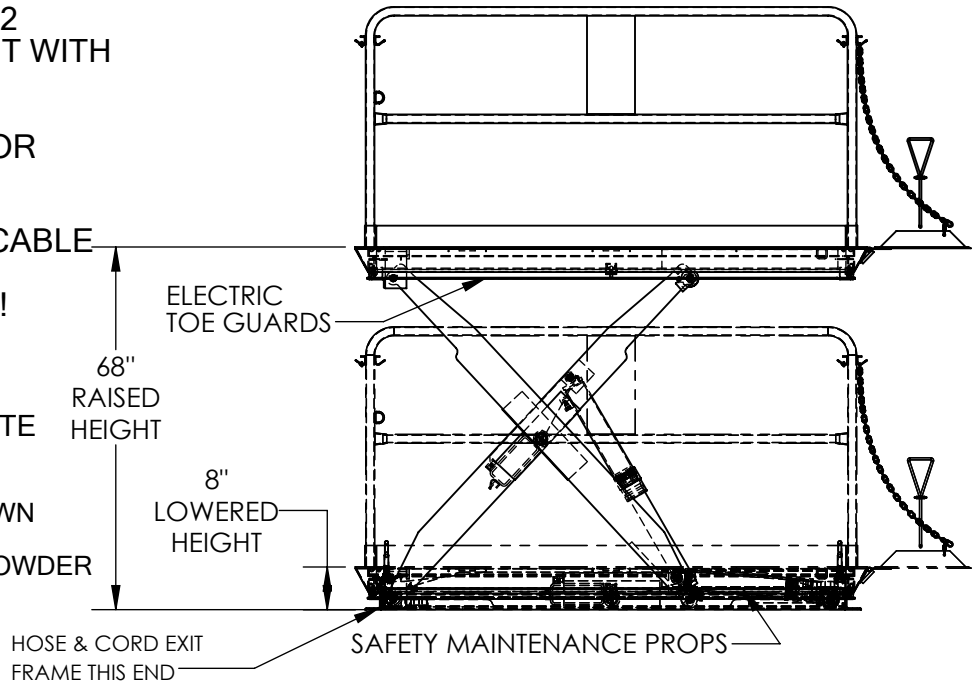
DIMENSION TOLERANCE ± 1/4"

SPECIAL FEATURES

NONE



** STANDARD UNIT NOT INTENDED FOR SIDE CROSS LOAD **



HYDRAULIC UNIT
 OVERALL DIMENSIONS
 14"W x 33"L x 31"H
 (COMES W/ 8FT HOSE)

POWER	AC	DC (12V)	AIR/OIL
MOTOR VOLTAGE	115	208	230 460
DEDICATED CIRCUIT REQUIRED 60HZ			
MOTOR PHASE	SINGLE	THREE	
CONTROL	HAND	FOOT	



APPROVAL

I, THE UNDERSIGNED, AGREE THAT THE PRODUCT AS REPRESENTED SATISFIES DESIGN AND DIMENSION REQUIREMENTS. I ALSO ACKNOWLEDGE MY DUTY TO CONFIRM PRODUCT AND INSTALLATION COMPLIANCE WITH ALL APPLICABLE FEDERAL, STATE AND LOCAL REGULATIONS AND STANDARDS.
UNITS REQUIRING APPROVAL DRAWINGS OR MODIFIED ARE NON-RETURNABLE
 As drawn As marked

Signed: _____ Date: _____

Printed Name: _____

LEAD TIME WILL START UPON RECEIPT OF SIGNED APPROVAL DRAWING

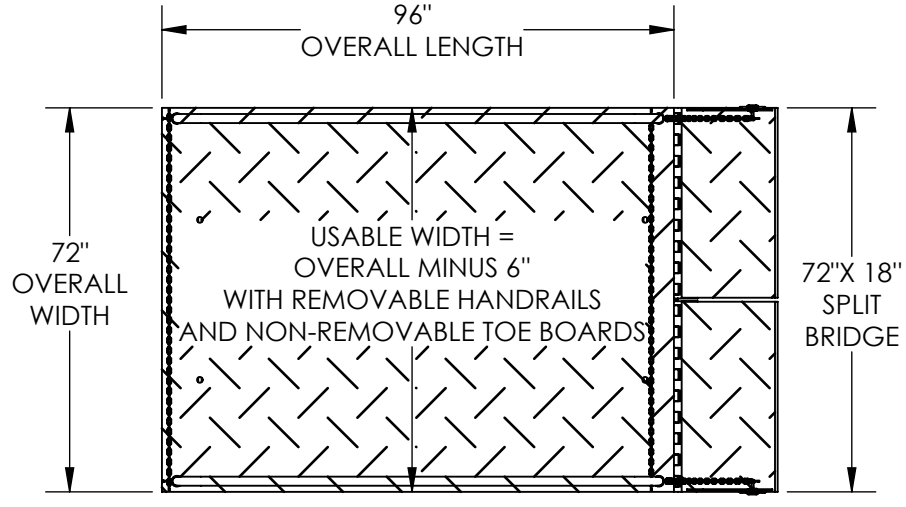
DISTRIBUTOR'S NAME:		P.O.#	
HOF EQUIPMENT COMPANY		X	
PH: 888.990.1150		W.O.#	
DRAWN BY: DLS		DATE: 5/1/2015	SALES: X
REFERENCE: X	SCALE: 1:36		FILE NAME:
QUOTED LEAD TIME: X	QUOTE #	05-007-300	
	X		

PREMIUM TRUCK SCISSOR DOCK LIFT - WL-100-5-68

ANY ADDITIONS, DELETIONS, OR OMISSIONS MUST BE CORRECTED ON THIS DRAWING AS THIS DRAWING WILL BE CONSIDERED ALL INCLUSIVE
 ALL GRAPHICS PROVIDED ARE FOR REFERENCE ONLY. IF CERTAIN DIMENSIONS ARE CRITICAL PLEASE VERIFY THOSE DIMENSIONS WITH YOUR SALESPERSON

STANDARD FEATURES

MODEL NUMBER: WL-100-5-68
 UNIT TO BE MOUNTED: AT SURFACE OR IN PIT (CIRCLE ONE)
 CAPACITY (EVENLY DISTRIBUTED): 5,000 LBS
 OVERALL PLATFORM SIZE: (72" X 96")
 RAISED HEIGHT 68" ± 2"
 LOWERED HEIGHT: 8"
 REMOVABLE HANDRAILS AND 4"NON-REMOVABLE TOE BOARDS 45" HT W/ 21" MID-RAIL
 TRUCK BRIDGE IS 72" W X 18" L AT ROLLER END W/ CHAINS & HANDLES
 FRAME SIZE IS: 62" W X 93" L
 SHIPPING WT APPROX: 3200 LBS ±
 6 1/2 HP EXTERNAL POWER UNIT (SEE BOTTOM OF PAGE)
 W/ 8' OF HYDRAULIC HOSE
 -CONTROL IS HANDHELD, 2 BUTTON, NEMA 4 PENDANT WITH 4'-20' USABLE COIL CORD
 REFER TO THE UNIT'S ELECTRICAL DIAGRAM FOR ELECTRICAL SERVICE REQUIREMENTS
 -INSTALL TO MEET ALL APPLICABLE STATE & LOCAL CODES FOR YOUR AREA!
 5" BEVELED TOE GUARD
 ARCHITECTURAL REVIEW FOR CORRECTNESS OF PIT AND FOR COMPLIANCE TO LOCAL AND STATE CODES IS RECOMMENDED.
 UNIT IS DURABLE LIQUID PAINT BROWN FINISH
 HANDRAILS ARE TOUGH BAKED IN POWDER COATED YELLOW FINISH



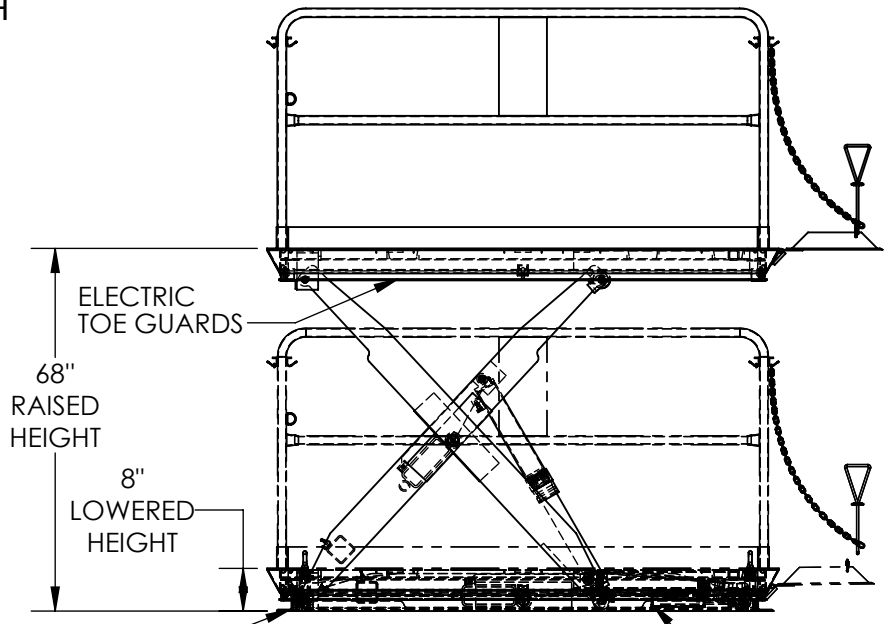
** STANDARD UNIT NOT INTENDED FOR SIDE CROSS LOAD **

DIMENSION TOLERANCE ± 1/4"

SPECIAL FEATURES

NONE

HOSE & CORD EXIT FRAME THIS END



HYDRAULIC UNIT OVERALL DIMENSIONS 14"W x 33"L x 31"H (COMES W/ 8FT HOSE)

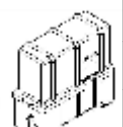
A P P R O V A L

I, THE UNDERSIGNED, AGREE THAT THE PRODUCT AS REPRESENTED SATISFIES DESIGN AND DIMENSION REQUIREMENTS. I ALSO ACKNOWLEDGE MY DUTY TO CONFIRM PRODUCT AND INSTALLATION COMPLIANCE WITH ALL APPLICABLE FEDERAL, STATE AND LOCAL REGULATIONS AND STANDARDS.
UNITS REQUIRING APPROVAL DRAWINGS OR MODIFIED ARE NON-RETURNABLE
 As drawn As marked

Signed: _____ Date: _____
 Printed Name: _____
 LEAD TIME WILL START UPON RECEIPT OF SIGNED APPROVAL DRAWING

POWER	AC	DC (12V)	AIR/OIL
MOTOR VOLTAGE	115	208	230 460
DEDICATED CIRCUIT REQUIRED 60HZ			
MOTOR PHASE	SINGLE	THREE	
CONTROL	HAND	FOOT	

DISTRIBUTOR'S NAME:		P.O.#	
HOF EQUIPMENT COMPANY		X	
PH: 888.990.1150		W.O.#	
X		X	
DRAWN BY:	DLS	DATE:	5/1/2015
REFERENCE:	X	SCALE:	1:36
QUOTED LEAD TIME:	X	QUOTE #	X
			FILE NAME:
			05-007-301



PREMIUM TRUCK SCISSOR DOCK LIFT - WL-100-5-78

ANY ADDITIONS, DELETIONS, OR OMISSIONS MUST BE CORRECTED ON THIS DRAWING AS THIS DRAWING WILL BE CONSIDERED ALL INCLUSIVE
 ALL GRAPHICS PROVIDED ARE FOR REFERENCE ONLY. IF CERTAIN DIMENSIONS ARE CRITICAL PLEASE VERIFY THOSE DIMENSIONS WITH YOUR SALESPERSON

STANDARD FEATURES

MODEL NUMBER: WL-100-5-78
 UNIT TO BE MOUNTED: AT SURFACE OR IN PIT (CIRCLE ONE)
 CAPACITY (EVENLY DISTRIBUTED): 5,000 LBS
 OVERALL PLATFORM SIZE: (84" X 96")
 RAISED HEIGHT 68" ± 2"
 LOWERED HEIGHT: 8"
 REMOVABLE HANDRAILS AND 4" NON-REMOVABLE TOE BOARDS 45" HT W/ 21" MID-RAIL
 TRUCK BRIDGE IS 72" W X 18" L AT ROLLER END W/ CHAINS & HANDLES
 FRAME SIZE IS: 62" W X 93" L
 SHIPPING WT APPROX: 3400 LBS ±
 6 1/2 HP EXTERNAL POWER UNIT (SEE BOTTOM OF PAGE)
 W/ 8' OF HYDRAULIC HOSE
 -CONTROL IS HANDHELD, 2 BUTTON, NEMA 4 PENDANT WITH 4'-20' USABLE COIL CORD
 REFER TO THE UNIT'S ELECTRICAL DIAGRAM FOR ELECTRICAL SERVICE REQUIREMENTS
 -INSTALL TO MEET ALL APPLICABLE STATE & LOCAL CODES FOR YOUR AREA!
 5" BEVELED TOE GUARD
 ARCHITECTURAL REVIEW FOR CORRECTNESS OF PIT AND FOR COMPLIANCE TO LOCAL AND STATE CODES IS RECOMMENDED.

UNIT IS DURABLE LIQUID PAINT BROWN FINISH
 HANDRAILS ARE TOUGH BAKED IN POWDER COATED YELLOW FINISH

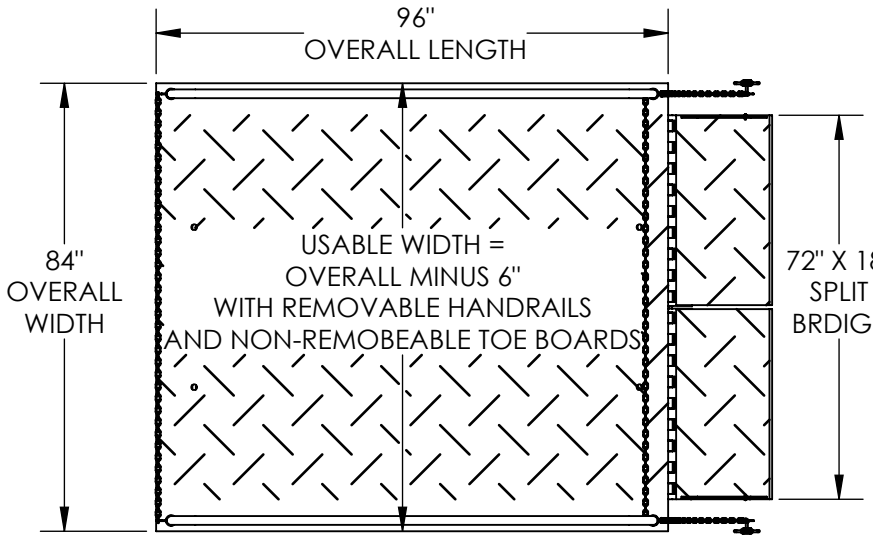
DIMENSION TOLERANCE ± 1/4"

SPECIAL FEATURES

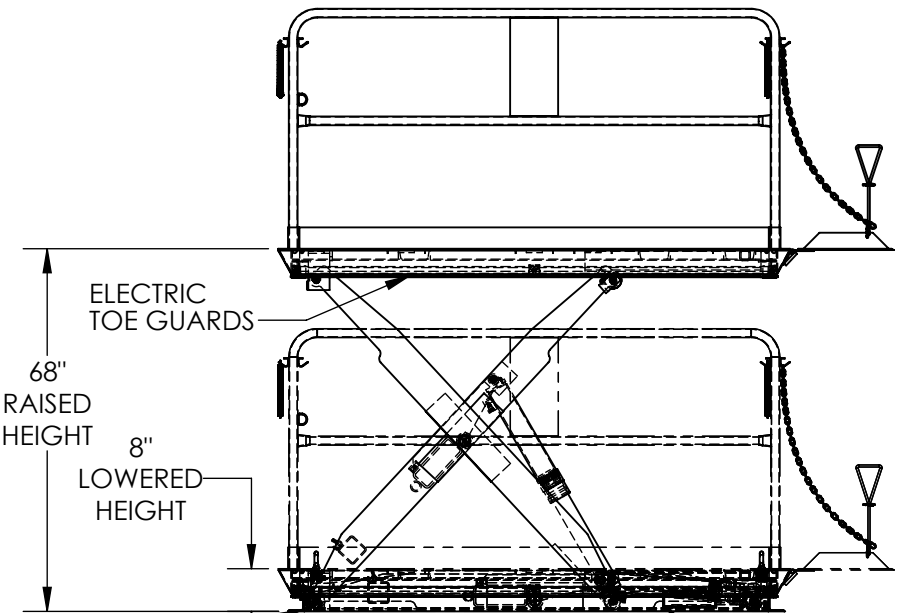
NONE

HOSE & CORD EXIT FRAME THIS END

HYDRAULIC UNIT OVERALL DIMENSIONS 14"W x 33"L x 31"H (COMES W/ 8FT HOSE)



** STANDARD UNIT NOT INTENDED FOR SIDE CROSS LOAD **



POWER	AC	DC (12V)	AIR/OIL
MOTOR VOLTAGE	115	208	230 460
DEDICATED CIRCUIT REQUIRED 60HZ			
MOTOR PHASE	SINGLE	THREE	
CONTROL	HAND	FOOT	

A P P R O V A L

I, THE UNDERSIGNED, AGREE THAT THE PRODUCT AS REPRESENTED SATISFIES DESIGN AND DIMENSION REQUIREMENTS. I ALSO ACKNOWLEDGE MY DUTY TO CONFIRM PRODUCT AND INSTALLATION COMPLIANCE WITH ALL APPLICABLE FEDERAL, STATE AND LOCAL REGULATIONS AND STANDARDS.
UNITS REQUIRING APPROVAL DRAWINGS OR MODIFIED ARE NON-RETURNABLE
 As drawn As marked

Signed: _____ Date: _____
 Printed Name: _____

LEAD TIME WILL START UPON RECEIPT OF SIGNED APPROVAL DRAWING

DISTRIBUTOR'S NAME: **HOF EQUIPMENT COMPANY** P.O.# X
 PH: 888.990.1150 W.O.# X

DRAWN BY: SJG DATE: 11/28/2018 SALES: X

REFERENCE: X SCALE: 1:36 FILE NAME: 05-007-302

QUOTED LEAD TIME: X QUOTE # X



PREMIUM TRUCK SCISSOR DOCK LIFT - WL-100-5-88

ANY ADDITIONS, DELETIONS, OR OMISSIONS MUST BE CORRECTED ON THIS DRAWING AS THIS DRAWING WILL BE CONSIDERED ALL INCLUSIVE
 ALL GRAPHICS PROVIDED ARE FOR REFERENCE ONLY. IF CERTAIN DIMENSIONS ARE CRITICAL PLEASE VERIFY THOSE DIMENSIONS WITH YOUR SALESPERSON

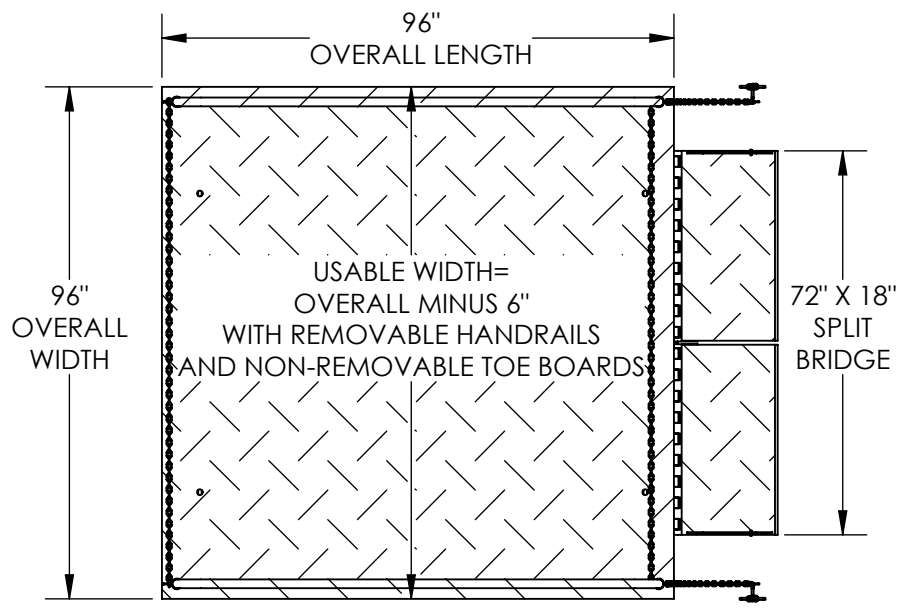
STANDARD FEATURES

MODEL NUMBER: WL-100-5-88
 UNIT TO BE MOUNTED: AT SURFACE OR IN PIT (CIRCLE ONE)
 CAPACITY (EVENLY DISTRIBUTED): 5,000 LBS
 OVERALL PLATFORM SIZE: (96" X 96")
 RAISED HEIGHT 68" ± 2"
 LOWERED HEIGHT: 8"
 REMOVABLE HANDRAILS AND 4"NON-REMOVABLE TOE BOARDS 45" HT W/ 21" MID-RAIL
 TRUCK BRIDGE IS 72" W X 18" L AT ROLLER END W/ CHAINS & HANDLES
 FRAME SIZE IS: 86 1/2" W X 93" L
 SHIPPING WT APPROX: 3700 LBS ±
 6 1/2 HP EXTERNAL POWER UNIT (SEE BOTTOM OF PAGE)
 W/ 8' OF HYDRAULIC HOSE
 -CONTROL IS HANDHELD, 2 BUTTON, NEMA 4 PENDANT WITH 4'-20' USABLE COIL CORD
 REFER TO THE UNIT'S ELECTRICAL DIAGRAM FOR ELECTRICAL SERVICE REQUIREMENTS
 -INSTALL TO MEET ALL APPLICABLE STATE & LOCAL CODES FOR YOUR AREA!
 5" BEVELED TOE GUARD
 ARCHITECTURAL REVIEW FOR CORRECTNESS OF PIT AND FOR COMPLIANCE TO LOCAL AND STATE CODES IS RECOMMENDED.

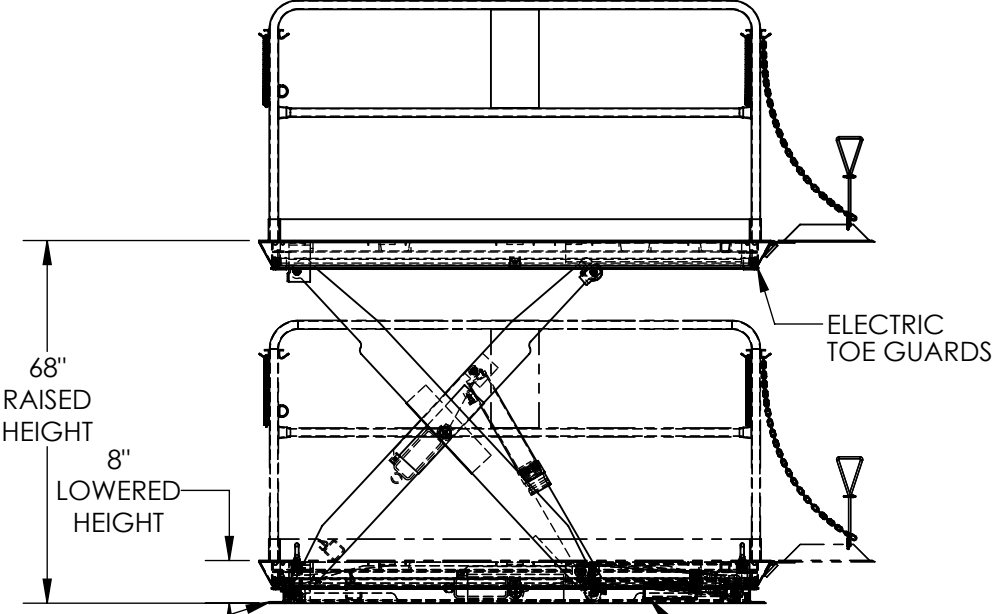
UNIT IS DURABLE LIQUID PAINT BROWN FINISH
 HANDRAILS ARE TOUGH BAKED IN POWDER COATED YELLOW FINISH

DIMENSION TOLERANCE ± 1/4"

SPECIAL FEATURES
 NONE



** STANDARD UNIT NOT INTENDED FOR SIDE CROSS LOAD **



HOSE & CORD EXIT FRAME THIS END

SAFETY MAINTENANCE PROPS

HYDRAULIC UNIT OVERALL DIMENSIONS
 14"W x 33"L x 31"H
 (COMES W/ 8FT HOSE)

A P P R O V A L

I, THE UNDERSIGNED, AGREE THAT THE PRODUCT AS REPRESENTED SATISFIES DESIGN AND DIMENSION REQUIREMENTS. I ALSO ACKNOWLEDGE MY DUTY TO CONFIRM PRODUCT AND INSTALLATION COMPLIANCE WITH ALL APPLICABLE FEDERAL, STATE AND LOCAL REGULATIONS AND STANDARDS.
UNITS REQUIRING APPROVAL DRAWINGS OR MODIFIED ARE NON-RETURNABLE
 As drawn As marked

Signed: _____ Date: _____

Printed Name: _____

LEAD TIME WILL START UPON RECEIPT OF SIGNED APPROVAL DRAWING

POWER	AC	DC (12V)	AIR/OIL
MOTOR VOLTAGE	115	208	230 460
DEDICATED CIRCUIT REQUIRED 60HZ			
MOTOR PHASE	SINGLE	THREE	
CONTROL	HAND	FOOT	



DISTRIBUTOR'S NAME:		P.O.#	
HOF EQUIPMENT COMPANY		X	
PH: 888.990.1150		W.O.#	
X		X	
DRAWN BY: SJG	DATE: 11/28/2018	SALES: X	
REFERENCE: X	SCALE: 1:36	FILE NAME:	
QUOTED LEAD TIME: X	QUOTE # X	05-007-303	

PREMIUM TRUCK SCISSOR DOCK LIFT - WL-100-5-610

ANY ADDITIONS, DELETIONS, OR OMISSIONS MUST BE CORRECTED ON THIS DRAWING AS THIS DRAWING WILL BE CONSIDERED ALL INCLUSIVE
 ALL GRAPHICS PROVIDED ARE FOR REFERENCE ONLY. IF CERTAIN DIMENSIONS ARE CRITICAL PLEASE VERIFY THOSE DIMENSIONS WITH YOUR SALESPERSON

STANDARD FEATURES

MODEL NUMBER: WL-100-5-610
 UNIT TO BE MOUNTED: AT SURFACE OR IN PIT (CIRCLE ONE)
 CAPACITY (EVENLY DISTRIBUTED): 5,000 LBS
 OVERALL PLATFORM SIZE: (72" X 120")
 RAISED HEIGHT 68" ± 2"
 LOWERED HEIGHT: 8"
 REMOVABLE HANDRAILS AND 4" NON-REMOVABLE TOE BOARDS 45" HT W/ 21" MID-RAIL
 TRUCK BRIDGE IS 72" W X 18" L AT ROLLER END W/ CHAINS & HANDLES
 FRAME SIZE IS: 62" W X 117" L
 SHIPPING WT APPROX: 3800 LBS ± 6 1/2 HP EXTERNAL POWER UNIT (SEE BOTTOM OF PAGE)

W/ 8' OF HYDRAULIC HOSE
 -CONTROL IS HANDHELD, 2 BUTTON, NEMA 4 PENDANT WITH 4'-20' USABLE COIL CORD
 REFER TO THE UNIT'S ELECTRICAL DIAGRAM FOR ELECTRICAL SERVICE REQUIREMENTS
 -INSTALL TO MEET ALL APPLICABLE STATE & LOCAL CODES FOR YOUR AREA!

5" BEVELED TOE GUARD
 ARCHITECTURAL REVIEW FOR CORRECTNESS OF PIT AND FOR COMPLIANCE TO LOCAL AND STATE CODES IS RECOMMENDED.

UNIT IS DURABLE LIQUID PAINT BROWN FINISH
 HANDRAILS ARE TOUGH BAKED IN POWDER COATED YELLOW FINISH

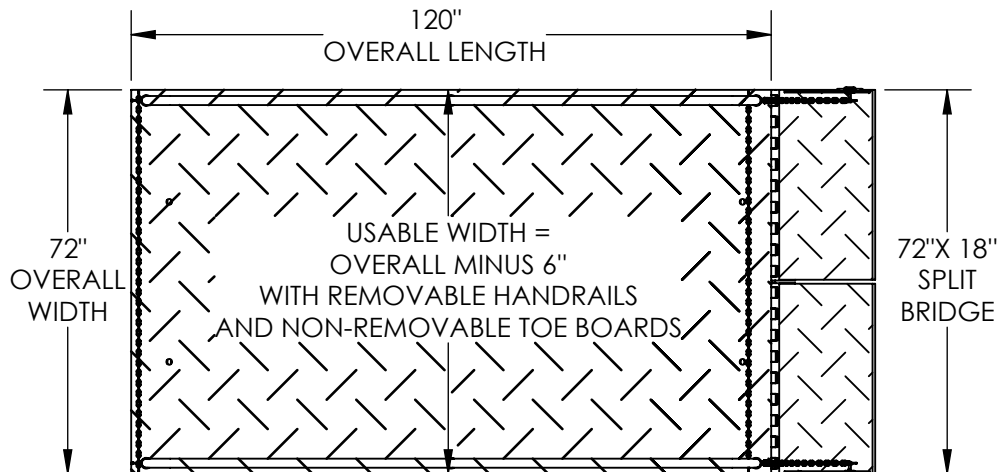
DIMENSION TOLERANCE ± 1/4"

SPECIAL FEATURES

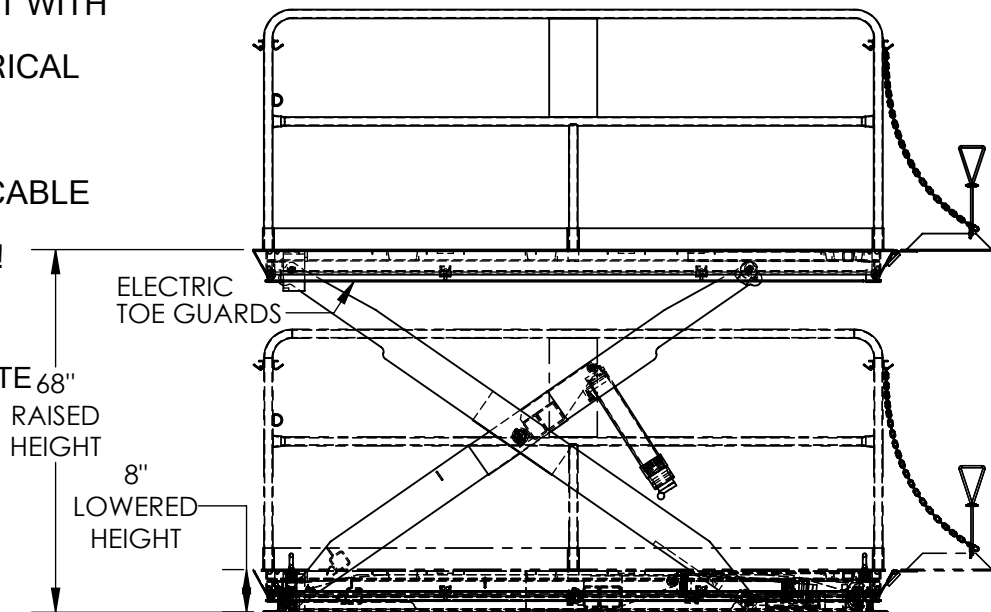
NONE

HOSE & CORD EXIT FRAME THIS END

HYDRAULIC UNIT OVERALL DIMENSIONS 14"W x 33"L x 31"H (COMES W/ 8FT HOSE)



** STANDARD UNIT NOT INTENDED FOR SIDE CROSS LOAD **



APPROVAL

I, THE UNDERSIGNED, AGREE THAT THE PRODUCT AS REPRESENTED SATISFIES DESIGN AND DIMENSION REQUIREMENTS. I ALSO ACKNOWLEDGE MY DUTY TO CONFIRM PRODUCT AND INSTALLATION COMPLIANCE WITH ALL APPLICABLE FEDERAL, STATE AND LOCAL REGULATIONS AND STANDARDS.
UNITS REQUIRING APPROVAL DRAWINGS OR MODIFIED ARE NON-RETURNABLE
 As drawn As marked

Signed: _____ Date: _____

Printed Name: _____

LEAD TIME WILL START UPON RECEIPT OF SIGNED APPROVAL DRAWING

POWER	AC	DC (12V)	AIR/OIL
MOTOR VOLTAGE	115	208	230 460
DEDICATED CIRCUIT REQUIRED 60HZ			
MOTOR PHASE	SINGLE	THREE	
CONTROL	HAND	FOOT	

DISTRIBUTOR'S NAME:		P.O.#	
HOF EQUIPMENT COMPANY		X	
PH: 888.990.1150		W.O.#	
DRAWN BY: DLS		DATE: 8/1/2016	SALES: X
REFERENCE: X	SCALE: 1:36		FILE NAME:
QUOTED LEAD TIME: X	QUOTE #	05-007-304	
	X		

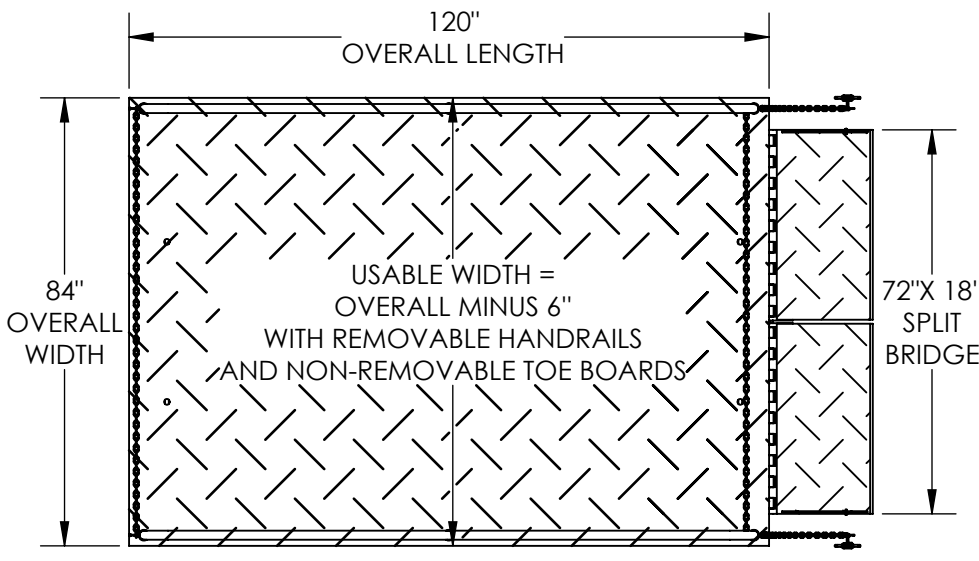


PREMIUM TRUCK SCISSOR DOCK LIFT - WL-100-5-710

ANY ADDITIONS, DELETIONS, OR OMISSIONS MUST BE CORRECTED ON THIS DRAWING AS THIS DRAWING WILL BE CONSIDERED ALL INCLUSIVE
 ALL GRAPHICS PROVIDED ARE FOR REFERENCE ONLY. IF CERTAIN DIMENSIONS ARE CRITICAL PLEASE VERIFY THOSE DIMENSIONS WITH YOUR SALESPERSON

STANDARD FEATURES

MODEL NUMBER: WL-100-5-710
 UNIT TO BE MOUNTED: AT SURFACE OR IN PIT (CIRCLE ONE)
 CAPACITY (EVENLY DISTRIBUTED): 5,000 LBS
 OVERALL PLATFORM SIZE: (84" X 120")
 RAISED HEIGHT 68" ± 2"
 LOWERED HEIGHT: 8"
 REMOVABLE HANDRAILS AND 4" NON-REMOVABLE TOE BOARDS 45" HT W/ 21" MID-RAIL
 TRUCK BRIDGE IS 72" W X 18" L AT ROLLER END W/ CHAINS & HANDLES
 FRAME SIZE IS: 62" W X 117" L
 SHIPPING WT APPROX: 4000 LBS ±
 6 1/2 HP EXTERNAL POWER UNIT (SEE BOTTOM OF PAGE)
 W/ 8' OF HYDRAULIC HOSE
 -CONTROL IS HANDHELD, 2 BUTTON, NEMA 4 PENDANT WITH 4'-20' USABLE COIL CORD
 REFER TO THE UNIT'S ELECTRICAL DIAGRAM FOR ELECTRICAL SERVICE REQUIREMENTS
 -INSTALL TO MEET ALL APPLICABLE STATE & LOCAL CODES FOR YOUR AREA!
 5" BEVELED TOE GUARD
 ARCHITECTURAL REVIEW FOR CORRECTNESS OF PIT AND FOR COMPLIANCE TO LOCAL AND STATE CODES IS RECOMMENDED.
 UNIT IS DURABLE LIQUID PAINT BROWN FINISH
 HANDRAILS ARE TOUGH BAKED IN POWDER COATED YELLOW FINISH

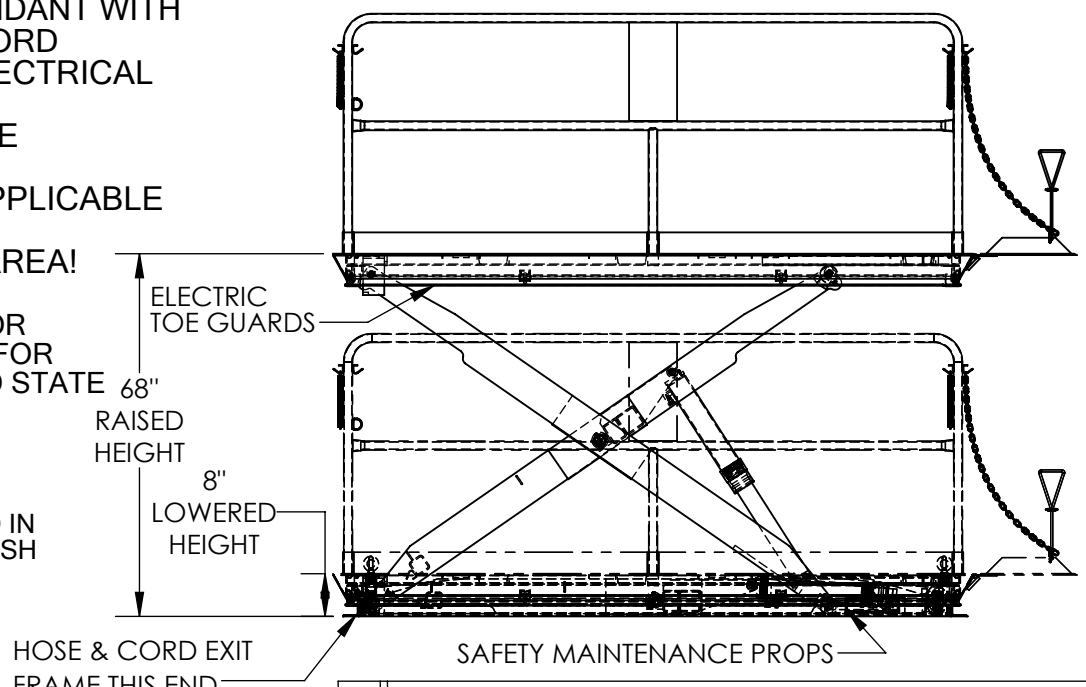


** STANDARD UNIT NOT INTENDED FOR SIDE CROSS LOAD **

DIMENSION TOLERANCE ± 1/4"

SPECIAL FEATURES

NONE



HYDRAULIC UNIT OVERALL DIMENSIONS 14"W x 33"L x 31"H (COMES W/ 8FT HOSE)

POWER	AC	DC (12V)	AIR/OIL
MOTOR VOLTAGE	115	208	230 460
DEDICATED CIRCUIT REQUIRED 60Hz			
MOTOR PHASE	SINGLE	THREE	
CONTROL	HAND	FOOT	

A P P R O V A L

I, THE UNDERSIGNED, AGREE THAT THE PRODUCT AS REPRESENTED SATISFIES DESIGN AND DIMENSION REQUIREMENTS. I ALSO ACKNOWLEDGE MY DUTY TO CONFIRM PRODUCT AND INSTALLATION COMPLIANCE WITH ALL APPLICABLE FEDERAL, STATE AND LOCAL REGULATIONS AND STANDARDS.
UNITS REQUIRING APPROVAL DRAWINGS OR MODIFIED ARE NON-RETURNABLE
 As drawn As marked

Signed: _____ Date: _____
 Printed Name: _____

LEAD TIME WILL START UPON RECEIPT OF SIGNED APPROVAL DRAWING

DISTRIBUTOR'S NAME: **HOF EQUIPMENT COMPANY**
 PH: 888.990.1150

DRAWN BY: DLS DATE: 10/12/2016

REFERENCE: X SCALE: 1:36

QUOTED LEAD TIME: X QUOTE # X

P.O.# X
 W.O.# X
 SALES: X
 FILE NAME: 05-007-305



SCISSOR DOCK LIFT - WL-100-5-810

STANDARD FEATURES

- MODEL NUMBER: WL-100-5-810
- UNIT TO BE MOUNTED: AT SURFACE OR IN PIT (CIRCLE ONE)
- CAPACITY (EVENLY DISTRIBUTED): 5,000 LBS
- AXLE END LOAD CAPACITY IS: 3,250 LBS
- AXLE SIDE LOAD CAPACITY IS: 2,750 LBS
- OVERALL PLATFORM SIZE: 8' (96") x 10' (120")
- USABLE PLATFORM SIZE: SEE DIAGRAM
- RAISED HEIGHT: 68"
- LOWERED HT: 8"
- REMOVABLE HANDRAILS 45" HT W/ 21" MIDRAIL
AND 4" TOEBOARD, TOE BOARDS ARE: NON-REMOVABLE
- TRUCK BRIDGE IS 72" W x 18" L
W RUN OFF GUARDS, CHAINS & HANDLES

SHIPPING WT IS: 4112 LBS

6½ HP POWER UNIT (SEE BOTTOM LEFT CORNER) W/ 8' OF HYDRAULIC HOSE

- 24 VAC HAND-HELD CONTROL ON A 4'-20' COIL CORD

REFER TO THE UNIT'S ELECTRICAL DIAGRAM FOR ELEC. SERVICE REQUIREMENTS

- INSTALL TO MEET ALL APPLICABLE STATE & LOCAL CODES FOR YOUR AREA!

5" BEVELED TOE GUARD WITH ELECTRIC TOE GUARD

- THE ELECTRIC TOE GUARD AND UPPER LIMIT SWITCH CIRCUITS MUST BE COMPLETED

BY INSTALLING AN 18/5 STD (OR EQUIV.) CABLE BETWEEN THE POWER UNIT

AND THE JUNCTION BOX LOCATED IN THE LIFT'S FRAME

UP SPEED AT FULL CAPACITY IS 4.3 SECONDS PER FOOT (@460 THREE PHASE)

FOR WARRANTY INFO SEE FORM WTY-91

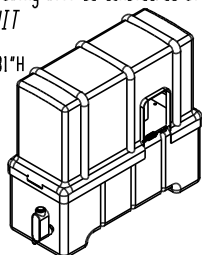
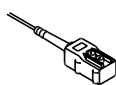
ARCHITECTURAL REVIEW FOR CORRECTNESS OF PIT AND FOR COMPLIANCE TO LOCAL AND STATE CODES IS RECOMMENDED.

* Optional Features: (Available at additional cost)

- Dual speed hydraulic pump
- 2 HP single or three-phase power unit
- 3 HP single-phase power unit (1½ GPM)
- 7½ HP three-phase power unit (4.5 GPM)
- 10 HP three-phase power unit (6 GPM)
- Control lockout key switch
- Warning beeper during travel
- Warning strobe during travel
- Oil immersion heater w/ t'stat
- Power cord with twist-lock plug
- Longer hydraulic hose length
- 50,000 lbs. rollover capacity (lowered height + 2")
- Flush removable handrails and toeboard
- Additional split steel bridge
- Split aluminum truck bridge
- Four-sided accordion skirt (customer installs)
- Wheel and dolly jack kit (6,000# max. capacity)
- Automatic wheel chocks
- Stop signal sign
- Steel approach ramp (___ " x ___ ")
- Cold galvanized deck and frame
- 115V single phase

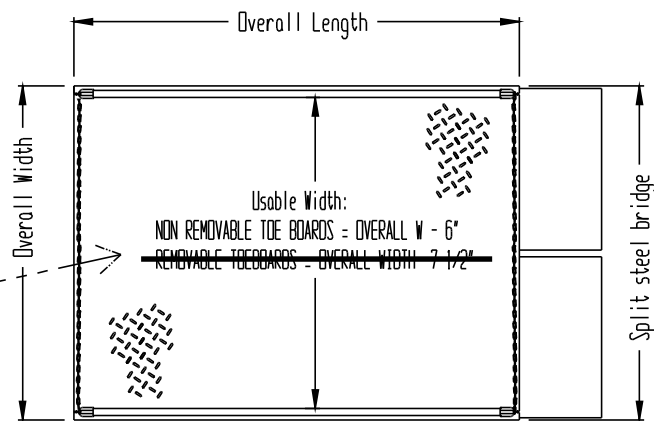
** Any additions, deletions or omissions must be corrected on this drawing, as this drawing will be considered all inclusive. **

REMOTE POWER UNIT
Overall dimensions
13-1/4" W x 33" L x 31" H
(Cone w/ 8' hose)

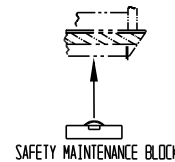
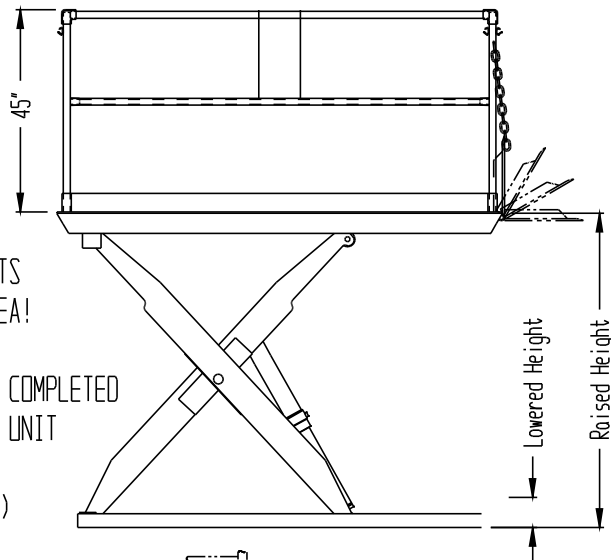


PLEASE CIRCLE SPECIFICATIONS:

MOTOR VOLTAGE	208	230	460
DEDICATED CIRCUIT REQUIRED			
MOTOR PHASE	- THREE		



***STANDARD UNIT NOT INTENDED FOR SIDE/CROSS LOADING



SAFETY MAINTENANCE BLOCK

PRODUCTION WILL START UPON RECEIPT OF SIGNED APPROVAL DRAWING

**SPECIAL UNITS ARE NON-RETURNABLE
*AVAILABLE AT ADDITIONAL COSTS

All graphics provided are for reference only.
If certain dimensions are critical please verify those dimensions with your salesperson

FOR INTERNAL USE ONLY PROJECT SIGN OFF	
SALES	
ENG	
FAB.	
POWER	

I, THE UNDERSIGNED, AGREE THAT THE PRODUCT AS REPRESENTED SATISFIES DESIGN & DIMENSION REQUIREMENTS. I ALSO ACKNOWLEDGE MY DUTY TO CONFIRM PRODUCT & INSTALLATION COMPLIANCE WITH ALL APPLICABLE FEDERAL, STATE AND LOCAL REGULATIONS & STANDARDS.
ANY MODIFIED UNITS ARE NON-RETURNABLE
() As drawn () As marked
Signed: _____ Date: _____
Printed Name: _____
LEAD TIME WILL START UPON RECEIPT OF SIGNED APPROVAL DRAWING

DISTRIBUTOR'S NAME: HOF EQUIPMENT COMPANY PH: 888.990.1150		P.D.#: -
DRAWN BY: -		DATE: -
REFERENCE: -	SCALE: 1:40	SALES: -
QUOTED LEADTIME: -	QUOTE #: -	DRWG. FILE NAME: 05-007-006