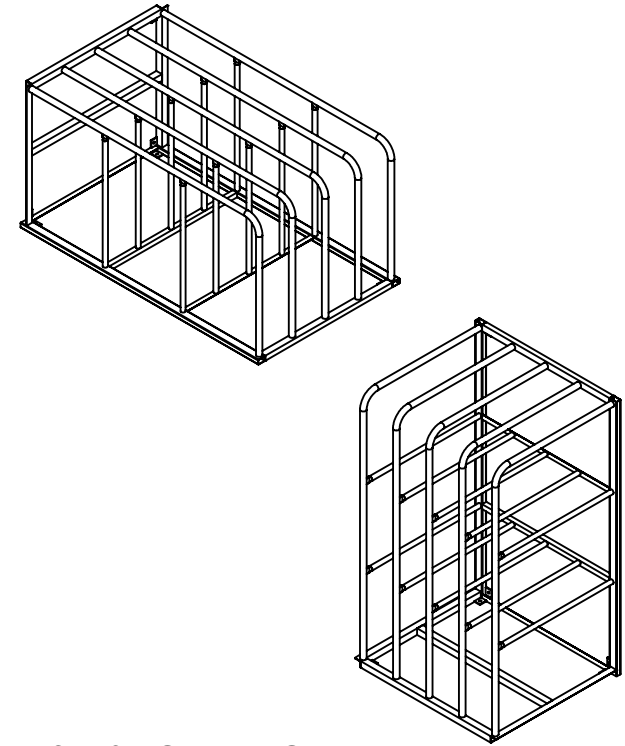
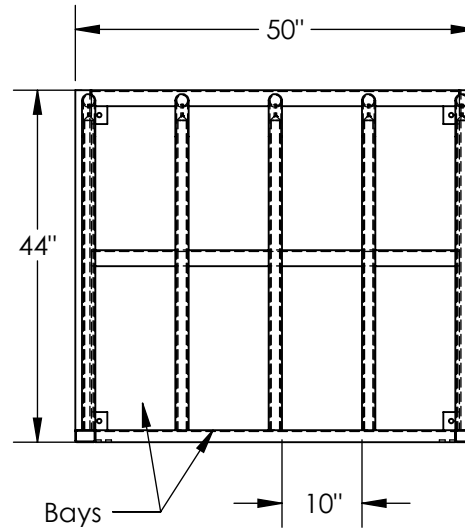
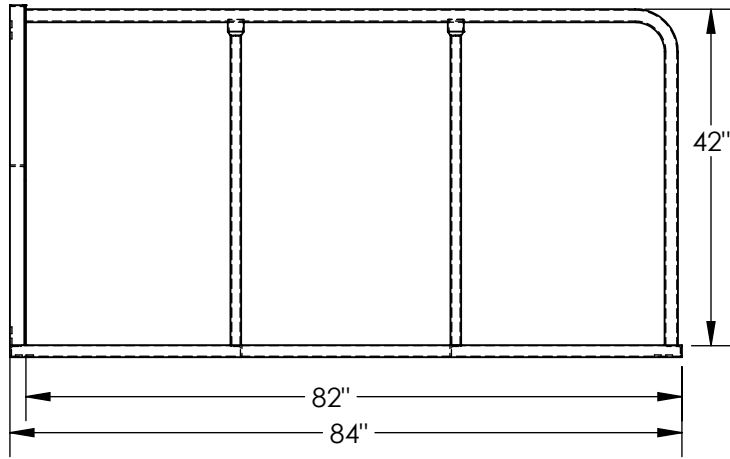


# STANDARD SHEET RACK - VSSR-15

APPROX WEIGHT: 266.18 lbs.  
 DOES NOT INCLUDE WEIGHT OF POWER OR PACKAGING!!!

\*\*\* ANY ADDITIONS, DELETIONS, OR OMISSIONS MUST BE CORRECTED ON THIS DRAWING AS THIS DRAWING WILL BE CONSIDERED ALL INCLUSIVE \*\*\*

ALL GRAPHICS PROVIDED ARE FOR REFERENCE ONLY. IF CERTAIN DIMENSIONS ARE CRITICAL PLEASE VERIFY THOSE DIMENSIONS WITH YOUR SALESPERSON



3D SHOWN FOR REFERENCE ONLY

DIMENSION TOLERANCE  $\pm 1/4"$

## STANDARD FEATURES

- MODEL NUMBER IS VSSR-15
- CAPACITY IS 1,500 LBS PER BAY
- OVERALL WIDTH: 50"
- USABLE BAY WIDTH: 10"
- OVERALL HEIGHT: 44"
- USABLE BAY HEIGHT: 42"
- OVERALL LENGTH: 84"
- USABLE BAY LENGTH: 82"
- NUMBER OF BAYS: 4
- SUPPLIED WITH 4 LAG DOWN BRACKETS (NOT SHOWN)
- TOUGH BAKED IN POWDER COAT BLUE FINISH

## SPECIAL FEATURES

NONE

<b>APPROVAL</b>	I, THE UNDERSIGNED, AGREE THAT THE PRODUCT AS REPRESENTED SATISFIES DESIGN AND DIMENSION REQUIREMENTS. I ALSO ACKNOWLEDGE MY DUTY TO CONFIRM PRODUCT AND INSTALLATION COMPLIANCE WITH ALL APPLICABLE FEDERAL, STATE AND LOCAL REGULATIONS AND STANDARDS.	
	<b>ANY MODIFIED UNITS ARE NON-RETURNABLE</b>	
	[ ] As drawn      [ ] As marked	
	Signed: _____	Date: _____
	Printed Name: _____	
<b>LEAD TIME WILL START UPON RECEIPT OF SIGNED APPROVAL DRAWING</b>		

FOR INTERNAL USE ONLY PROJECT SIGN OFF	
SALES	
ENG.	
FAB.	
POWER	

DISTRIBUTOR'S NAME:		P.O.#
<b>HOF EQUIPMENT COMPANY</b>		X
<b>PH: 888-990-1150</b>		W.O.#
		X
DRAWN BY:	ND	DATE: 7/30/08
REFERENCE:	X	SALES: X
QUOTED LEAD TIME:	X	SCALE: 1:24
	QUOTE #	FILE NAME:
	X	31-007-005