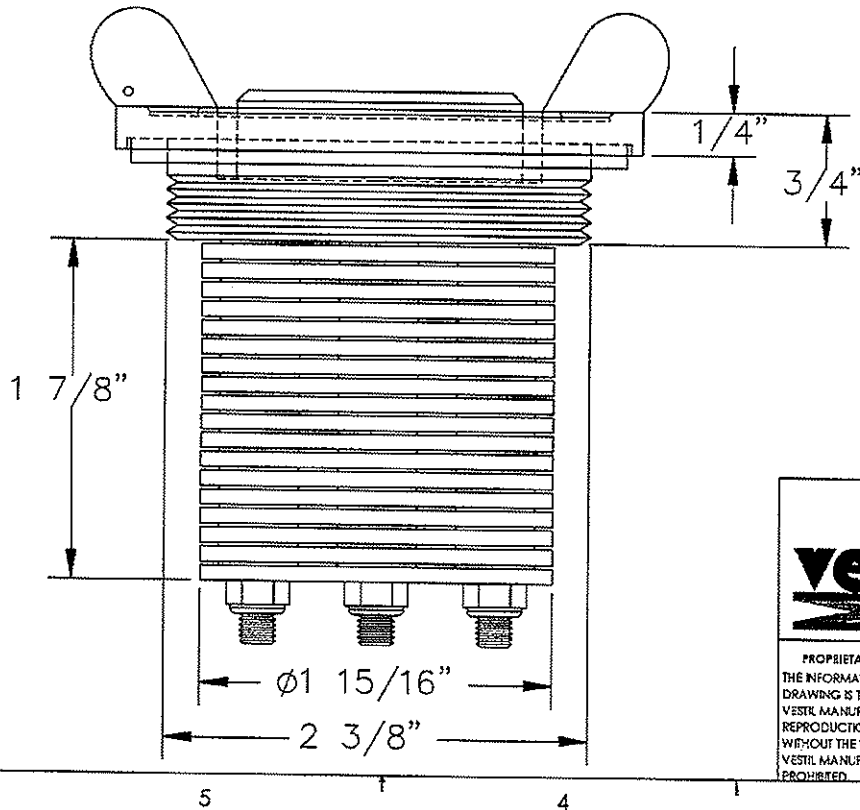
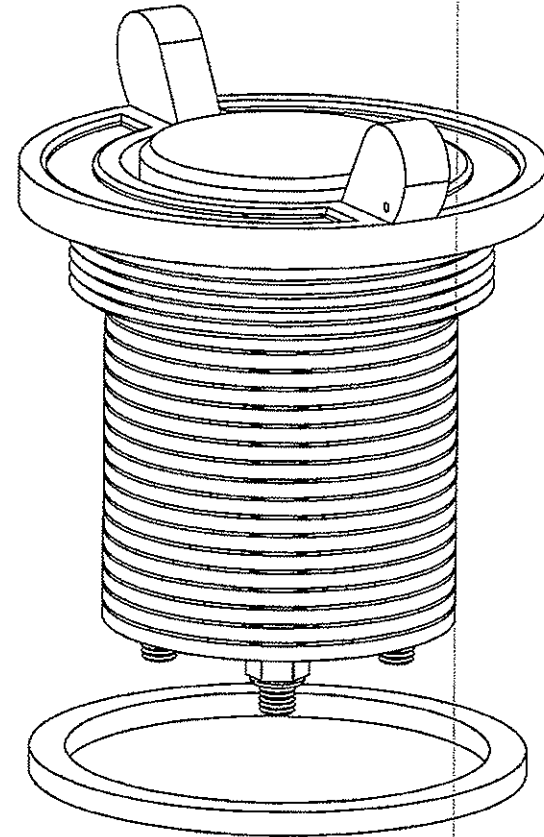
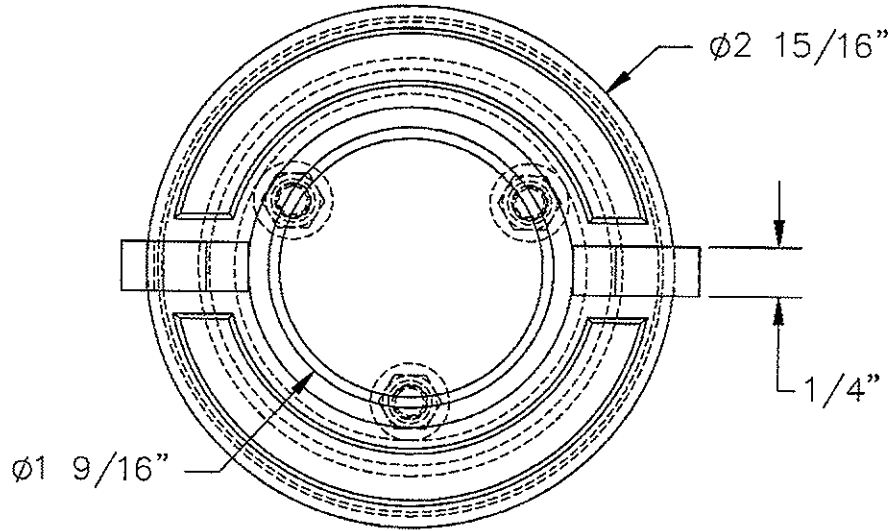


DWG NO: vent-v

LOCATION: C: TROY

MODEL: vent-v

WEIGHT:



Distributor:
HOF EQUIPMENT COMPANY
PH: 888-990-1150

Vestil Manufacturing Co.



PROPRIETARY AND CONFIDENTIAL
THE INFORMATION CONTAINED IN THIS
DRAWING IS THE SOLE PROPERTY OF
VESTIL MANUFACTURING CO. ANY
REPRODUCTION IN PART OR AS A WHOLE
WITHOUT THE WRITTEN PERMISSION OF
VESTIL MANUFACTURING CO. IS
PROHIBITED.

UNLESS OTHERWISE SPECIFIED:
REMOVE ALL BURRS AND SHARP EDGES

DIMENSIONS ARE IN INCHES

CONCENTRIC	.006 TIR	.060 TIR
ANGLES	± 0° 30'	± 1° 0'
DECIMALS	x.xxx ± .005 x.xx ± .010	
FRACTIONS	± 1/32	± 1/16
TOLERANCES	MACHINE	WELDMENT

COMMENTS:

DO NOT SCALE DRAWING

DESCRIPTION:
ASSEMBLY, VENT-V

MODEL NO: VENT-V

DRAWN BY: I.NEUENSCH	DATE 08/18/06	SCALE: 1:1	SIZE A
-------------------------	------------------	------------	------------------

CHECKED BY:	DATE	SHEET 1 OF 1	REV
-------------	------	--------------	-----

MATERIAL	DWG. NO. vent-v	REV
----------	---------------------------	-----