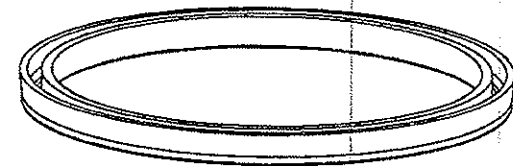
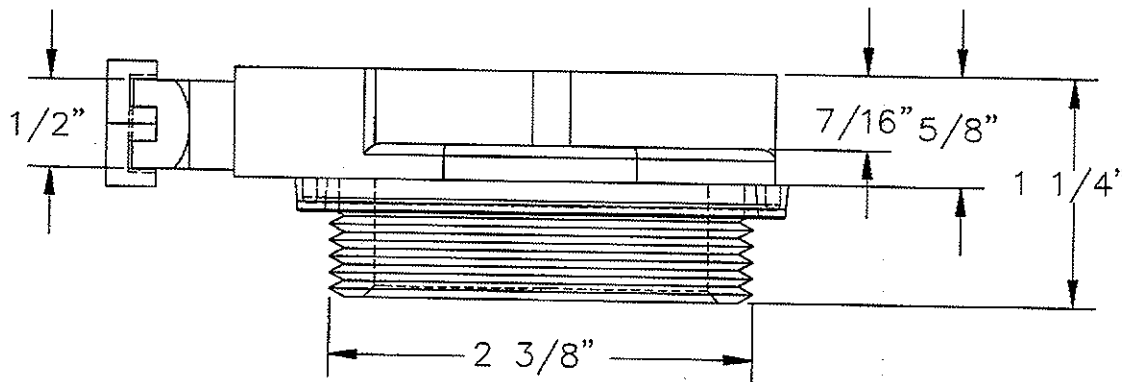
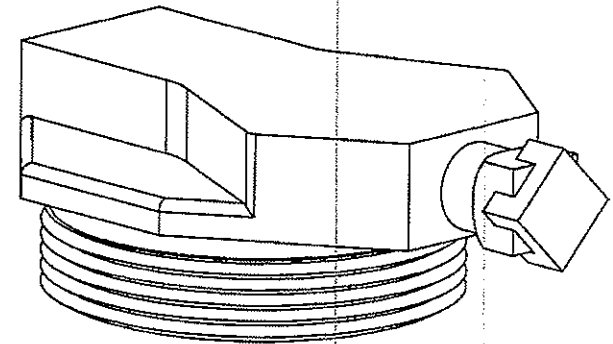
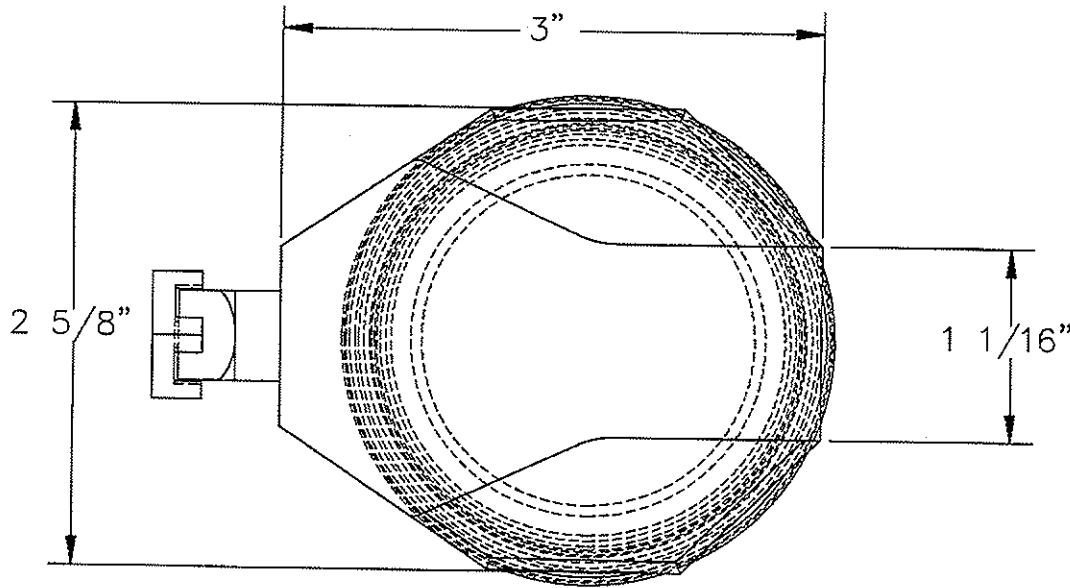


DWG NO: VENT-H ASSY

LOCATION: C:\TROY\

MODEL: VENT-H ASSY

WEIGHT:



Distributor:
 HOF EQUIPMENT COMPANY
 PH: 888-990-1150



PROPRIETARY AND CONFIDENTIAL
 THE INFORMATION CONTAINED IN THIS
 DRAWING IS THE SOLE PROPERTY OF
 VESTIL MANUFACTURING CO. ANY
 REPRODUCTION IN PART OR AS A WHOLE
 WITHOUT THE WRITTEN PERMISSION OF
 VESTIL MANUFACTURING CO. IS
 PROHIBITED.

UNLESS OTHERWISE SPECIFIED:
 REMOVE ALL BURRS AND SHARP EDGES

DIMENSIONS ARE IN INCHES

CONCENTRIC	.006 TIR	.060 TIR
ANGLES	± 0° 30'	± 1° 0'
	X.XXX ± .005	
	X.XX ± .010	
DECIMALS	X.X ± .025	± .015
FRACTIONS	± 1/32	± 1/16
TOLERANCES	MACHINE	WELDMENT
COMMENTS:		

DO NOT SCALE DRAWING

Vestil Manufacturing Co.

DESCRIPTION:
 ASSEMBLY, VENT-H

MODEL NO: VENT-H

DRAWN BY: T.NEIJENSCH	DATE: 08/18/06	SCALE: 1:1	SIZE A
CHECKED BY:	DATE:	SHEET 1 OF 1	REV
MATERIAL	DWG. NO. VENT-H ASSY		

5

4

3

2

1