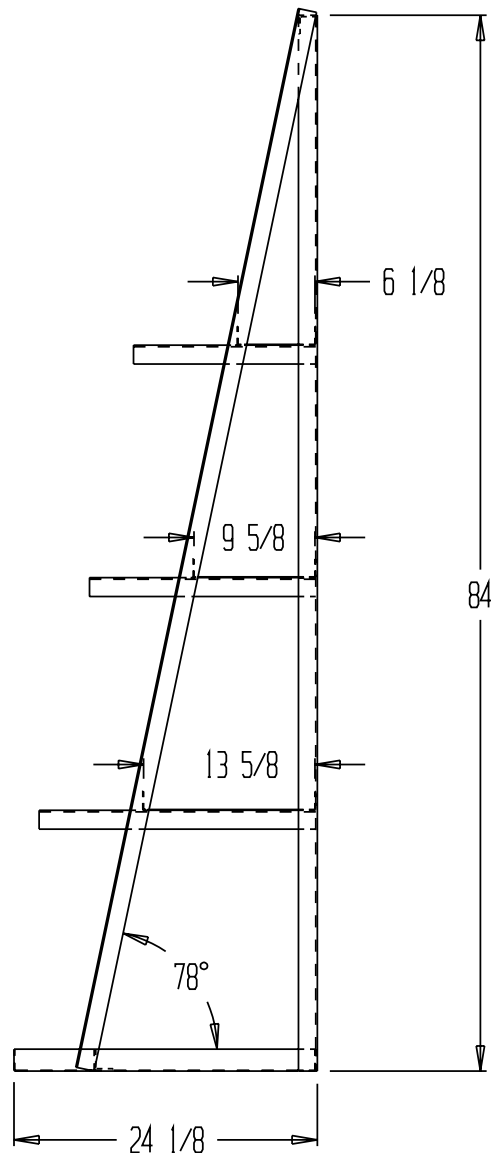
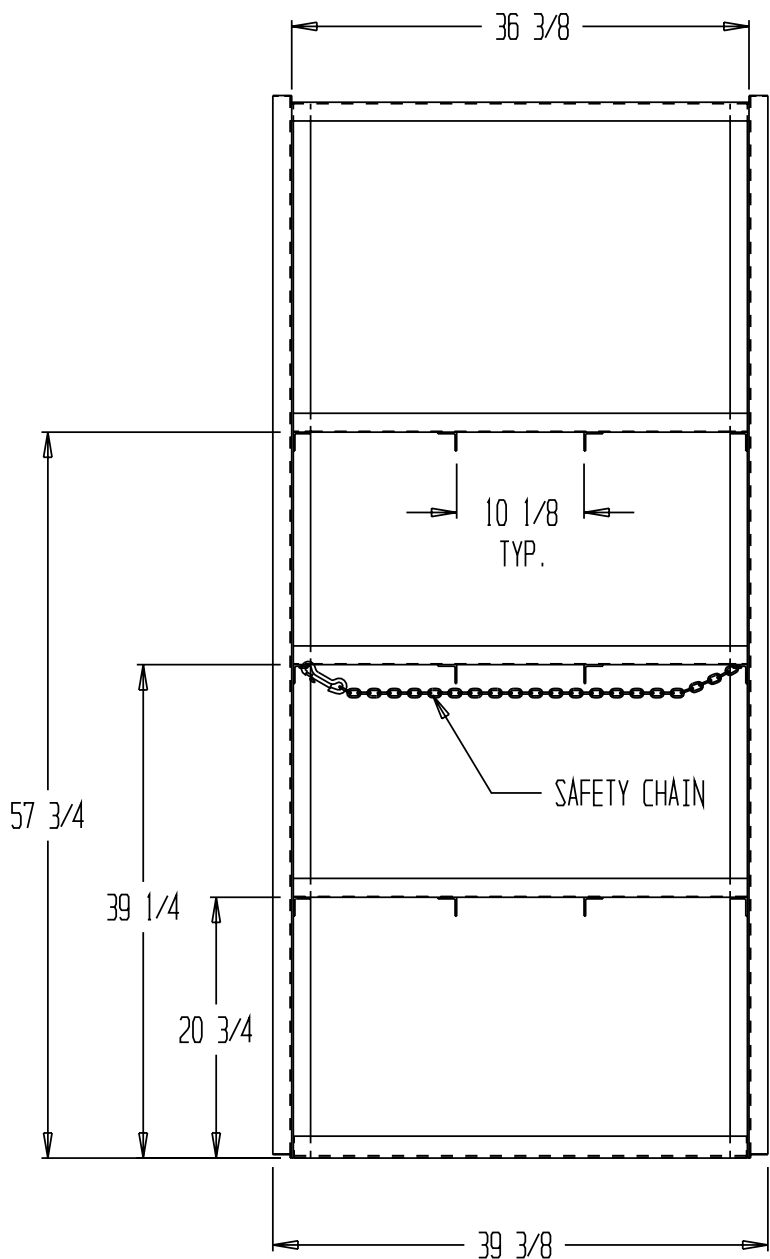


\*\*SPECIAL UNITS ARE NON-RETURNABLE  
 \*AVAILABLE AT ADDITIONAL COSTS

# VERTICAL STORAGE RACK, VBR-9



## STANDARD FEATURES

MODEL NUMBER: VBR-9  
 CAPACITY: 3,000 LBS. (EVENLY DISTRIBUTED)  
 NUMBER OF BAYS: 3  
 USABLE BAY WIDTH: 10 1/8"  
 OVERALL WIDTH: 39 3/8"  
 OVERALL DEPTH: 24 1/8"  
 OVERALL HEIGHT: 84"  
 UNIT MUST BE LAGGED DOWN BEFORE USE

## SPECIAL FEATURES

NONE

LEAD TIME WILL START UPON  
 RECEIPT OF SIGNED APPROVAL  
 DRAWING

## APPROVAL

I, the undersigned, hereby approve this print  
 As drawn     As marked  
 This includes my approval of design & dimensions.  
 Signed: \_\_\_\_\_  
 Date: \_\_\_\_\_

\*\*Any additions, deletions or omissions must  
 be corrected on this drawing, as this drawing  
 will be considered all inclusive.\*\*

\*\*\* ALL GRAPHICS PROVIDED ARE FOR REFERENCE ONLY. IF CERTAIN DIMENSIONS  
 ARE CRITICAL PLEASE VERIFY THOSE DIMENSIONS WITH YOUR SALESPERSON. \*\*\*

DISTRIBUTOR'S NAME:		P.O.#: -
HOF EQUIPMENT COMPANY PH: 888-990-1150		W.O.#: -
DRAWN BY: SR	DATE: 9-14-06	SALES: -
REFERENCE:	DRWG./FILE NAME:	
-	SCALE: 1:16	VBR-9