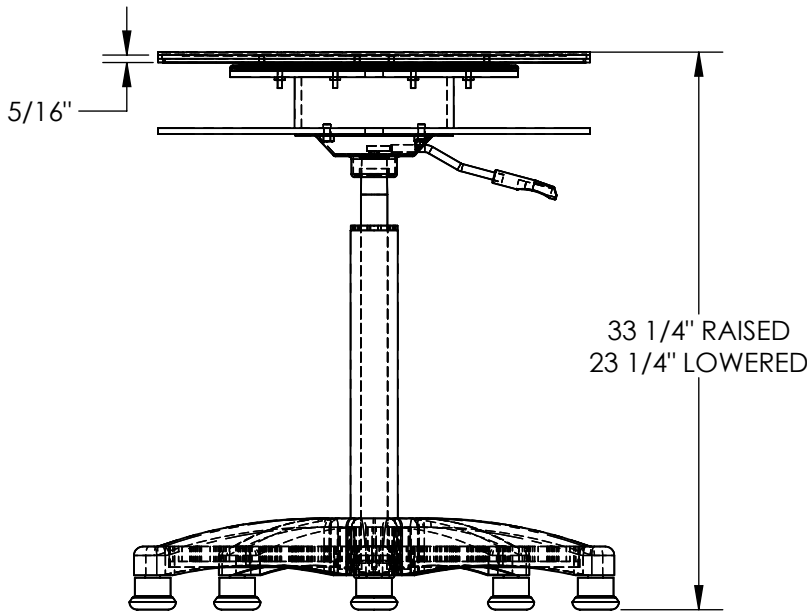
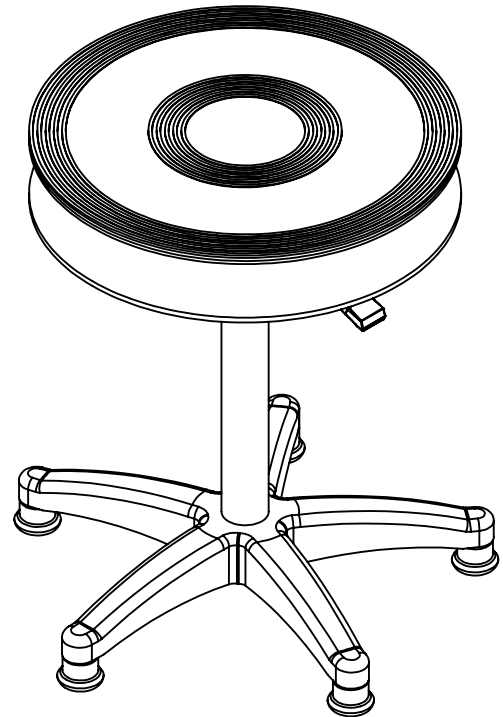
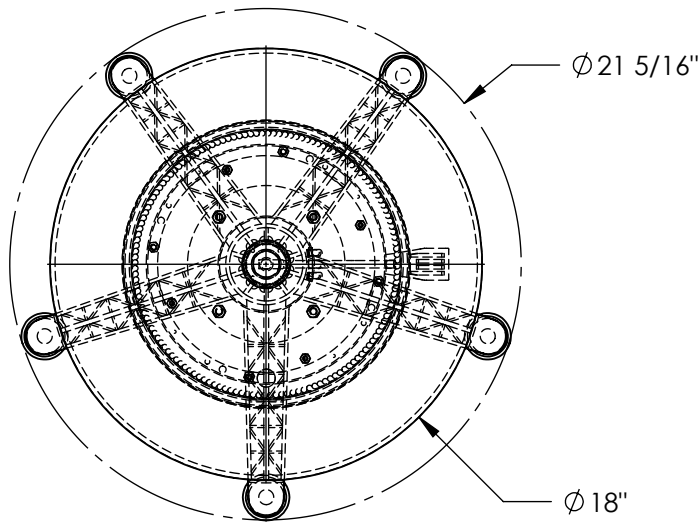


HEAVY-DUTY MANUAL TURNTABLE - TT-18-CDPED

APPROX WEIGHT: 67.40 lbs. DOES NOT INCLUDE WEIGHT OF POWER OR PACKAGING!!!
 ANY ADDITIONS, DELETIONS, OR OMISSIONS MUST BE CORRECTED ON THIS DRAWING AS THIS DRAWING WILL BE CONSIDERED ALL INCLUSIVE



ALL GRAPHICS PROVIDED ARE FOR REFERENCE ONLY. IF CERTAIN DIMENSIONS ARE CRITICAL PLEASE VERIFY THOSE DIMENSIONS WITH YOUR SALESPERSON

DIMENSION TOLERANCE $\pm 1/4"$

STANDARD FEATURES

- MODEL NUMBER IS TT-18-CDPED
- UNIFORM CAPACITY: 300 LBS
- TURNTABLE DIAMETER: $\varnothing 18"$
- RAISED HEIGHT: 33 1/4"
- LOWERED HEIGHT: 23 1/4"
- GAS CYLINDER MECHANISM HEIGHT ADJUSTMENT
- 5/16" TOP PLATE
- RUBBER COVER ON TOP PLATE
- BLUE LIQUID PAINT FINISH

SPECIAL FEATURES

NONE

| | |
|---|--|
| FOR INTERNAL USE ONLY PROJECT SIGN OFF | |
| SALES | |
| ENG. | |
| FAB. | |
| POWER | |

| | | |
|--|--|--|
| A P P R O V A L | I, THE UNDERSIGNED, AGREE THAT THE PRODUCT AS REPRESENTED SATISFIES DESIGN AND DIMENSION REQUIREMENTS. I ALSO ACKNOWLEDGE MY DUTY TO CONFIRM PRODUCT AND INSTALLATION COMPLIANCE WITH ALL APPLICABLE FEDERAL, STATE AND LOCAL REGULATIONS AND STANDARDS. | |
| | ANY MODIFIED UNITS ARE NON-RETURNABLE | |
| | [] As drawn [] As marked | |
| | Signed: _____ Date: _____ | |
| Printed Name: _____ | | |
| LEAD TIME WILL START UPON RECEIPT OF SIGNED APPROVAL DRAWING | | |

| | | |
|-----------------------|------------|------------|
| DISTRIBUTOR'S NAME: | | P.O.# |
| HOF EQUIPMENT COMPANY | | X |
| PH: 888-990-1150 | | W.O.# |
| DRAWN BY: WHR | | X |
| DATE: 11/23/11 | | SALES: X |
| REFERENCE: X | SCALE: 1:8 | FILE NAME: |
| QUOTED LEAD TIME: X | QUOTE # X | 20-007-060 |