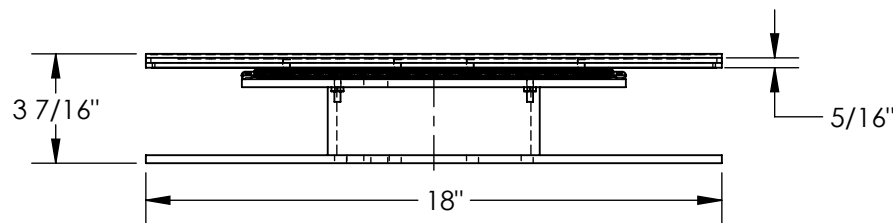
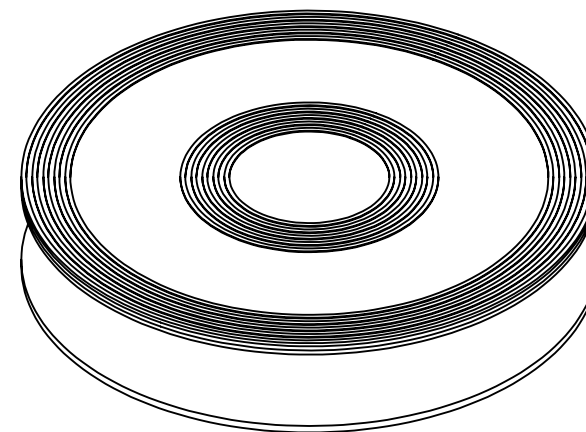
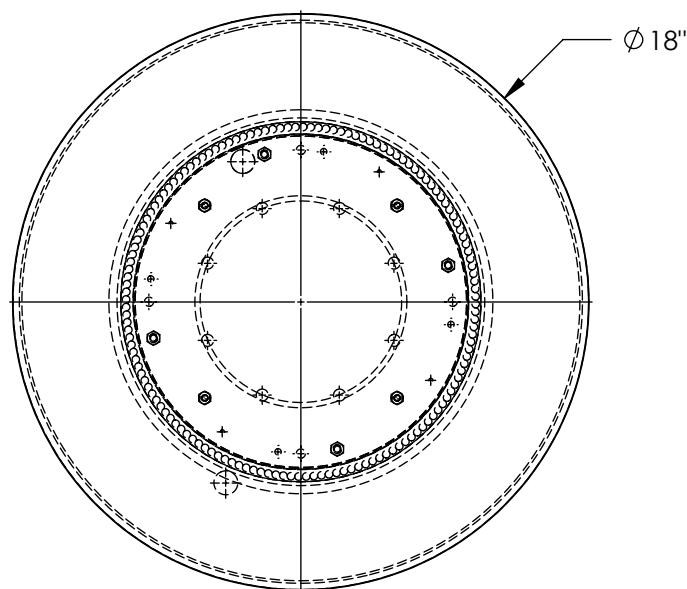


HEAVY DUTY MANUAL TURNTABLE - TT-18-4

APPROX WEIGHT: 54.58 lbs.
 DOES NOT INCLUDE WEIGHT OF POWER OR PACKAGING!!!

*** ANY ADDITIONS, DELETIONS, OR OMISSIONS MUST BE CORRECTED ON THIS DRAWING AS THIS DRAWING WILL BE CONSIDERED ALL INCLUSIVE ***

ALL GRAPHICS PROVIDED ARE FOR REFERENCE ONLY. IF CERTAIN DIMENSIONS ARE CRITICAL PLEASE VERIFY THOSE DIMENSIONS WITH YOUR SALESPERSON



DIMENSION TOLERANCE $\pm 1/4''$

STANDARD FEATURES

- MODEL NUMBER: TT-18-4
- UNIFORM CAPACITY: 500 LBS.
- TURNTABLE DIAMETER: $\varnothing 18''$
- OVERALL HEIGHT: $3 \frac{7}{16}''$
- $\frac{5}{16}''$ TOP PLATE
- RUBBER COVER ON TOP PLATE
- BLUE LIQUID PAINT FINISH

SPECIAL FEATURES

NONE

DIMENSION TOLERANCE $\pm 1/4''$

I, THE UNDERSIGNED, AGREE THAT THE PRODUCT AS REPRESENTED SATISFIES DESIGN AND DIMENSION REQUIREMENTS. I ALSO ACKNOWLEDGE MY DUTY TO CONFIRM PRODUCT AND INSTALLATION COMPLIANCE WITH ALL APPLICABLE FEDERAL, STATE AND LOCAL REGULATIONS AND STANDARDS.

ANY MODIFIED UNITS ARE NON-RETURNABLE

[] As drawn [] As marked

Signed: _____ Date: _____

Printed Name: _____

LEAD TIME WILL START UPON RECEIPT OF SIGNED APPROVAL DRAWING

FOR INTERNAL USE ONLY PROJECT SIGN OFF		DISTRIBUTOR'S NAME:		P.O.#
		HOF EQUIPMENT COMPANY		X
		PH: 888.990.1150		W.O.#
SALES		DRAWN BY: ADL	DATE: 08/01/05	X
ENG.		REFERENCE: X	SCALE: 1:6	SALES: X
FAB.		QUOTED LEAD TIME: X	QUOTE # X	FILE NAME:
POWER				20-007-056

SALES	
ENG.	
FAB.	
POWER	