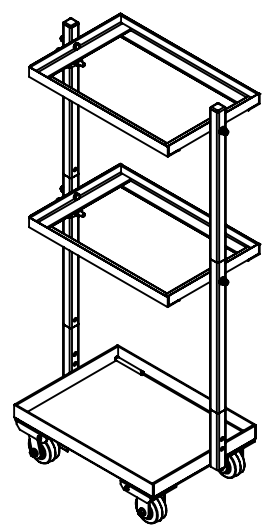
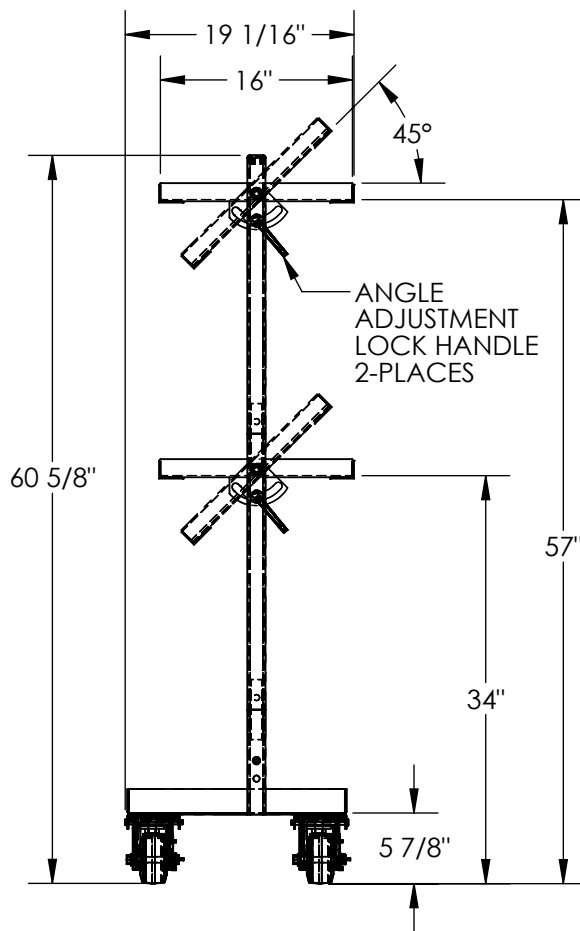
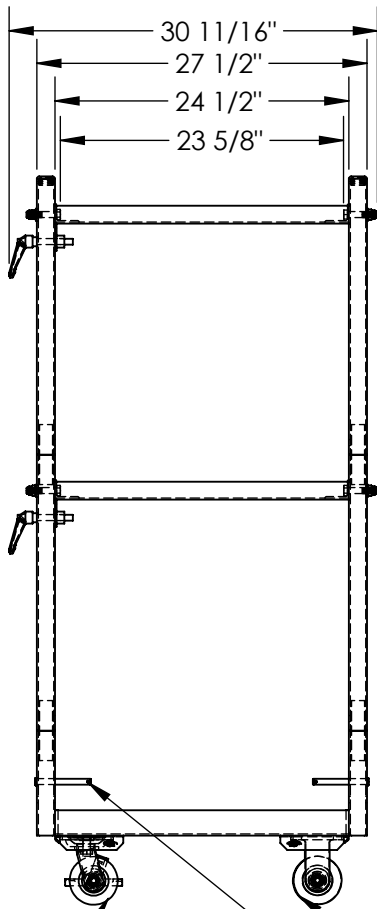


MULTI-TIER STOCK CARTS - TSCT-3

APPROX WEIGHT: 89.53 lbs.
 DOES NOT INCLUDE WEIGHT OF POWER OR PACKAGING!!!

ANY ADDITIONS, DELETIONS, OR OMISSIONS MUST BE CORRECTED ON THIS DRAWING AS THIS DRAWING WILL BE CONSIDERED ALL INCLUSIVE



3-D VIEW FOR REFERENCE ONLY

Ø4" X 2" MOLD-ON-RUBBER CASTERS QTY. 2 - RIGID
 PINS PROVIDED MAY BE INSERTED INTO THE HOLES TO SUPPORT THE BOTTOM OF A LOWER BIN (NOT PROVIDED) AND TILT IT FORWARD. FOR A LEVEL LOWER BIN PINS MAY BE STORED IN THE BASE FRAME
 Ø4" X 2" MOLD-ON-RUBBER CASTERS QTY. 2 - SWIVEL W/ BRAKE

FOR INTERNAL USE ONLY PROJECT SIGN OFF	
SALES	
ENG.	
FAB.	
POWER	

ALL GRAPHICS PROVIDED ARE FOR REFERENCE ONLY. IF CERTAIN DIMENSIONS ARE CRITICAL PLEASE VERIFY THOSE DIMENSIONS WITH YOUR SALESPERSON

DIMENSION TOLERANCE ± 1/4"

STANDARD FEATURES
 MODEL NUMBER IS TSCT-3
 OVERALL HEIGHT: 60 5/8"
 OVERALL WIDTH: 30 11/16"
 OVERALL DEPTH: 19 1/16"
 UPRIGHT TO UPRIGHT WIDTH: 24 1/2"
 USABLE SHELF SIZE: 16" x 23 5/8"
 UNIFORM STATIC CAPACITY: 300 LBS
 SHELF TILT: 45°
 INCLUDES (2) 4" x 2" RIGID CASTERS & (2) 4" x 2" SWIVEL W/BRAKE CASTERS
 TOUGH BAKED IN POWDER COATED BLUE FINISH

SPECIAL FEATURES
 NONE

APPROVAL	I, THE UNDERSIGNED, AGREE THAT THE PRODUCT AS REPRESENTED SATISFIES DESIGN AND DIMENSION REQUIREMENTS. I ALSO ACKNOWLEDGE MY DUTY TO CONFIRM PRODUCT AND INSTALLATION COMPLIANCE WITH ALL APPLICABLE FEDERAL, STATE AND LOCAL REGULATIONS AND STANDARDS.	
	ANY MODIFIED UNITS ARE NON-RETURNABLE	
	[] As drawn [] As marked	
	Signed: _____ Date: _____	
Printed Name: _____		
LEAD TIME WILL START UPON RECEIPT OF SIGNED APPROVAL DRAWING		

DISTRIBUTOR'S NAME:		P.O.#
HOF EQUIPMENT COMPANY		X
PH: 888-990-1150		W.O.#
		X
DRAWN BY: WHR	DATE: 07/23/2012	SALES: X
REFERENCE: X	SCALE: 1:16	FILE NAME:
QUOTED LEAD TIME: X	QUOTE # X	16-007-327