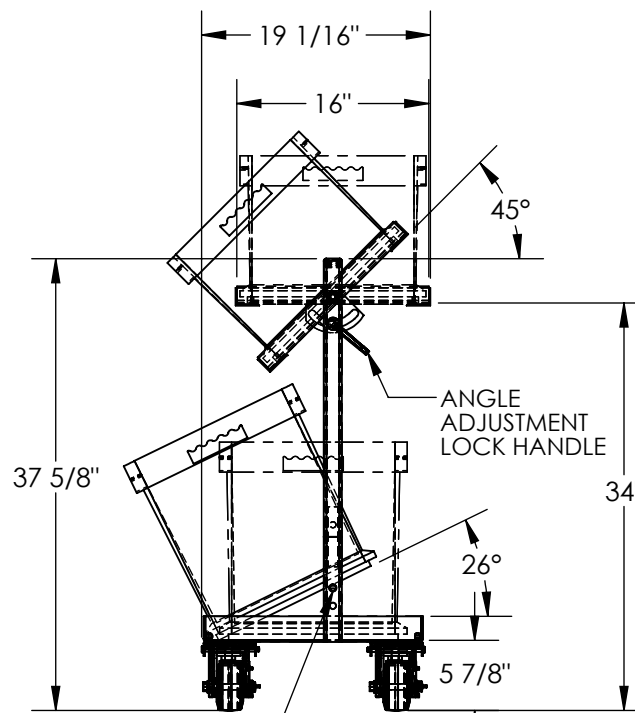
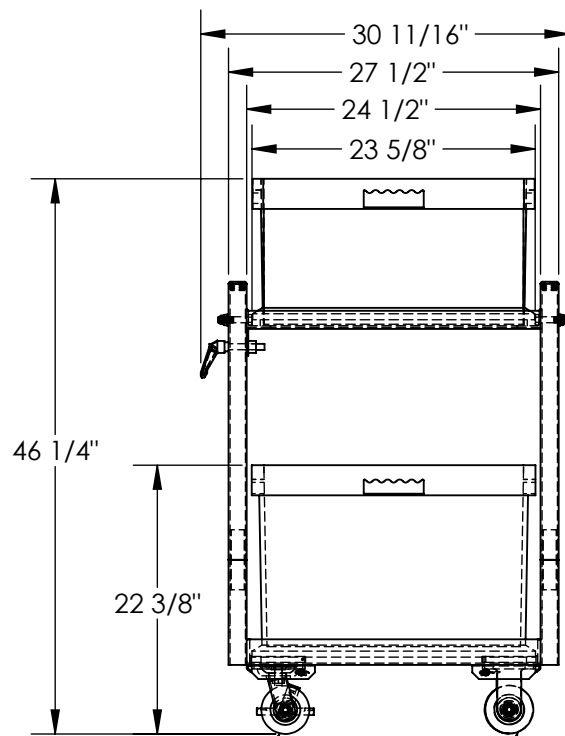


MULTI-TIER STOCK CART - TSCT-2B

APPROX WEIGHT: 70.30 lbs.
DOES NOT INCLUDE WEIGHT OF POWER OR PACKAGING!!!

*** ANY ADDITIONS, DELETIONS, OR OMISSIONS MUST BE CORRECTED ON THIS DRAWING AS THIS DRAWING WILL BE CONSIDERED ALL INCLUSIVE ***

ALL GRAPHICS PROVIDED ARE FOR REFERENCE ONLY. IF CERTAIN DIMENSIONS ARE CRITICAL PLEASE VERIFY THOSE DIMENSIONS WITH YOUR SALESPERSON



Ø4" X 2" MOLD-ON-RUBBER CASTERS
QTY. 2 - SWIVEL W/ BRAKE

PINS PROVIDED MAY BE
INSERTED INTO THE HOLES TO
SUPPORT THE BOTTOM
OF THE LOWER BIN AND TILT IT
FORWARD. FOR A LEVEL
LOWER BIN PINS MAY BE STORED
IN THE BASE FRAME

Ø4" X 2" MOLD-ON-RUBBER CASTERS
QTY. 2 - RIGID

3-D VIEW
SHOWN WITH LOWER
PINS INSTALLED

DIMENSION TOLERANCE ± 1/4"

STANDARD FEATURES

MODEL NUMBER IS TSCT-2B

OVERALL HEIGHT: 46 1/4"

OVERALL WIDTH: 30 11/16"

OVERALL DEPTH: 19 1/16"

UPRIGHT TO UPRIGHT WIDTH:

USABLE SHELF SIZE: 16" x 23 5/8"

UNIFORM STATIC CAPACITY: 200 LBS

SHELF TILT: 26°

INCLUDES (2) 4" x 2" RIGID CASTERS
& (2) 4" x 2" SWIVEL W/BRAKE CASTERS

INCLUDES (1) 15 1/2" X 23 1/2" X 16 1/2" BIN
AND (1) 15 1/2" X 23 1/2" X 12 1/2" BIN

TOUGH BAKED IN POWDER COATED
BLUE FINISH

SPECIAL FEATURES

NONE

APPROVAL	I, THE UNDERSIGNED, AGREE THAT THE PRODUCT AS REPRESENTED SATISFIES DESIGN AND DIMENSION REQUIREMENTS. I ALSO ACKNOWLEDGE MY DUTY TO CONFIRM PRODUCT AND INSTALLATION COMPLIANCE WITH ALL APPLICABLE FEDERAL, STATE AND LOCAL REGULATIONS AND STANDARDS.	
	ANY MODIFIED UNITS ARE NON-RETURNABLE	
	[] As drawn [] As marked	
	Signed: _____ Date: _____	
Printed Name: _____		
LEAD TIME WILL START UPON RECEIPT OF SIGNED APPROVAL DRAWING		

FOR INTERNAL USE ONLY PROJECT SIGN OFF	
SALES	
ENG.	
FAB.	
POWER	

DISTRIBUTOR'S NAME:		P.O.#
HOF EQUIPMENT COMPANY		X
PH: 888-990-1150		W.O.#
		X
DRAWN BY:	NWS	DATE:
		12/26/2012
REFERENCE:	X	SCALE:
		1:16
QUOTED LEAD TIME:	X	QUOTE #
		X
		FILE NAME:
		16-007-352