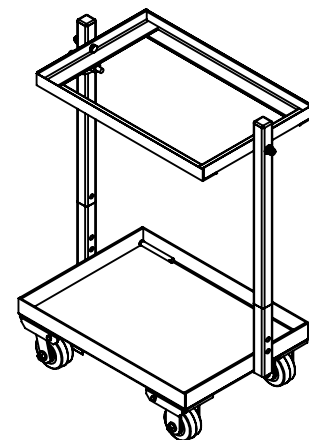
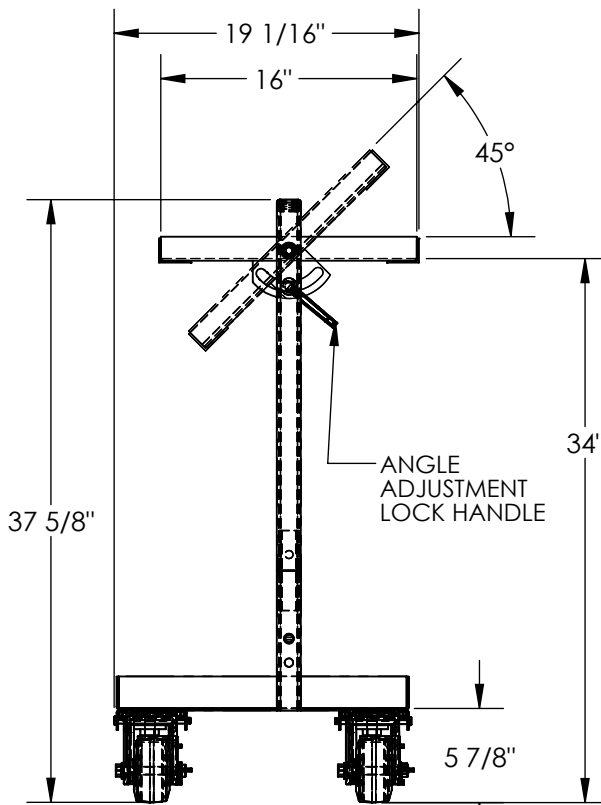
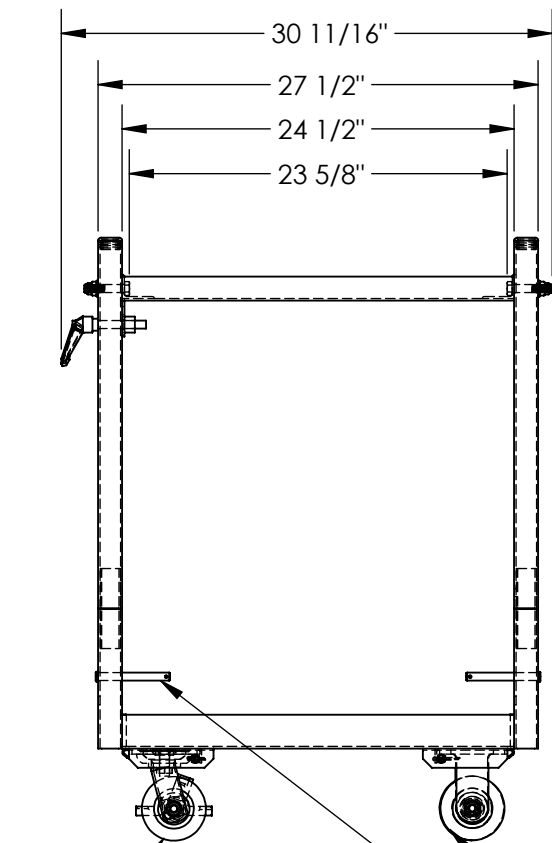


MULTI-TIER STOCK CART - TSCT-2

APPROX WEIGHT: 69.99 lbs.
DOES NOT INCLUDE WEIGHT OF POWER OR PACKAGING!!!

ANY ADDITIONS, DELETIONS, OR OMISSIONS MUST BE CORRECTED ON THIS DRAWING AS THIS DRAWING WILL BE CONSIDERED ALL INCLUSIVE



3-D VIEW FOR REFERENCE ONLY

Ø4" X 2" MOLD-ON-RUBBER CASTERS
QTY. 2- RIGID

Ø4" X 2" MOLD-ON-RUBBER CASTERS
QTY. 2 - SWIVEL W/ BRAKE

PINS PROVIDED MAY BE INSERTED INTO THE HOLES TO SUPPORT THE BOTTOM OF A LOWER BIN (NOT PROVIDED) AND TILT IT FORWARD. FOR A LEVEL LOWER BIN PINS MAY BE STORED IN THE BASE FRAME

FOR INTERNAL USE ONLY PROJECT SIGN OFF	
SALES	
ENG.	
FAB.	
POWER	

ALL GRAPHICS PROVIDED ARE FOR REFERENCE ONLY. IF CERTAIN DIMENSIONS ARE CRITICAL PLEASE VERIFY THOSE DIMENSIONS WITH YOUR SALESPERSON

DIMENSION TOLERANCE ± 1/4"

STANDARD FEATURES

- MODEL NUMBER IS TSCT-2
- OVERALL HEIGHT: 37 5/8"
- OVERALL WIDTH: 30 11/16"
- OVERALL DEPTH: 19 1/16"
- UPRIGHT TO UPRIGHT WIDTH: 24 1/2"
- USABLE SHELF SIZE: 16" x 23 5/8"
- UNIFORM STATIC CAPACITY: 200 LBS
- SHELF TILT: 45°
- INCLUDES (2) 4" x 2" RIGID CASTERS & (2) 4" x 2" SWIVEL W/BRAKE CASTERS
- TOUGH BAKED IN POWDER COATED BLUE FINISH

SPECIAL FEATURES

NONE

APPROVAL

I, THE UNDERSIGNED, AGREE THAT THE PRODUCT AS REPRESENTED SATISFIES DESIGN AND DIMENSION REQUIREMENTS. I ALSO ACKNOWLEDGE MY DUTY TO CONFIRM PRODUCT AND INSTALLATION COMPLIANCE WITH ALL APPLICABLE FEDERAL, STATE AND LOCAL REGULATIONS AND STANDARDS.

ANY MODIFIED UNITS ARE NON-RETURNABLE

As drawn As marked

Signed: _____ Date: _____

Printed Name: _____

LEAD TIME WILL START UPON RECEIPT OF SIGNED APPROVAL DRAWING

DISTRIBUTOR'S NAME:		P.O.#	
HOF EQUIPMENT COMPANY		X	
PH: 888-990-1150		W.O.#	
DRAWN BY: WHR		X	
DATE: 07/23/2012		SALES: X	
REFERENCE: X		SCALE: 1:12	
QUOTED LEAD TIME: X		FILE NAME:	
QUOTE # X		16-007-326	