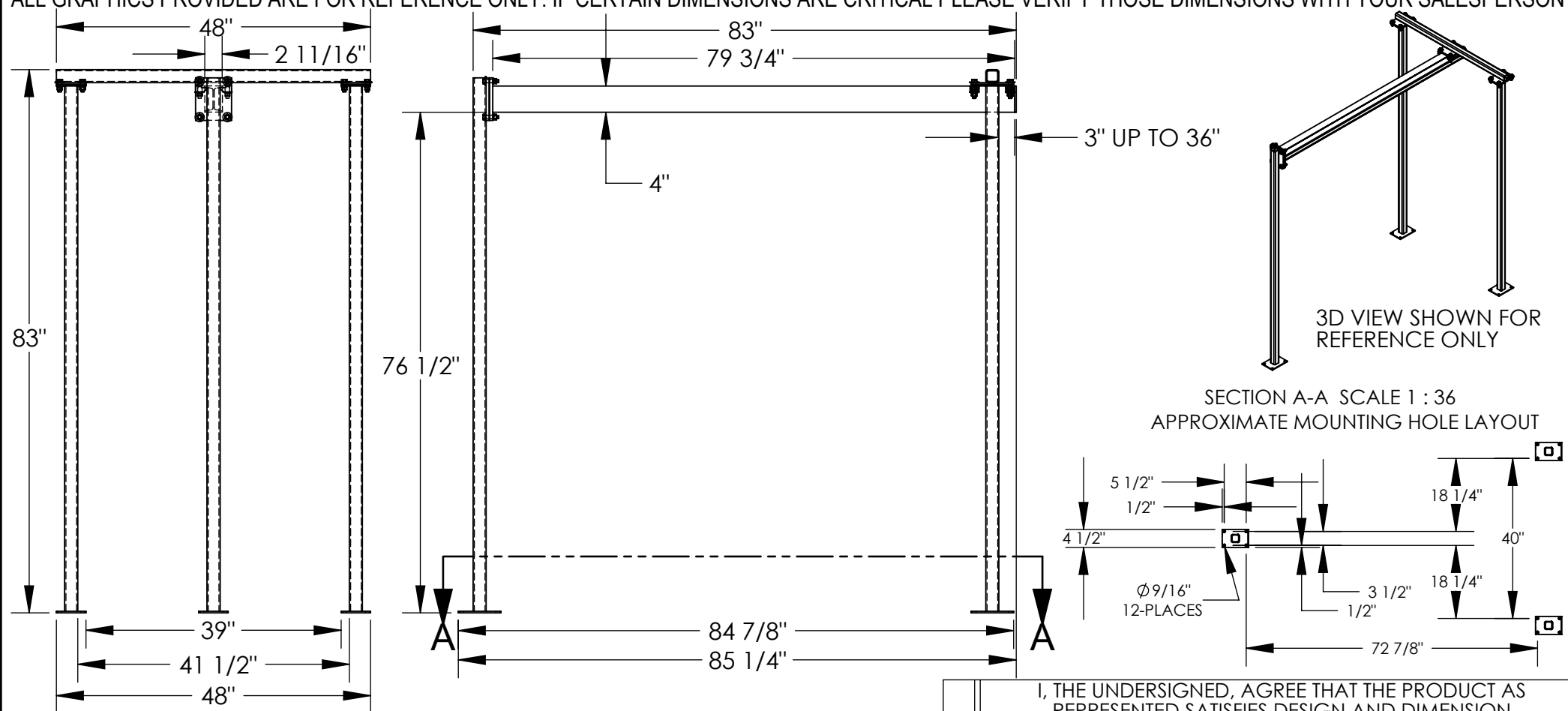


# EXTRA TRAVEL TRI-POST JIB - TJIB-3

APPROX WEIGHT: 190.55 lbs.  
DOES NOT INCLUDE WEIGHT OF POWER OR PACKAGING!!!

\*\*\* ANY ADDITIONS, DELETIONS, OR OMISSIONS MUST BE CORRECTED ON THIS DRAWING AS THIS DRAWING WILL BE CONSIDERED ALL INCLUSIVE \*\*\*

ALL GRAPHICS PROVIDED ARE FOR REFERENCE ONLY. IF CERTAIN DIMENSIONS ARE CRITICAL PLEASE VERIFY THOSE DIMENSIONS WITH YOUR SALESPERSON



## STANDARD FEATURES

- MODEL NUMBER IS TJIB-3
- CAPACITY IS 300 LBS.
- OVERALL WIDTH IS 48"
- STRADDLE WIDTH (ID) IS 41 1/2"
- OVERALL LENGTH IS 85 1/4"
- USABLE I-BEAM LENGTH IS 79 3/4"
- OVERALL HEIGHT IS 83"
- UNDER I-BEAM CLEARANCE IS 76 1/2"
- I-BEAM SIZE IS 4" HEIGHT X 2 11/16" FLANGE WIDTH
- OVERHANG OF I-BEAM CAN BE SET FROM 3" UP TO 36"
- DURABLE LIQUID PAINT BLUE FINISH

## NOTE:

SPECIAL FOUNDATION MAY BE REQUIRED: SEE OWNERS MANUAL FOR DETAILS

DIMENSION TOLERANCE ± 1/4"

## SPECIAL FEATURES

NONE

**APPROVAL**

I, THE UNDERSIGNED, AGREE THAT THE PRODUCT AS REPRESENTED SATISFIES DESIGN AND DIMENSION REQUIREMENTS. I ALSO ACKNOWLEDGE MY DUTY TO CONFIRM PRODUCT AND INSTALLATION COMPLIANCE WITH ALL APPLICABLE FEDERAL, STATE AND LOCAL REGULATIONS AND STANDARDS.

**ANY MODIFIED UNITS ARE NON-RETURNABLE**

[ ] As drawn [ ] As marked

Signed: \_\_\_\_\_ Date: \_\_\_\_\_

Printed Name: \_\_\_\_\_

LEAD TIME WILL START UPON RECEIPT OF SIGNED APPROVAL DRAWING

FOR INTERNAL USE ONLY PROJECT SIGN OFF	
SALES	
ENG.	
FAB.	
POWER	

DISTRIBUTOR'S NAME:		HOF EQUIPMENT COMPANY		P.O.#	X
		PH: 888-990-1150		W.O.#	X
DRAWN BY:	ND	DATE:	2/9/2013	SALES:	X
REFERENCE:	X	SCALE:	1:22	FILE NAME:	
QUOTED LEAD TIME:	X	QUOTE #	X		28-007-040