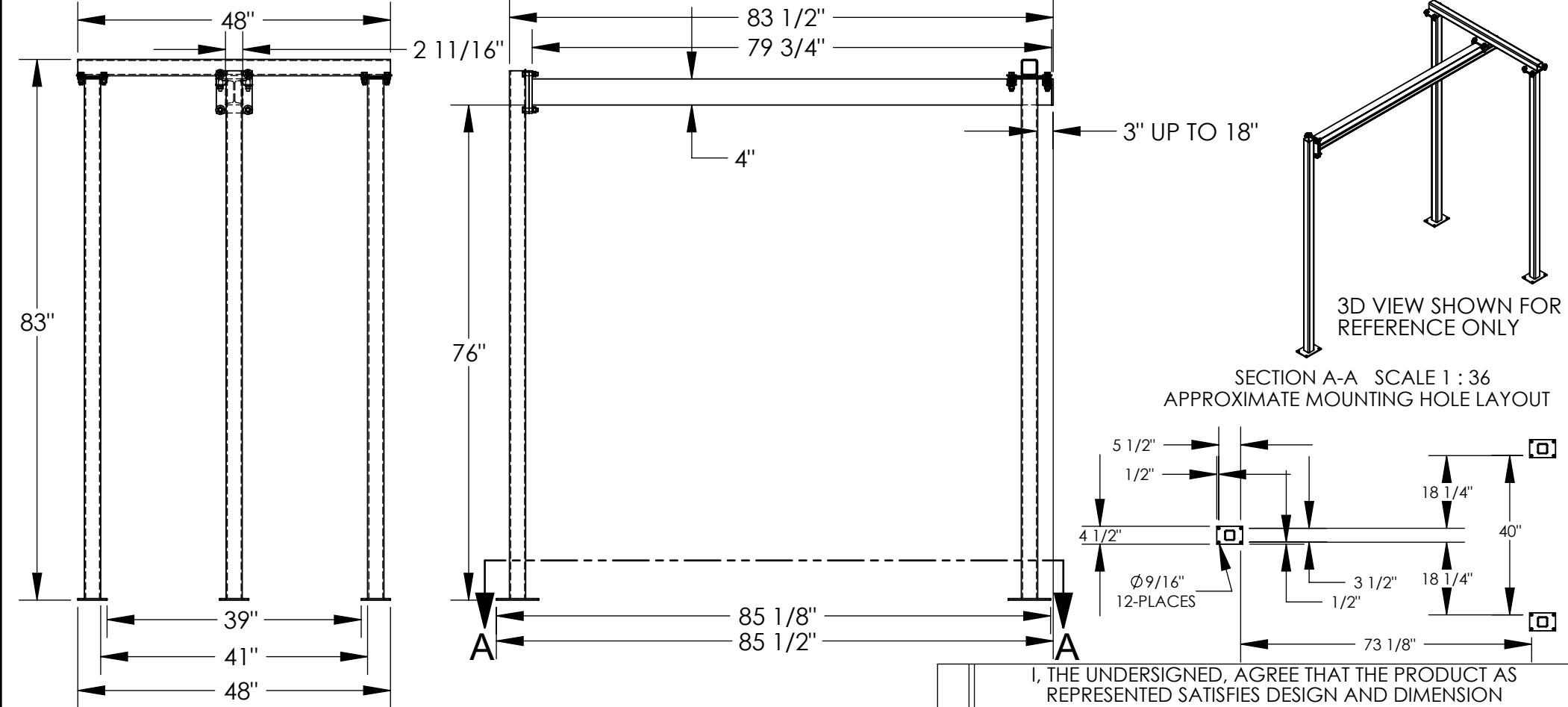


# EXTRA TRAVEL TRI-POST JIB - TJIB-10

APPROX WEIGHT: 220.73 lbs.  
 DOES NOT INCLUDE WEIGHT OF POWER OR PACKAGING!!!

\*\*\* ANY ADDITIONS, DELETIONS, OR OMISSIONS MUST BE CORRECTED ON THIS DRAWING AS THIS DRAWING WILL BE CONSIDERED ALL INCLUSIVE \*\*\*  
 ALL GRAPHICS PROVIDED ARE FOR REFERENCE ONLY. IF CERTAIN DIMENSIONS ARE CRITICAL PLEASE VERIFY THOSE DIMENSIONS WITH YOUR SALESPERSON



## STANDARD FEATURES

- MODEL NUMBER IS TJIB-10
- CAPACITY IS 1000 LBS.
- OVERALL WIDTH IS 48"
- STRADDLE WIDTH (ID) IS 41"
- OVERALL LENGTH IS 85 1/2"
- USABLE I-BEAM LENGTH IS 79 3/4"
- OVERALL HEIGHT IS 83"
- UNDER I-BEAM CLEARANCE IS 76"
- I-BEAM SIZE IS 4" HEIGHT X 2 11/16" FLANGE WIDTH
- OVERHANG OF I-BEAM CAN BE SET FROM 3" TO 18"
- DURABLE LIQUID PAINT BLUE FINISH

## SPECIAL FEATURES

NONE

## NOTE:

SPECIAL FOUNDATION MAY BE REQUIRED: SEE OWNERS MANUAL FOR DETAILS

DIMENSION TOLERANCE ± 1/4"

APPROVAL

I, THE UNDERSIGNED, AGREE THAT THE PRODUCT AS REPRESENTED SATISFIES DESIGN AND DIMENSION REQUIREMENTS. I ALSO ACKNOWLEDGE MY DUTY TO CONFIRM PRODUCT AND INSTALLATION COMPLIANCE WITH ALL APPLICABLE FEDERAL, STATE AND LOCAL REGULATIONS AND STANDARDS.

**ANY MODIFIED UNITS ARE NON-RETURNABLE**

[ ] As drawn [ ] As marked

Signed: \_\_\_\_\_ Date: \_\_\_\_\_

Printed Name: \_\_\_\_\_

LEAD TIME WILL START UPON RECEIPT OF SIGNED APPROVAL DRAWING

FOR INTERNAL USE ONLY PROJECT SIGN OFF	
SALES	
ENG.	
FAB.	
POWER	

DISTRIBUTOR'S NAME: HOF EQUIPMENT COMPANY		P.O.# X
PH: 888-990-1150		W.O.# X
DRAWN BY: ND	DATE: 2/9/2013	SALES: X
REFERENCE: X	SCALE: 1:22	FILE NAME: 28-007-179
QUOTED LEAD TIME: X	QUOTE # X	