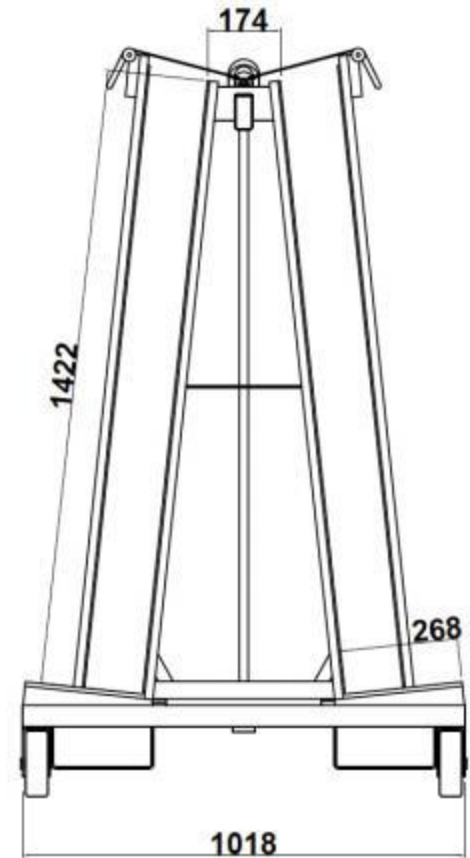
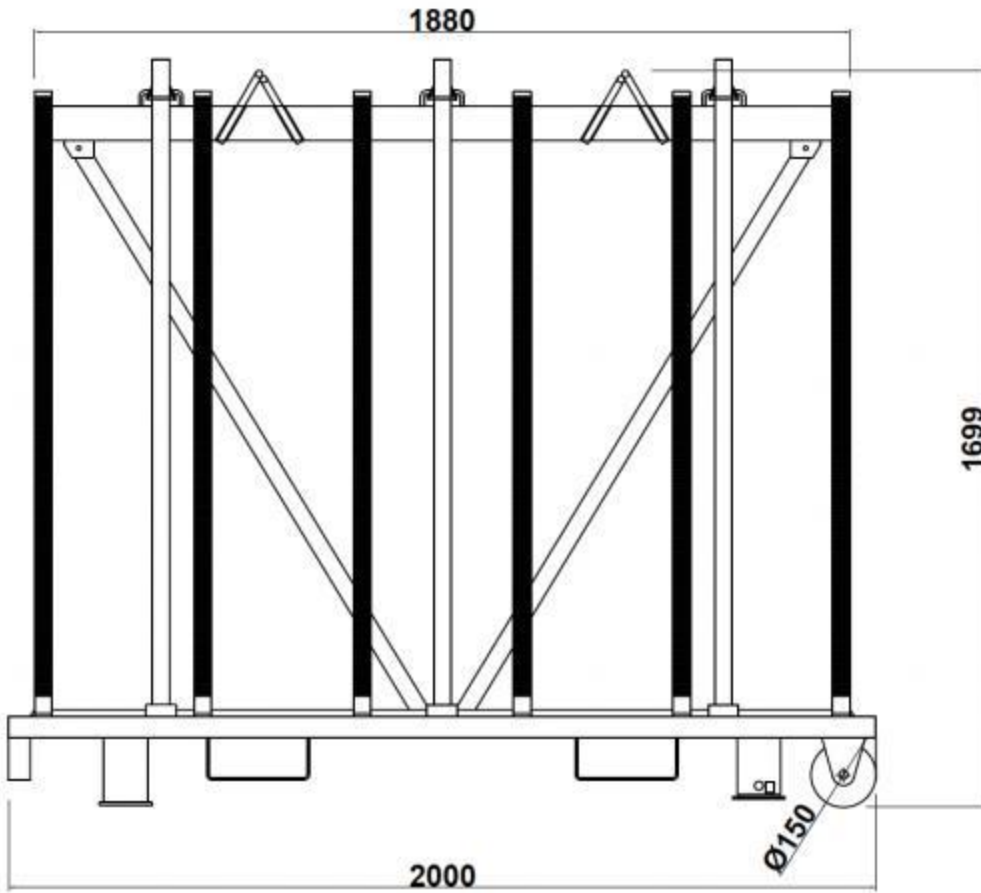


TF2000 Drawing



Please note: All measurements are in millimeters.