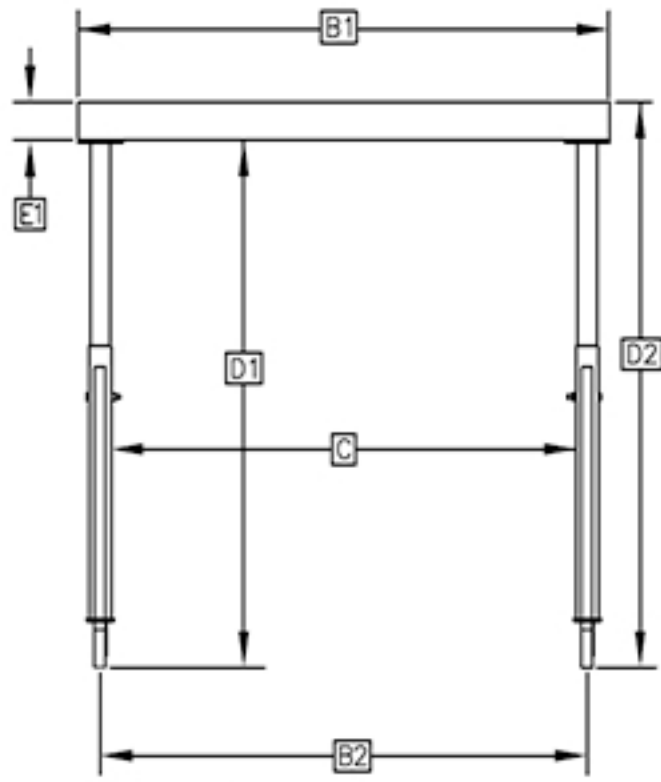
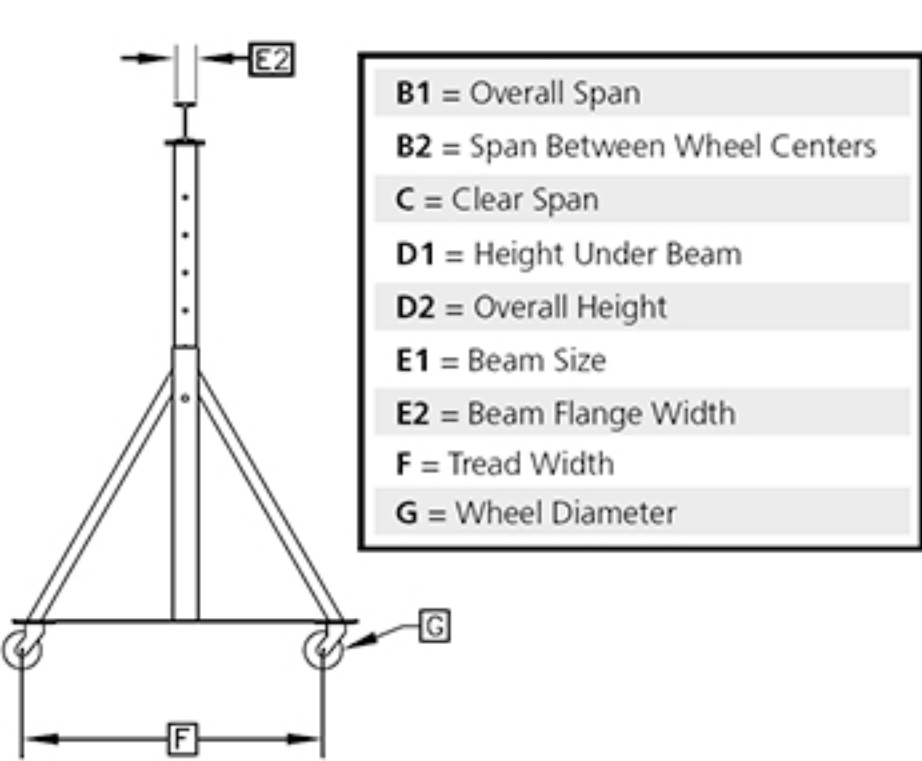


Fixed Height E-Series — Dimensions



A Capacity	B1 Overall Span	B2 Span between Wheel Centers	C Clear Span	D1 Height Under Beam	D2 Overall Height	E1 Beam Size	E2 Beam Flange Width	F Tread Width	G Wheel Dia.	Net Wt. (Lbs.)	Model No.
1 TON	12'	11' 3"	10' 11"	10' 0"	10' 6"	S6X12.5#	3-3/8"	5' 4"	6"▷	354	F2000
2 TON	12'	11' 3"	10' 11"	10' 0"	10' 8"	S8X18.4#	4"	5' 4"	8"◇	580	F4000
3 TON	12'	11' 1"	10' 8"	10' 0"	10' 10"	S10X25.4#	4-5/8"	5' 4"	8"◇	719	F6000
5 TON	12'	11' 1"	10' 7"	10' 0"	11' 0"	S12X31.8#	5"	5' 4"	8"◁	925	F10000

All weights are estimates and not guaranteed for shipping purposes. All dimensions are nominal.
 All models are supplied with non-marking polyurethane wheels on swivel casters with four-position swivel locks.
 ▷ Caster Part Number 32-0070 ◇ Caster Part Number 32-0002 ◁ Caster Part Number 32-0097