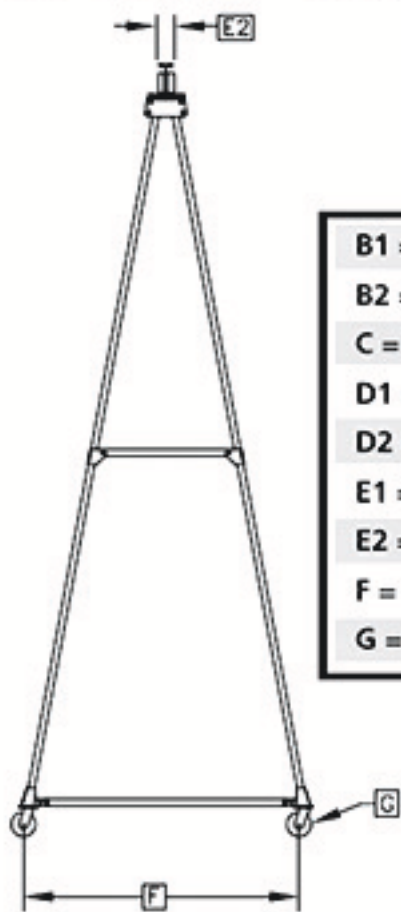
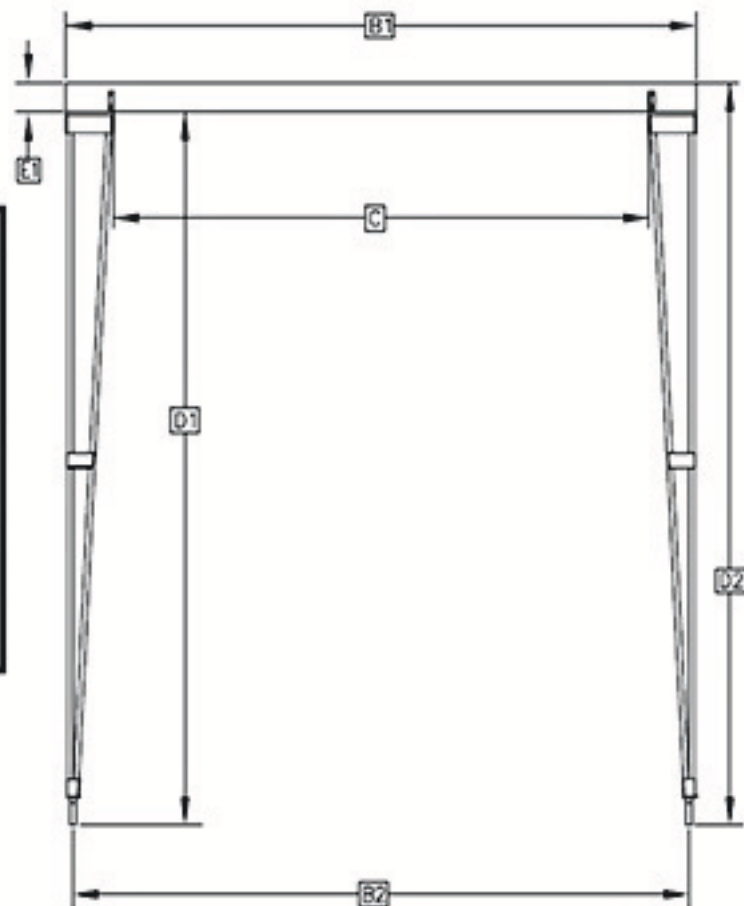


PF-Series — Dimensions

Fixed Height



- B1 = Overall Span**
- B2 = Span Between Wheel Centers**
- C = Clear Span**
- D1 = Height Under Beam**
- D2 = Overall Height**
- E1 = Beam Size**
- E2 = Beam Flange Width**
- F = Tread Width**
- G = Wheel Diameter**



A Capacity	B1 Overall Span	B2 Span between Wheel Centers	C Clear Span	D1 Height Under Beam	D2 Overall Height	E1 Beam Size	E2 Beam Flange Width	F Tread Width	G Wheel Dia.	Net Wt. (Lbs.)	Model No.
7-1/2 TON	15 ft.	14' 3"	12' 0"	20' 0"	21' 6"	S18X54.7#	6"	7' 4"	12"▷	2,653	7PF1520
		14' 3"	12' 0"	25' 0"	26' 6"	S18X54.7#	6"	9' 2"	12"▷	2,958	7PF1525
		14' 2"	11' 0"	30' 0"	31' 6"	S18X54.7#	6"	11' 1"	12"▷	3,457	7PF1530
		14' 2"	11' 0"	35' 0"	36' 6"	S18X54.7#	6"	13' 0"	12"▷	5,274	7PF1535
	20 ft.	19' 3"	17' 0"	20' 0"	21' 7"	S18X54.7#*	6"	7' 4"	12"▷	3,125	7PF2020
		19' 3"	17' 0"	25' 0"	26' 7"	S18X54.7#*	6"	9' 2"	12"▷	3,430	7PF2025
		19' 2"	16' 0"	30' 0"	31' 7"	S18X54.7#*	6"	11' 1"	12"▷	3,959	7PF2030
		19' 2"	16' 0"	35' 0"	36' 7"	S18X54.7#*	6"	13' 0"	12"▷	5,746	7PF2035
	25 ft.	24' 3"	21' 0"	20' 0"	21' 7"	S18X54.7#*	6"	7' 4"	12"▷	3,540	7PF2520
		24' 3"	21' 0"	25' 0"	26' 7"	S18X54.7#*	6"	9' 2"	12"▷	3,845	7PF2525
		24' 2"	21' 0"	30' 0"	31' 7"	S18X54.7#*	6"	11' 1"	12"▷	4,344	7PF2530
		24' 2"	20' 0"	35' 0"	36' 7"	S18X54.7#*	6"	13' 0"	12"▷	6,140	7PF2535
	30 ft.	29' 3"	26' 0"	20' 0"	22' 1"	S24X80#*	7"	7' 4"	12"▷	4,301	7PF3020
		29' 3"	26' 0"	25' 0"	27' 1"	S24X80#*	7"	9' 2"	12"▷	4,606	7PF3025
		29' 2"	26' 0"	30' 0"	32' 1"	S24X80#*	7"	11' 1"	12"▷	5,148	7PF3030
		29' 2"	25' 0"	35' 0"	37' 1"	S24X80#*	7"	13' 0"	12"▷	6,901	7PF3035
	35 ft.	34' 3"	31' 0"	20' 0"	22' 1"	S24X80#*	7"	7' 4"	12"▷	5,197	7PF3520
		34' 3"	31' 0"	25' 0"	27' 1"	S24X80#*	7"	9' 2"	12"▷	5,502	7PF3525
		34' 2"	31' 0"	30' 0"	32' 1"	S24X80#*	7"	11' 1"	12"▷	6,424	7PF3530
		34' 2"	30' 0"	35' 0"	37' 1"	S24X80#*	7"	13' 0"	12"▷	7,847	7PF3535
40 ft.	39' 3"	35' 0"	20' 0"	22' 1"	S24X80#*	7"	7' 4"	12"▷	6,102	7PF4020	
	39' 3"	35' 0"	25' 0"	27' 1"	S24X80#*	7"	9' 2"	12"▷	7,019	7PF4025	
	39' 2"	35' 0"	30' 0"	32' 1"	S24X80#*	7"	11' 1"	12"▷	7,571	7PF4030	
	39' 2"	35' 0"	35' 0"	37' 1"	S24X80#*	7"	13' 0"	12"▷	9,319	7PF4035	

All weights are estimates and not guaranteed for shipping purposes. All dimensions are nominal.

All models are supplied with non-marking polyurethane wheels on swivel casters with four-position swivel locks.

* Capped Beam. ▷ Caster Part Number 32-0017