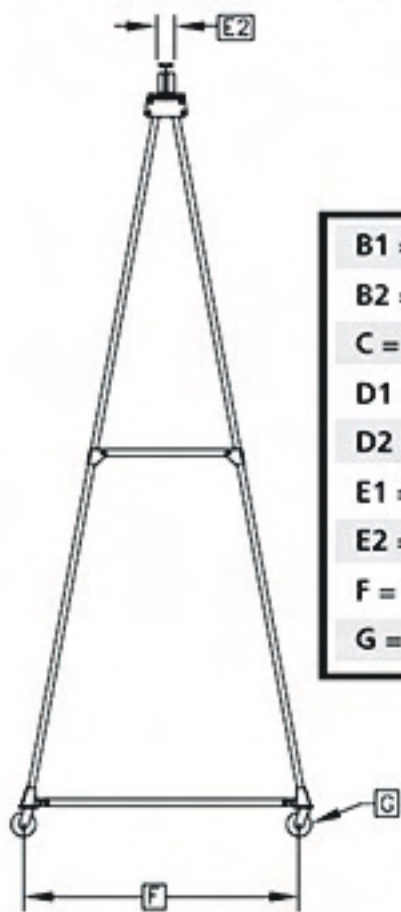
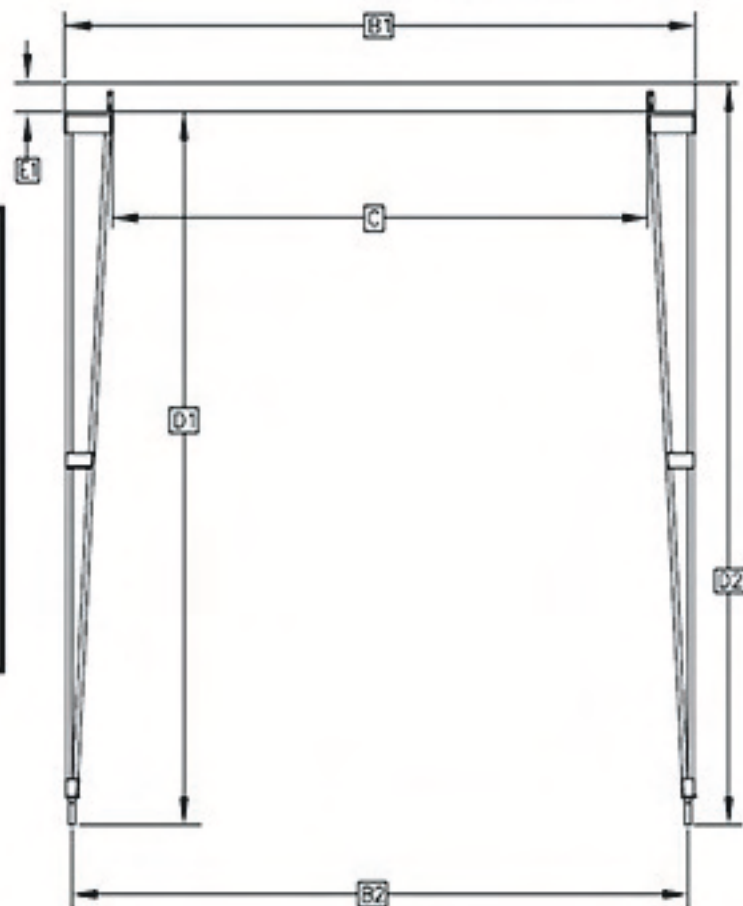


PF-Series — Dimensions

Fixed Height



- B1** = Overall Span
- B2** = Span Between Wheel Centers
- C** = Clear Span
- D1** = Height Under Beam
- D2** = Overall Height
- E1** = Beam Size
- E2** = Beam Flange Width
- F** = Tread Width
- G** = Wheel Diameter



A Capacity	B1 Overall Span	B2 Span between Wheel Centers	C Clear Span	D1 Height Under Beam	D2 Overall Height	E1 Beam Size	E2 Beam Flange Width	F Tread Width	G Wheel Dia.	Net Wt. (Lbs.)	Model No.
10 TON	15 ft.	14' 3"	12' 0"	20' 0"	21' 6"	S18X54.7#	6"	7' 4"	12" ▷	2,677	10PF1520
		14' 3"	12' 0"	25' 0"	26' 6"	S18X54.7#	6"	9' 2"	12" ▷	2,982	10PF1525
		14' 2"	11' 0"	30' 0"	31' 6"	S18X54.7#	6"	11' 1"	12" ▷	4,652	10PF1530
		14' 2"	11' 0"	35' 0"	36' 6"	S18X54.7#	6"	13' 0"	12" ▷	5,298	10PF1535
	20 ft.	19' 3"	17' 0"	20' 0"	22' 0"	S24X80#	7"	7' 4"	12" ▷	3,736	10PF2020
		19' 3"	17' 0"	25' 0"	27' 0"	S24X80#	7"	9' 2"	12" ▷	3,761	10PF2025
		19' 2"	16' 0"	30' 0"	32' 0"	S24X80#	7"	11' 1"	12" ▷	5,456	10PF2030
		19' 2"	16' 0"	35' 0"	37' 0"	S24X80#	7"	13' 0"	12" ▷	6,102	10PF2035
	25 ft.	24' 3"	21' 0"	20' 0"	22' 1"	S24X80#*	7"	7' 4"	12" ▷	4,738	10PF2520
		24' 3"	21' 0"	25' 0"	27' 1"	S24X80#*	7"	9' 2"	12" ▷	5,043	10PF2525
		24' 2"	21' 0"	30' 0"	32' 1"	S24X80#*	7"	11' 1"	12" ▷	6,733	10PF2530
		24' 2"	20' 0"	35' 0"	37' 1"	S24X80#*	7"	13' 0"	12" ▷	7,388	10PF2535
	30 ft.	29' 3"	26' 0"	20' 0"	22' 1"	S24X80#*	7"	7' 4"	12" ▷	5,041	10PF3020
		29' 3"	26' 0"	25' 0"	27' 1"	S24X80#*	7"	9' 2"	12" ▷	5,346	10PF3025
		29' 2"	26' 0"	30' 0"	32' 1"	S24X80#*	7"	11' 1"	12" ▷	7,036	10PF3030
		29' 2"	25' 0"	35' 0"	37' 1"	S24X80#*	7"	13' 0"	12" ▷	7,691	10PF3035
	35 ft.	34' 3"	31' 0"	20' 0"	22' 1"	S24X80#*	7"	7' 4"	12" ▷	5,572	10PF3520
		34' 3"	31' 0"	25' 0"	27' 1"	S24X80#*	7"	9' 2"	12" ▷	5,877	10PF3525
		34' 2"	30' 0"	30' 0"	32' 1"	S24X80#*	7"	11' 1"	12" ▷	7,197	10PF3530
		34' 2"	30' 0"	35' 0"	37' 1"	S24X80#*	7"	13' 0"	12" ▷	8,172	10PF3535
40 ft.	39' 3"	35' 0"	20' 0"	22' 1"	S24X80#*	7"	7' 4"	12" ▷	6,713	10PF4020	
	39' 3"	35' 0"	25' 0"	27' 1"	S24X80#*	7"	9' 2"	12" ▷	7,318	10PF4025	
	39' 2"	35' 0"	30' 0"	32' 1"	S24X80#*	7"	11' 1"	12" ▷	8,713	10PF4030	
	39' 2"	35' 0"	35' 0"	37' 1"	S24X80#*	7"	13' 0"	12" ▷	9,563	10PF4035	

All weights are estimates and not guaranteed for shipping purposes. All dimensions are nominal.

All models are supplied with non-marking polyurethane wheels on swivel casters with four-position swivel locks

* Capped Beam. ▷ Caster Part Number 32-0013