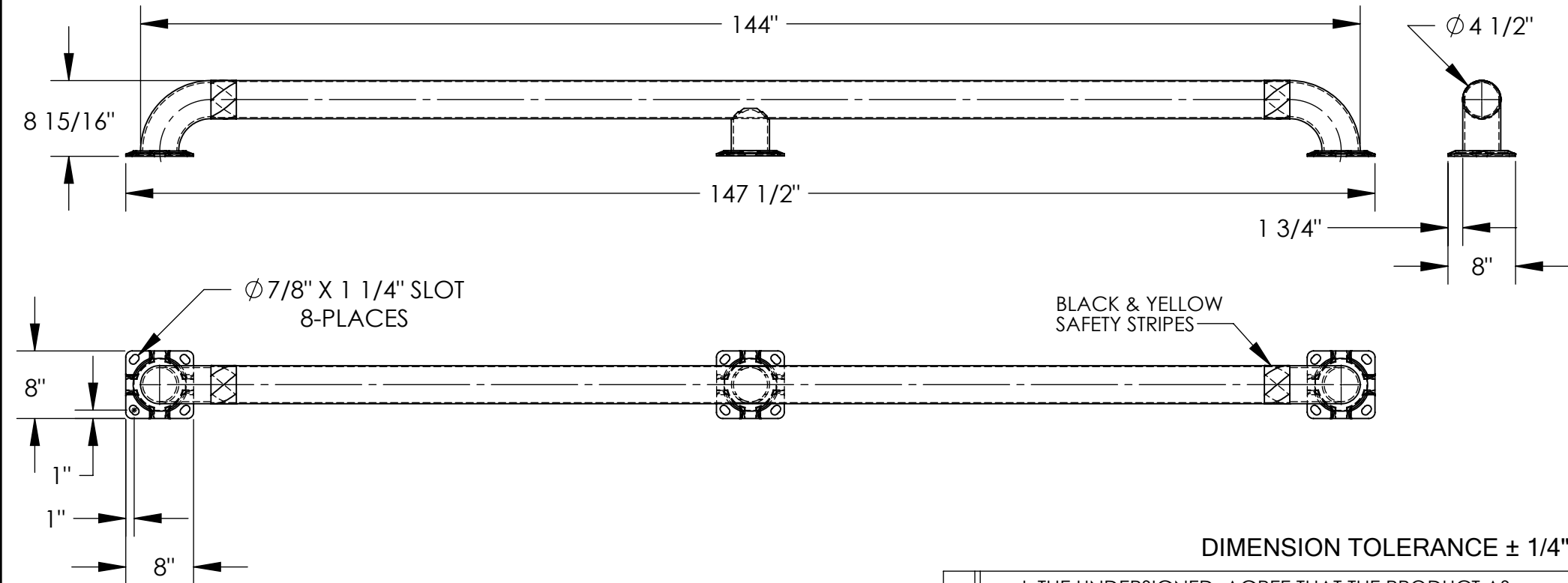


WHEEL ALIGNMENT CURB - SWAC-144

APPROX WEIGHT: 95.15 lbs.
 DOES NOT INCLUDE WEIGHT OF POWER OR PACKAGING!!!

*** ANY ADDITIONS, DELETIONS, OR OMISSIONS MUST BE CORRECTED ON THIS DRAWING AS THIS DRAWING WILL BE CONSIDERED ALL INCLUSIVE ***

ALL GRAPHICS PROVIDED ARE FOR REFERENCE ONLY. IF CERTAIN DIMENSIONS ARE CRITICAL PLEASE VERIFY THOSE DIMENSIONS WITH YOUR SALESPERSON



STANDARD FEATURES

MODEL NUMBER IS: SWAC-144
 USABLE LENGTH: 144"
 OVERALL LENGTH: 147 1/2"
 OVERALL HEIGHT: 8 15/16"
 GUARD DIAMETER: Ø4 1/2"
 GUARD LENGTH: 144"
 INCLUDES 3 MOUNTING BRACKETS
 TOUGH BAKED IN POWDER COATED
 YELLOW FINISH
 BLACK & YELLOW SAFETY STRIPES
 ALL STEEL CONSTRUCTION
 (ASTM A-36 MIN.) WITH
 WELDING TO MEET AWS
 WARNING: CHECK APPLICABLE STATE
 & LOCAL LAWS FOR YOUR AREA

SPECIAL FEATURES

NONE

DIMENSION TOLERANCE ± 1/4"

APPROVAL

I, THE UNDERSIGNED, AGREE THAT THE PRODUCT AS REPRESENTED SATISFIES DESIGN AND DIMENSION REQUIREMENTS. I ALSO ACKNOWLEDGE MY DUTY TO CONFIRM PRODUCT AND INSTALLATION COMPLIANCE WITH ALL APPLICABLE FEDERAL, STATE AND LOCAL REGULATIONS AND STANDARDS.
UNITS REQUIRING APPROVAL DRAWINGS OR MODIFIED ARE NON-RETURNABLE

As drawn As marked

Signed: _____ Date: _____

Printed Name: _____

LEAD TIME WILL START UPON RECEIPT OF SIGNED APPROVAL DRAWING

DISTRIBUTOR'S NAME:		P.O.#	
HOF EQUIPMENT COMPANY		X	
PH: 888-990-1150		W.O.#	
		X	
DRAWN BY:	SR	DATE:	5/21/2008
REFERENCE:	X	SCALE:	1:17
QUOTED LEAD TIME:	X	QUOTE #	X
			FILE NAME:
			23-007-026