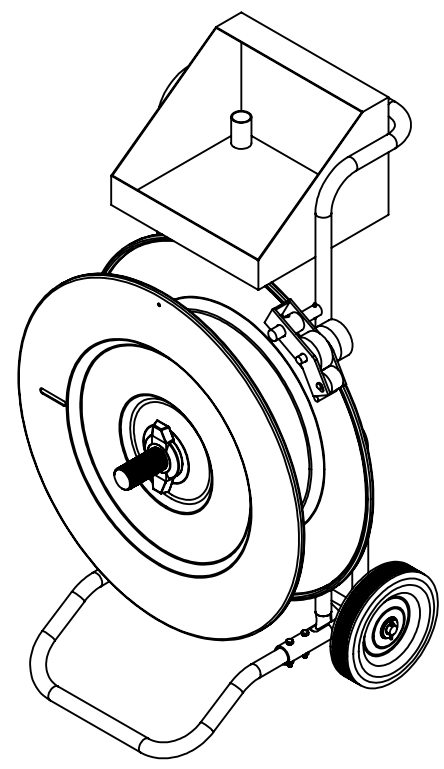
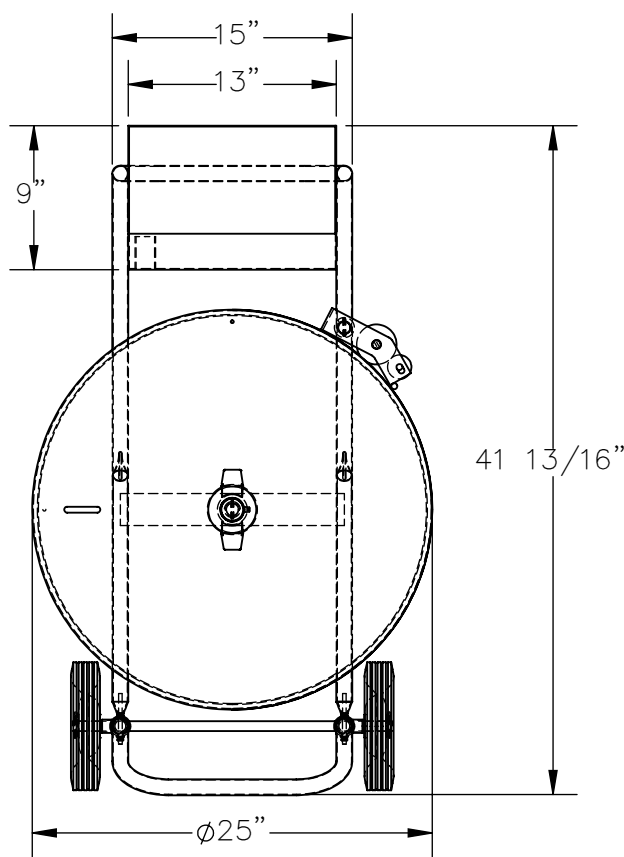
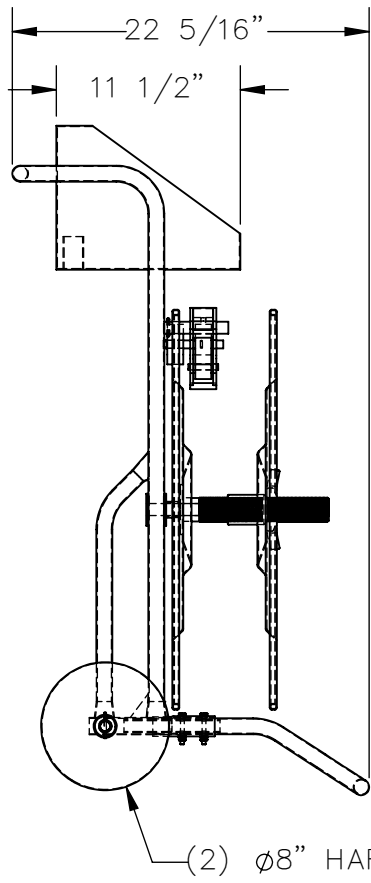


HEAVY DUTY STRAPPING CART - STRAP-PS-HD

APPROX WEIGHT: 62 lbs.
DOES NOT INCLUDE WEIGHT OF POWER OR PACKAGING!!!

*** ANY ADDITIONS, DELETIONS, OR OMISSIONS MUST BE CORRECTED ON THIS DRAWING AS THIS DRAWING WILL BE CONSIDERED ALL INCLUSIVE ***
ALL GRAPHICS PROVIDED ARE FOR REFERENCE ONLY. IF CERTAIN DIMENSIONS ARE CRITICAL PLEASE VERIFY THOSE DIMENSIONS WITH YOUR SALESPERSON



DIMENSION TOLERANCE ± 1/4"

STANDARD FEATURES

- MODEL NUMBER IS STRAP-PS-HD
- OVERALL WIDTH IS 25"
- USABLE WIDTH IS 25"
- OVERALL LENGTH IS 22 5/16"
- OVERALL HEIGHT IS 41 13/16"
- EQUIPMENT TRAY MEASURES 13" X 11 1/2" X 9"
- TOUGH BAKED IN POWDER COATED BLUE AND YELLOW FINISH
- 8" HARD RUBBER WHEEL

SPECIAL FEATURES

NONE

APPROVAL	I, THE UNDERSIGNED, AGREE THAT THE PRODUCT AS REPRESENTED SATISFIES DESIGN AND DIMENSION REQUIREMENTS. I ALSO ACKNOWLEDGE MY DUTY TO CONFIRM PRODUCT AND INSTALLATION COMPLIANCE WITH ALL APPLICABLE FEDERAL, STATE AND LOCAL REGULATIONS AND STANDARDS.	
	ANY MODIFIED UNITS ARE NON-RETURNABLE	
	[] As drawn [] As marked	
	Signed: _____ Date: _____	
Printed Name: _____		
<i>LEAD TIME WILL START UPON RECEIPT OF SIGNED APPROVAL DRAWING</i>		

FOR INTERNAL USE ONLY PROJECT SIGN OFF	
SALES	
ENG.	
FAB.	
POWER	

DISTRIBUTOR'S NAME:		P.O.#
HOF EQUIPMENT COMPANY		X
PH: 888-990-1150		W.O.#
		X
DRAWN BY:	DATE:	SALES:
CRH	10/10/2018	X
REFERENCE:	SCALE:	FILE NAME:
X	1:12	
QUOTED LEAD TIME:	QUOTE #	
X	X	45-007-021