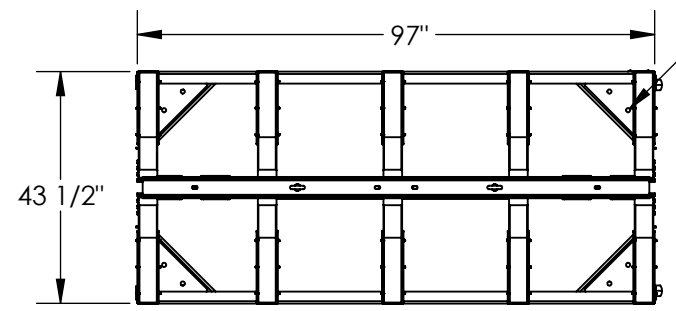


SLAB TRANSPORT RACK, W/CASTERS - STR-M-9764-4-CK1

APPROX WEIGHT: 699 lbs. DOES NOT INCLUDE WEIGHT OF POWER OR PACKAGING!!!

*** ANY ADDITIONS, DELETIONS, OR OMISSIONS MUST BE CORRECTED ON THIS DRAWING AS THIS DRAWING WILL BE CONSIDERED ALL INCLUSIVE ***

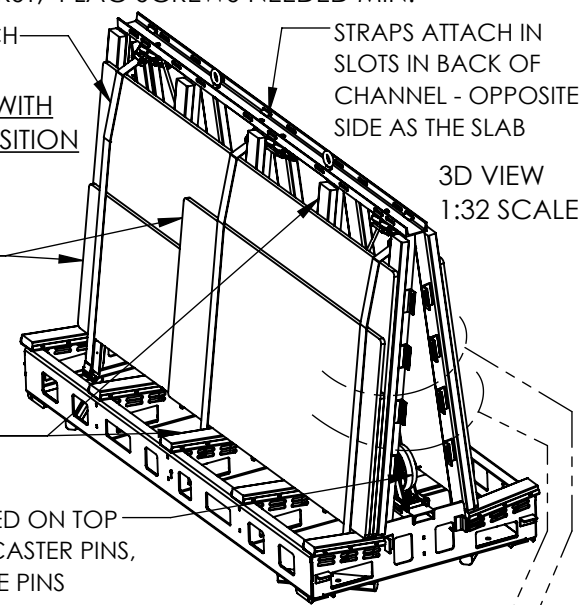
ALL GRAPHICS PROVIDED ARE FOR REFERENCE ONLY. IF CERTAIN DIMENSIONS ARE CRITICAL PLEASE VERIFY THOSE DIMENSIONS WITH YOUR SALESPERSON



Ø 25/32" (8) HOLES PROVIDED IN BASE FOR SCREWING UNIT TO WOODEN FLOORS OF TRAILERS FOR SHIPPING - CASTERS MUST BE REMOVED AND STORED FIRST, 4 LAG SCREWS NEEDED MIN.

(6) 84" LONG STRAPS PROVIDED, ATTACH VERTICALLY USING SLOTS IN FRAME

THIS 3-D VIEW SHOWS THE RACK WITH THE CASTERS IN THEIR STORED POSITION



3D VIEW 1:32 SCALE

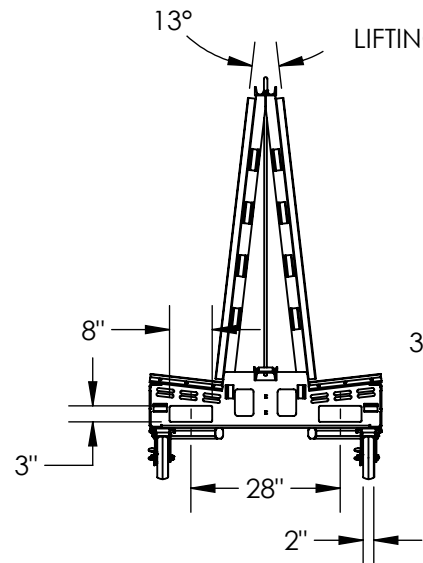
TYPICAL SLABS SHOWN IN POSITION (NOT INCLUDED)

2" X 4" NOMINAL WOODEN BOARDS ATTACHED TO BOTTOM AND BACKS PROTECT PRODUCT

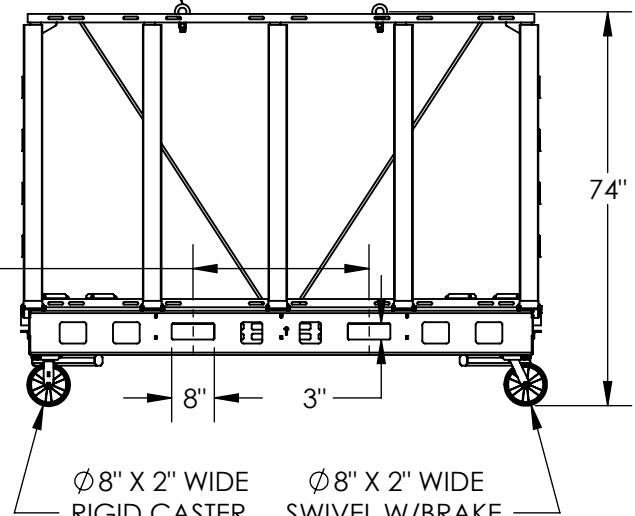
STORAGE FOR CASTERS PROVIDED ON TOP OF LOWER CHANNEL, REMOVE CASTER PINS, MOVE CASTERS UP AND REPLACE PINS

(2) 27' LONG STRAPS PROVIDED TO WRAP COMPLETELY AROUND RACK IN A HORIZONTAL POSITION

DIMENSION TOLERANCE ± 1/4"



LIFTING EYE BOLTS



Ø 8" X 2" WIDE RIGID CASTER 2-PLACES

Ø 8" X 2" WIDE SWIVEL W/BRAKE CASTER 2-PLACES

STANDARD FEATURES

- MODEL NUMBER IS STR-M-9764-4-CK1
- OVERALL WIDTH IS 43 1/2"
- OVERALL LENGTH IS 97"
- OVERALL HEIGHT IS 74"
- MAX CAPACITY IS 4,000 LBS
- WOODEN BOARDS SUPPORT PRODUCT AND PREVENT CONTACT WITH STEEL
- CASTERS ARE GFN, 2 SWIVEL, 2 RIGID
- RACK MAY BE SECURED TO WOODEN FLOOR OF TRUCK WITH HOLES PROVIDED FOR TRANSPORT
- CASTERS ARE EASY REMOVED AND STORED FOR TRANSPORT OF RACK BY TRUCK
- 8" WIDE X 3" HIGH FORK POCKETS SIDES AND ENDS
- WELDED STEEL CONSTRUCTION
- TOUGH BAKED IN POWDER COATED BLUE FINISH

SPECIAL FEATURES

NONE

APPROVAL

I, THE UNDERSIGNED, AGREE THAT THE PRODUCT AS REPRESENTED SATISFIES DESIGN AND DIMENSION REQUIREMENTS. I ALSO ACKNOWLEDGE MY DUTY TO CONFIRM PRODUCT AND INSTALLATION COMPLIANCE WITH ALL APPLICABLE FEDERAL, STATE AND LOCAL REGULATIONS AND STANDARDS.

UNITS REQUIRING APPROVAL DRAWINGS OR MODIFIED ARE NON-RETURNABLE

[] As drawn [] As marked

Signed: _____ Date: _____

Printed Name: _____

LEAD TIME WILL START UPON RECEIPT OF SIGNED APPROVAL DRAWING

DISTRIBUTOR'S NAME:		P.O.#
HOF EQUIPMENT COMPANY		X
PH: 888-990-1150		W.O.#
		X
DRAWN BY:	DATE:	SALES:
MTS	06/23/2021	X
REFERENCE:	SCALE:	FILE NAME:
X	1:36	
QUOTED LEAD TIME:	QUOTE #	16-007-535
X	X	