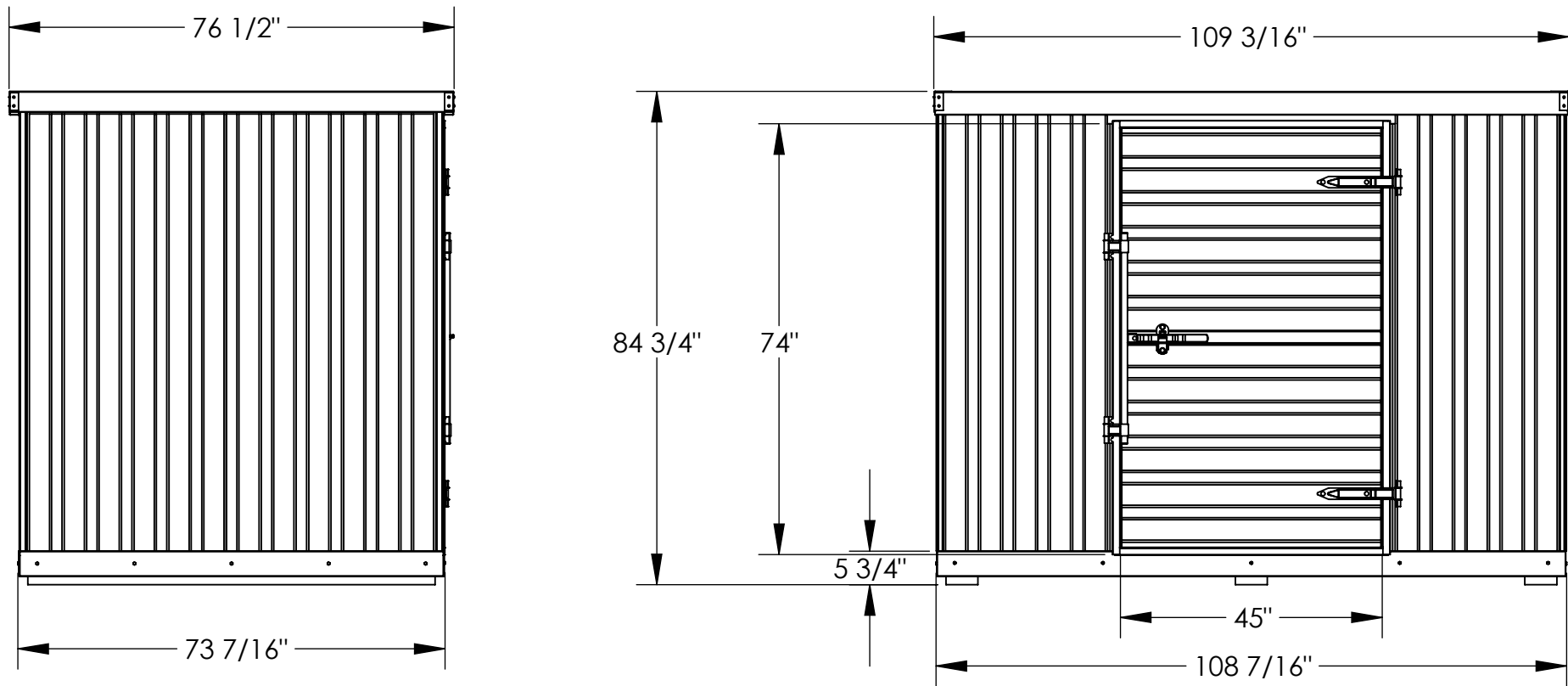


SINGLE DEPTH STORAGE BUILDING - STOR-96-G-W-1RH

APPROX WEIGHT: 762.25 lbs.
 DOES NOT INCLUDE WEIGHT OF POWER OR PACKAGING!!!

*** ANY ADDITIONS, DELETIONS, OR OMISSIONS MUST BE CORRECTED ON THIS DRAWING AS THIS DRAWING WILL BE CONSIDERED ALL INCLUSIVE ***

ALL GRAPHICS PROVIDED ARE FOR REFERENCE ONLY. IF CERTAIN DIMENSIONS ARE CRITICAL PLEASE VERIFY THOSE DIMENSIONS WITH YOUR SALESPERSON



DIMENSION TOLERANCE ± 1/4"

STANDARD FEATURES

- MODEL NUMBER IS: STOR-96-G-W-1RH
- GALVANIZED STEEL CONSTRUCTION
- 51 SQ-FT USABLE FLOOR SPACE
- UNIFORM CAPACITY OF FLOOR IS: 2,750 #
- OVERALL WIDTH IS: 109 3/16"
- USABLE WIDTH INSIDE IS: 104 3/4"
- OVERALL DEPTH IS: 76 1/2"
- USABLE DEPTH INSIDE IS: 69 3/4"
- OVERALL HEIGHT IS: 84 3/4"
- USABLE HEIGHT INSIDE IS: 77 7/16"
- USABLE DOOR OPENING IS: 45" W X 74" H
- WOODEN FLOOR HEIGHT IS: 5 3/4" H
- ROOF CAN SUPPORT SNOW WEIGHT UP TO 45 LBS PER SQ-FT

SPECIAL FEATURES

NONE

APPROVAL

I, THE UNDERSIGNED, AGREE THAT THE PRODUCT AS REPRESENTED SATISFIES DESIGN AND DIMENSION REQUIREMENTS. I ALSO ACKNOWLEDGE MY DUTY TO CONFIRM PRODUCT AND INSTALLATION COMPLIANCE WITH ALL APPLICABLE FEDERAL, STATE AND LOCAL REGULATIONS AND STANDARDS.

UNITS REQUIRING APPROVAL DRAWINGS OR MODIFIED ARE NON-RETURNABLE

[] As drawn [] As marked

Signed: _____ Date: _____

Printed Name: _____

LEAD TIME WILL START UPON RECEIPT OF SIGNED APPROVAL DRAWING

| | |
|---|--|
| FOR INTERNAL USE ONLY PROJECT SIGN OFF | |
| SALES | |
| ENG. | |
| FAB. | |
| POWER | |

| | | | | | |
|---------------------|--|-----------------------|--|------------|---|
| DISTRIBUTOR'S NAME: | | HOF EQUIPMENT COMPANY | | P.O.# | X |
| | | PH: 888-990-1150 | | W.O.# | X |
| DRAWN BY: ND | | DATE: 12/23/11 | | SALES: | X |
| REFERENCE: X | | SCALE: 1:28 | | FILE NAME: | |
| QUOTED LEAD TIME: X | | QUOTE # X | | 41-007-006 | |