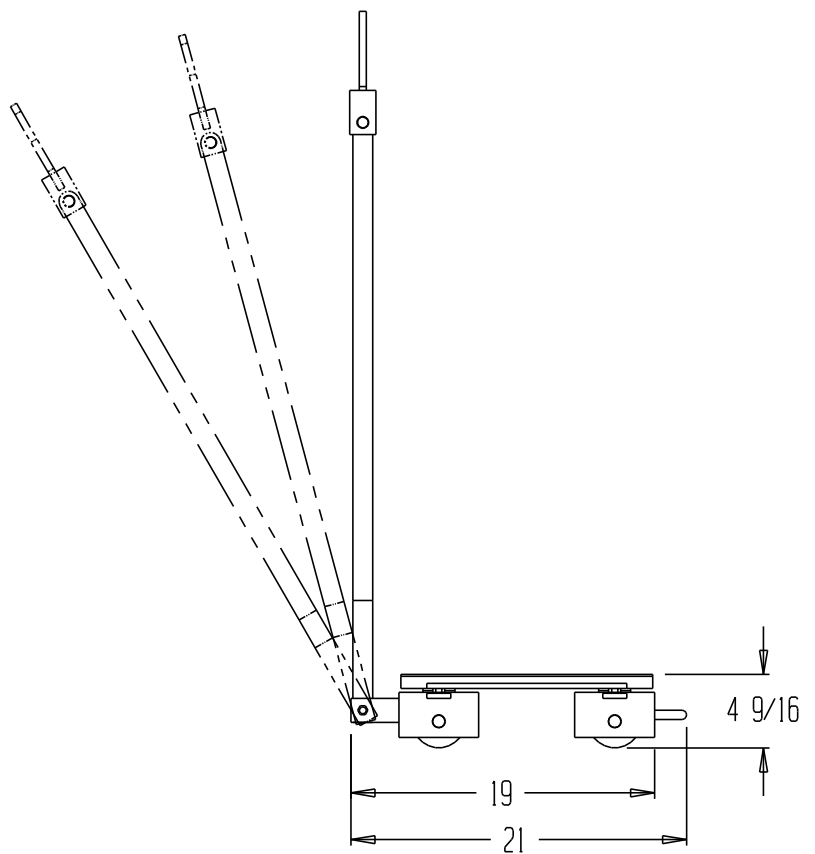
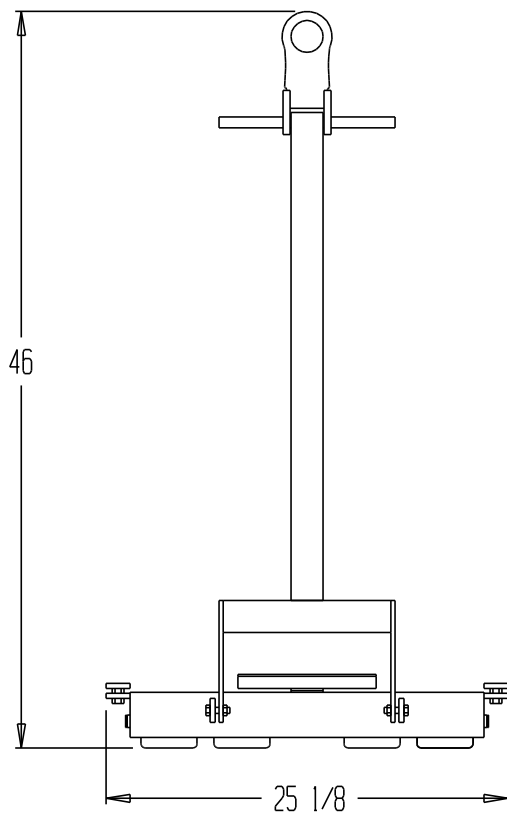
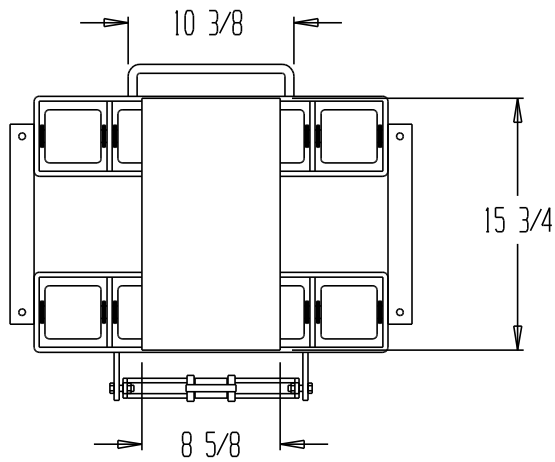


STEERABLE MACHINERY SKATE - SSKT-6



STANDARD FEATURES

MODEL NUMBER: SSKT-6
 CAPACITY: 12,000 LBS
 OVERALL WIDTH: 21"
 OVERALL LENGTH: 25 1/8"
 OVERALL HEIGHT: 46"
 (8) NYLON ROLLERS

SPECIAL FEATURES

NONE

PRODUCTION WILL START UPON
 RECEIPT OF SIGNED APPROVAL
 DRAWING

**SPECIAL UNITS ARE NON-RETURNABLE
 *AVAILABLE AT ADDITIONAL COSTS

APPROVAL

I, the undersigned, hereby approve this print
 As drawn As marked
 This includes my approval of design & dimensions.
 Signed: _____
 Date: _____

DISTRIBUTOR'S NAME: HOF EQUIPMENT COMPANY PH: 888-990-1150		P.O.#: -
DRAWN BY: KY		W.O.#: -
DATE: 9/17/04		SALES: -
REFERENCE: -	DRWG./FILE NAME: 33-007-130	scale: 1:12