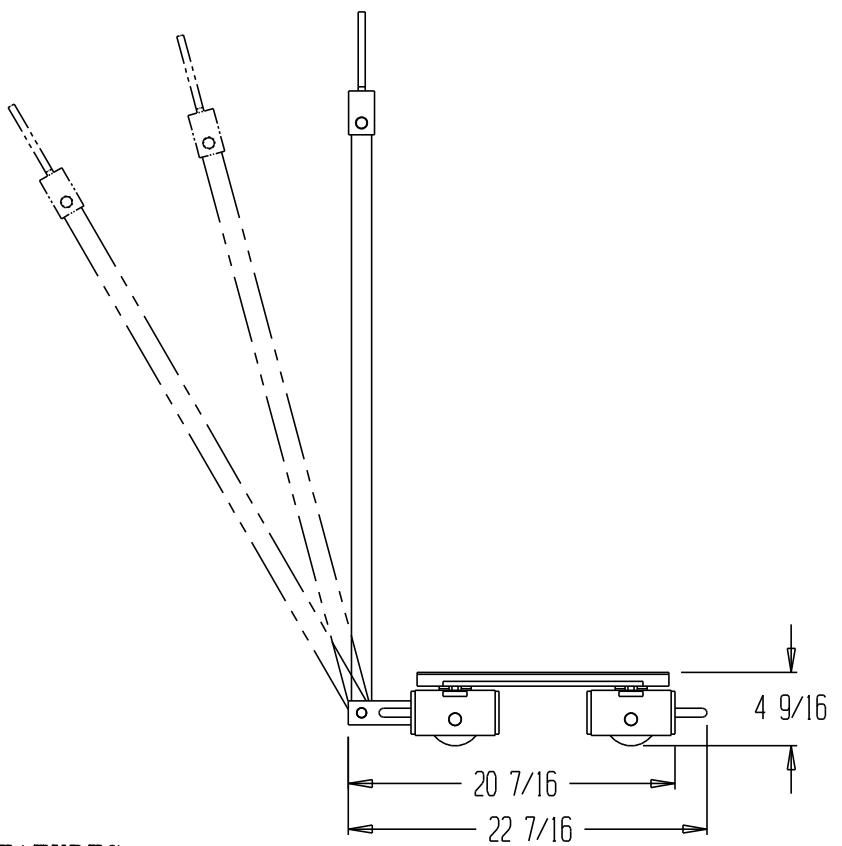
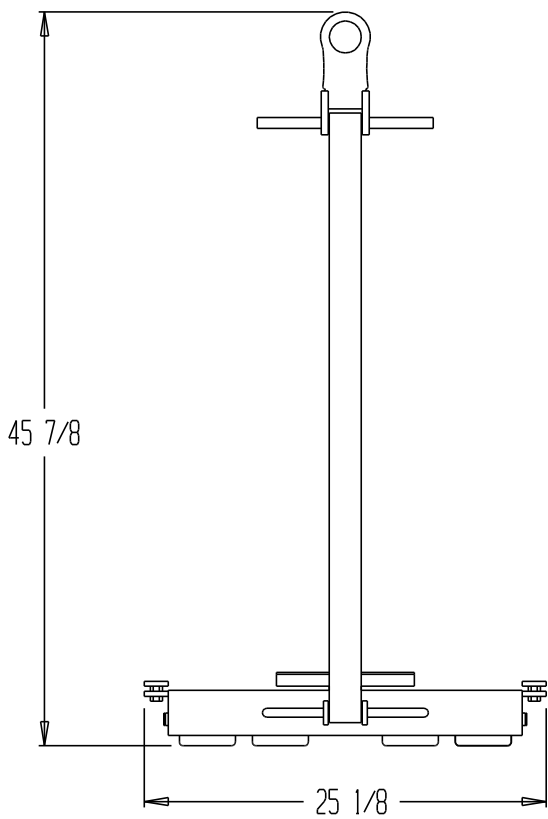
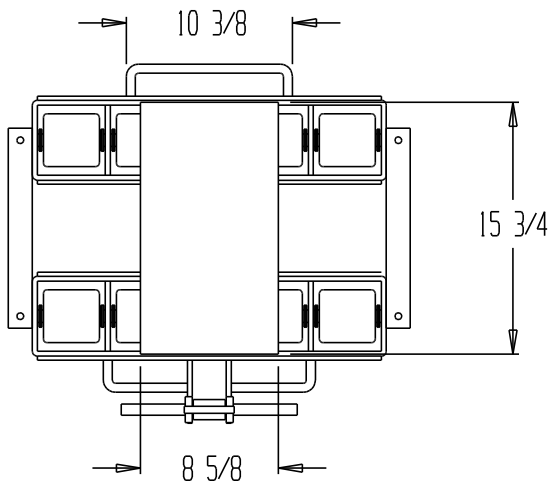


STEERABLE MACHINERY SKATE - SSKT-12



STANDARD FEATURES

MODEL NUMBER: SSKT-12
 CAPACITY: 24,000 LBS
 OVERALL WIDTH: 22 7/16"
 OVERALL LENGTH: 25 1/8"
 OVERALL HEIGHT: 4 9/16"
 (8) STEEL ROLLERS

SPECIAL FEATURES

NONE

PRODUCTION WILL START UPON
 RECEIPT OF SIGNED APPROVAL
 DRAWING

**SPECIAL UNITS ARE NON-RETURNABLE
 *AVAILABLE AT ADDITIONAL COSTS

APPROVAL

I, the undersigned, hereby approve this print
 As drawn As marked
 This includes my approval of design & dimensions.
 Signed: _____
 Date: _____

DISTRIBUTOR'S NAME: HOF EQUIPMENT COMPANY PH: 888-990-1150		P.O.#: -
DRAWN BY: KY	DATE: 9/17/04	W.O.#: -
REFERENCE: -	DRWG./FILE NAME: 33-007-131	SALES: -
scale: 1:12		