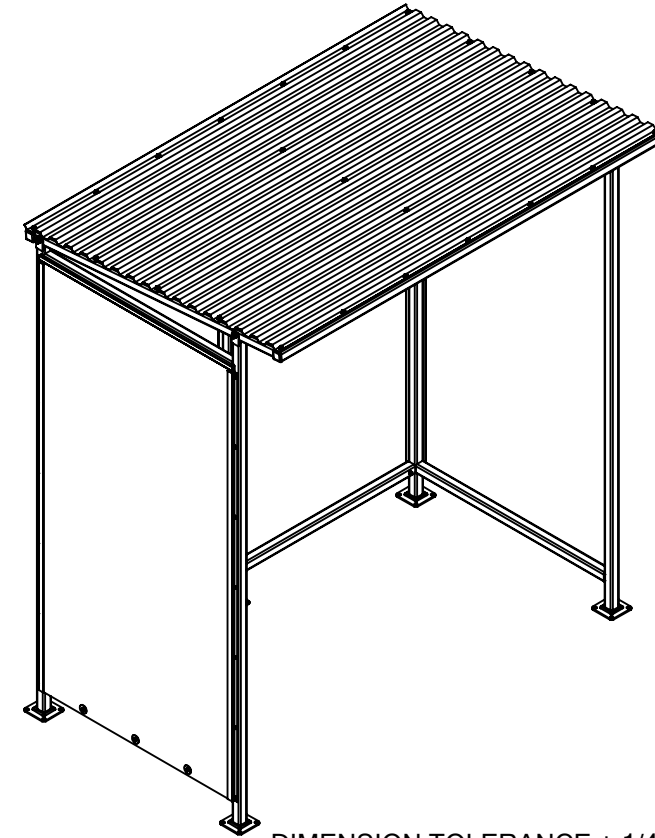
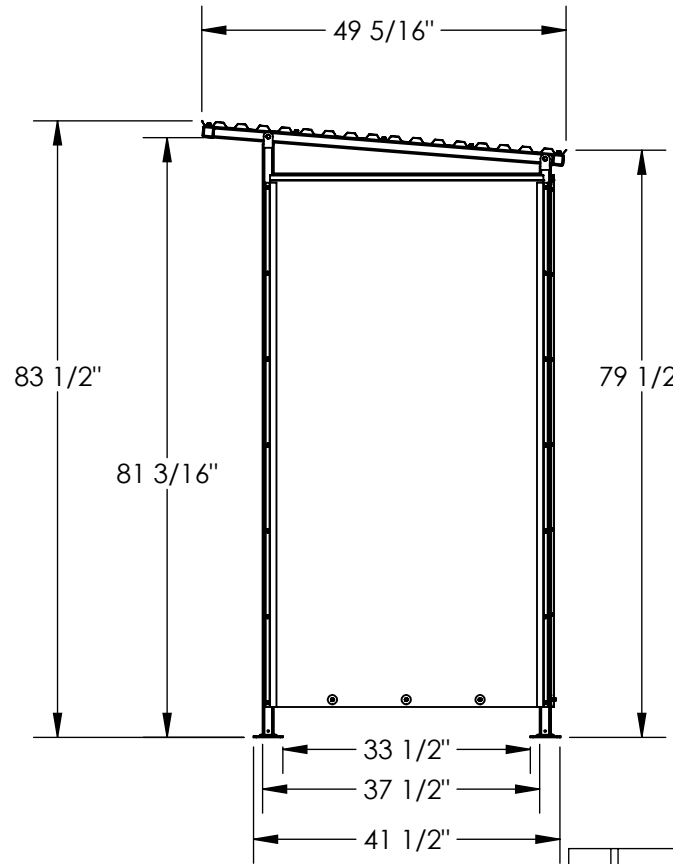
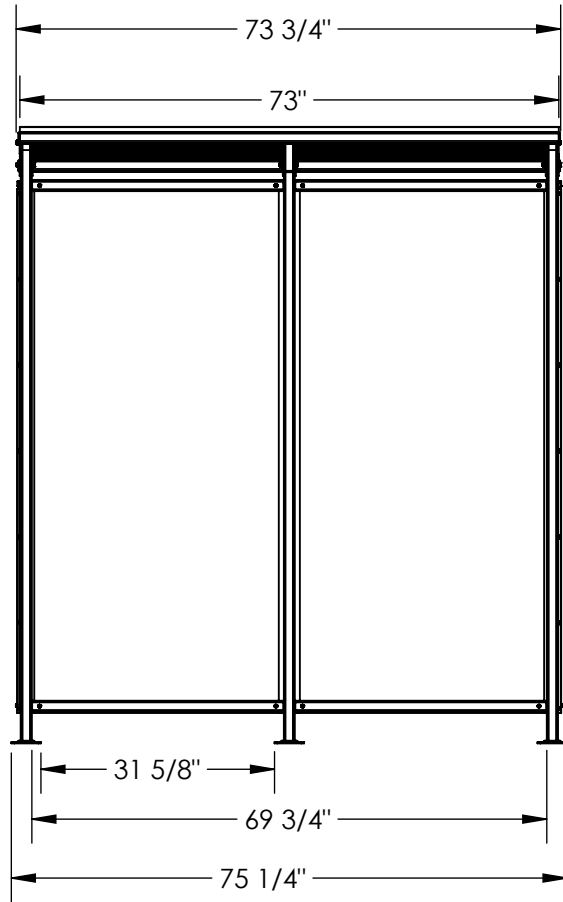


SMOKING SHELTER - SSH-7939-80

APPROX WEIGHT: 368.50 lbs.
DOES NOT INCLUDE WEIGHT OF POWER OR PACKAGING!!!

*** ANY ADDITIONS, DELETIONS, OR OMISSIONS MUST BE CORRECTED ON THIS DRAWING AS THIS DRAWING WILL BE CONSIDERED ALL INCLUSIVE ***

ALL GRAPHICS PROVIDED ARE FOR REFERENCE ONLY. IF CERTAIN DIMENSIONS ARE CRITICAL PLEASE VERIFY THOSE DIMENSIONS WITH YOUR SALESPERSON



DIMENSION TOLERANCE $\pm 1/4"$

STANDARD FEATURES

- MODEL NUMBER IS SSH-7939-80
- OVERALL DEPTH IS 49 5/16"
- USABLE DEPTH IS 37 1/2"
- OVERALL WIDTH IS 75 1/4"
- USABLE WIDTH IS 69 3/4"
- OVERALL HEIGHT IS 83 1/2"
- USABLE HEIGHT IS 81 3/16"
- SEMI-CLEAR POLYCARBONATE SIDE PANELS
- CORRUGATED POLYCARBONATE ROOF
- WELDED STEEL CONSTRUCTION
- MOUNTING PLATES FOR ANCHORING
- TOUGH BAKED IN POWDER COATED SILVER FINISH ON ROOF
- HOLDS SNOW UP TO 45 LBS. PER SQ-FT

SPECIAL FEATURES

NONE

APPROVAL

I, THE UNDERSIGNED, AGREE THAT THE PRODUCT AS REPRESENTED SATISFIES DESIGN AND DIMENSION REQUIREMENTS. I ALSO ACKNOWLEDGE MY DUTY TO CONFIRM PRODUCT AND INSTALLATION COMPLIANCE WITH ALL APPLICABLE FEDERAL, STATE AND LOCAL REGULATIONS AND STANDARDS.

ANY MODIFIED UNITS ARE NON-RETURNABLE

[] As drawn [] As marked

Signed: _____ Date: _____

Printed Name: _____

LEAD TIME WILL START UPON RECEIPT OF SIGNED APPROVAL DRAWING

FOR INTERNAL USE ONLY PROJECT SIGN OFF	
SALES	
ENG.	
FAB.	
POWER	

DISTRIBUTOR'S NAME: HOF EQUIPMENT COMPANY PH: 888-990-1150		P.O.# X
DRAWN BY: ND		W.O.# X
DATE: 4/15/09		SALES: X
REFERENCE: X	SCALE: 1:26	FILE NAME:
QUOTED LEAD TIME: X	QUOTE # X	41-007-014