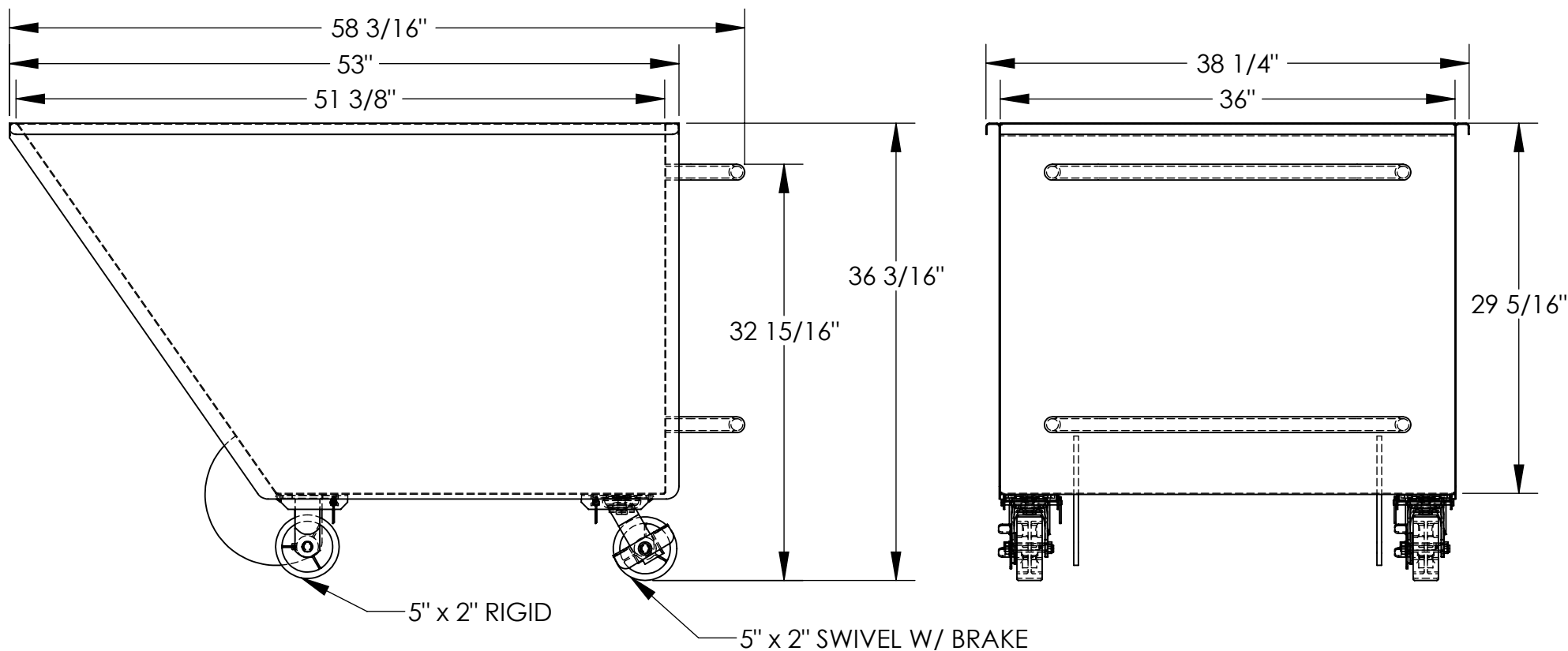


PORTABLE STEEL DUMP TRUCK - SPTT-10

APPROX WEIGHT: 198.1 lbs.
DOES NOT INCLUDE WEIGHT OF POWER OR PACKAGING!!!

*** ANY ADDITIONS, DELETIONS, OR OMISSIONS MUST BE CORRECTED ON THIS DRAWING AS THIS DRAWING WILL BE CONSIDERED ALL INCLUSIVE ***

ALL GRAPHICS PROVIDED ARE FOR REFERENCE ONLY. IF CERTAIN DIMENSIONS ARE CRITICAL PLEASE VERIFY THOSE DIMENSIONS WITH YOUR SALESPERSON



STANDARD FEATURES

- MODEL NUMBER: SPTT-10
- OVERALL WIDTH IS: 38 1/4"
- OVERALL LENGTH: 58 3/16"
- OVERALL HEIGHT: 36 3/16"
- TRUCK BOX WIDTH: 36"
- TRUCK BOX LENGTH: 51 3/8"
- TRUCK BOX DEPTH: 29 5/16"
- TRUCK VOLUME: 27 CU-FT; 1 CU-YD
- TRUCK CAPACITY: 1,500 LBS.
- CASTERS: (2) 5" x 2" SWIVEL POLY ON STEEL W/ BRAKES
(2) 5" x 2" RIGID POLY ON STEEL
- TOUGH BAKED IN POWDER COATED BLUE FINISH

SPECIAL FEATURES

NONE

DIMENSION TOLERANCE ± 1/4"

A P P R O V A L

I, THE UNDERSIGNED, AGREE THAT THE PRODUCT AS REPRESENTED SATISFIES DESIGN AND DIMENSION REQUIREMENTS. I ALSO ACKNOWLEDGE MY DUTY TO CONFIRM PRODUCT AND INSTALLATION COMPLIANCE WITH ALL APPLICABLE FEDERAL, STATE AND LOCAL REGULATIONS AND STANDARDS.

ANY MODIFIED UNITS ARE NON-RETURNABLE

As drawn As marked

Signed: _____ Date: _____

Printed Name: _____

LEAD TIME WILL START UPON RECEIPT OF SIGNED APPROVAL DRAWING

FOR INTERNAL USE ONLY PROJECT SIGN OFF	
SALES	
ENG.	
FAB.	
POWER	

DISTRIBUTOR'S NAME:		HOF EQUIPMENT COMPANY		P.O.#	X	
		PH: 888-990-1150		W.O.#	X	
DRAWN BY:		W. STALEY	DATE:	03/07/08	SALES:	X
REFERENCE:		X	SCALE: 1:12		FILE NAME:	
QUOTED LEAD TIME:		X	QUOTE #	X	37-007-067	