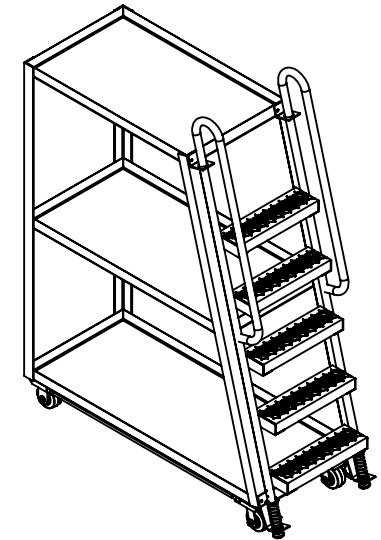
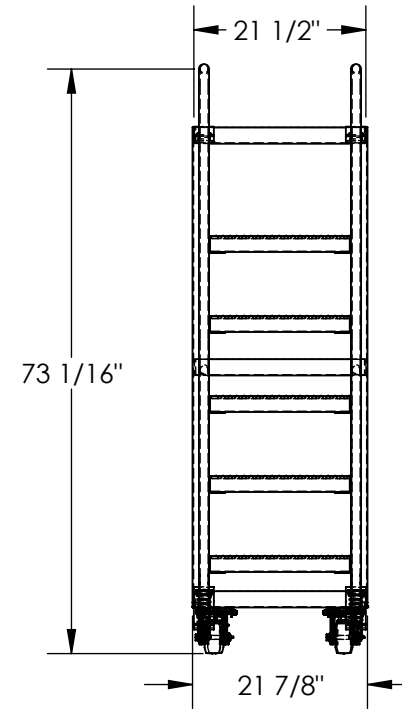
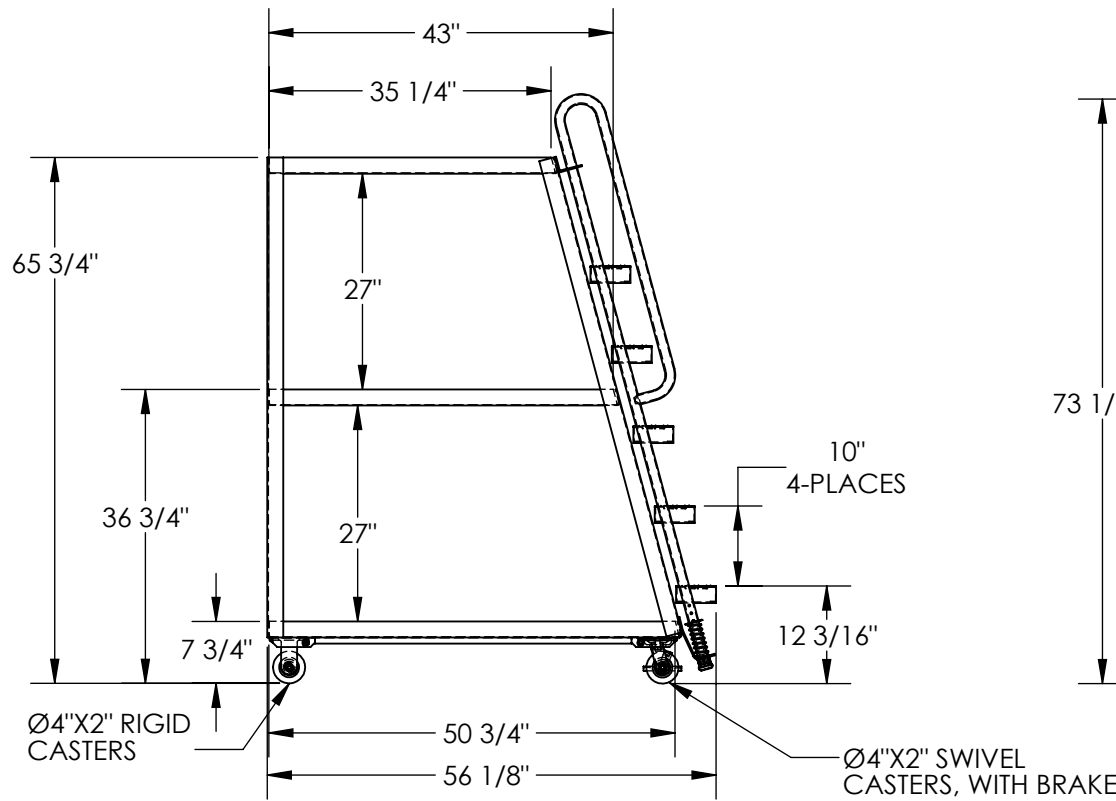


HI-FRAME STOCKPICKER TRUCK - SPS-HF-2252

APPROX WEIGHT: 200.20 lbs.
DOES NOT INCLUDE WEIGHT OF POWER OR PACKAGING!!!

*** ANY ADDITIONS, DELETIONS, OR OMISSIONS MUST BE CORRECTED ON THIS DRAWING AS THIS DRAWING WILL BE CONSIDERED ALL INCLUSIVE ***

ALL GRAPHICS PROVIDED ARE FOR REFERENCE ONLY. IF CERTAIN DIMENSIONS ARE CRITICAL PLEASE VERIFY THOSE DIMENSIONS WITH YOUR SALESPERSON



DIMENSION TOLERANCE $\pm 1/4$ "

STANDARD FEATURES

- MODEL NUMBER IS SPS-HF-2252
- MAX CAPACITY PER SHELF IS 500 LBS.
- MAX CAPACITY TOTAL IS 1,000 LBS.
- OVERALL WIDTH IS 21 7/8"
- USABLE WIDTH IS 21 1/2"
- OVERALL LENGTH IS 56 1/8"
- OVERALL HEIGHT IS 73 1/16"
- TOP SHELF SIZE (USABLE) IS 21 1/2" X 35 1/4"
- MIDDLE SHELF SIZE (USABLE) IS 21 1/2" X 43"
- BOTTOM SHELF SIZE (USABLE) IS 21 1/2" X 50 3/4"
- SHELF CLEARANCE IS 27"
- TOUGH BAKED IN POWDER COATED BLUE FINISH
- (2) 4"X2" MOLD-ON RUBBER RIGID CASTER
- (2) 4"X2" MOLD ON RUBBER SWIVEL CASTER WITH BRAKE
- LADDER CAPACITY IS 350 LBS.

SPECIAL FEATURES

NONE

APPROVAL	I, THE UNDERSIGNED, AGREE THAT THE PRODUCT AS REPRESENTED SATISFIES DESIGN AND DIMENSION REQUIREMENTS. I ALSO ACKNOWLEDGE MY DUTY TO CONFIRM PRODUCT AND INSTALLATION COMPLIANCE WITH ALL APPLICABLE FEDERAL, STATE AND LOCAL REGULATIONS AND STANDARDS.	
	ANY MODIFIED UNITS ARE NON-RETURNABLE	
	[] As drawn	[] As marked
	Signed: _____ Date: _____	
Printed Name: _____		
<i>LEAD TIME WILL START UPON RECEIPT OF SIGNED APPROVAL DRAWING</i>		

FOR INTERNAL USE ONLY PROJECT SIGN OFF	
SALES	
ENG.	
FAB.	
POWER	

DISTRIBUTOR'S NAME: HOF EQUIPMENT COMPANY		P.O.# X
PH: 888-990-1150		W.O.# X
DRAWN BY: CJC	DATE: 10/5/2015	SALES: X
REFERENCE: X	SCALE: 1:24	FILE NAME:
QUOTED LEAD TIME: X	QUOTE # X	32-007-024