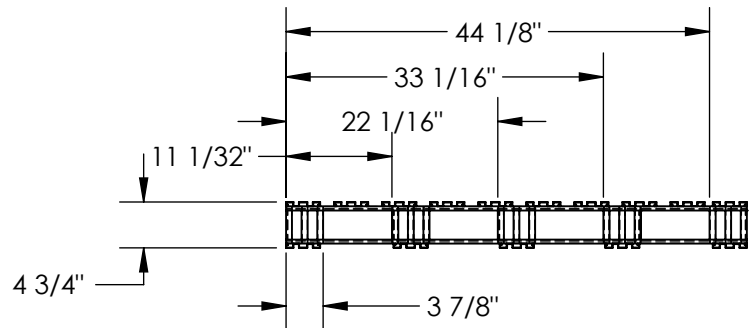
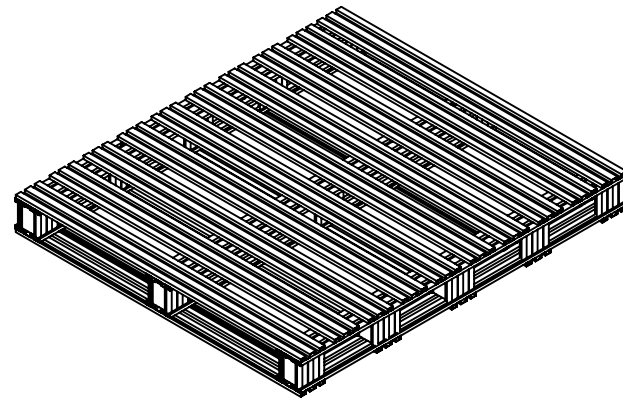
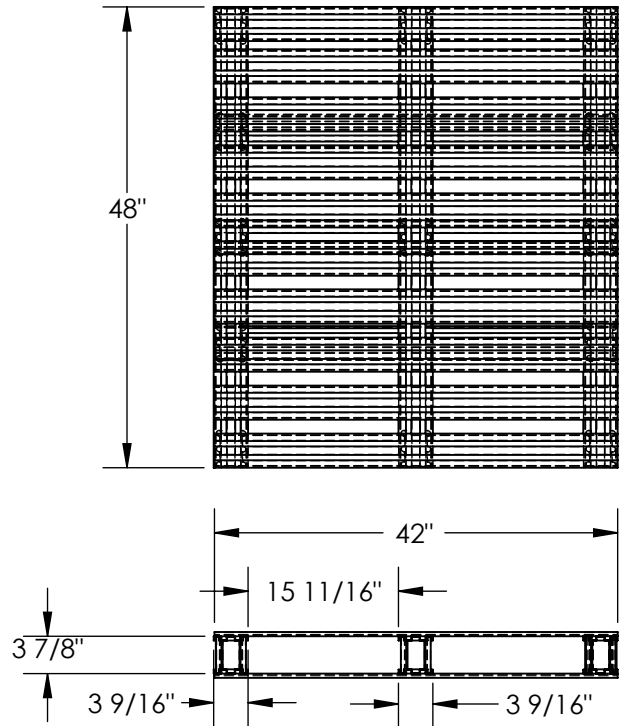


STEEL PALLET WITH GALVANIZED FINISH- SPL-4248

*** ANY ADDITIONS, DELETIONS, OR OMISSIONS MUST BE CORRECTED ON THIS DRAWING AS THIS DRAWING WILL BE CONSIDERED ALL INCLUSIVE ***
 ALL GRAPHICS PROVIDED ARE FOR REFERENCE ONLY. IF CERTAIN DIMENSIONS ARE CRITICAL PLEASE VERIFY THOSE DIMENSIONS WITH YOUR SALESPERSON



STANDARD FEATURES

- MODEL NUMBER IS SPL-4248
- OVERALL WIDTH IS 42"
- OVERALL LENGTH IS 48"
- OVERALL HEIGHT IS 4 3/4"
- FLOOR (STATIC) WEIGHT CAPACITY: 8,000 LBS
- FORK (DYNAMIC) WEIGHT CAPACITY: 4,000 LBS
- UNSUPPORTED PALLET RACK WEIGHT CAPACITY: 2,200 LBS
- FORK OPENINGS (W X H): 15 11/16" X 3 7/8"
- GALVANIZED FINISH FOR RUST RESISTANCE
- MATERIAL THICKNESS IS 19 GA. (1 mm OR .042")
- APPROXIMATE WEIGHT IS 64 LBS

SPECIAL FEATURES

NONE

DIMENSION TOLERANCE ± 1/4"

A P P R O V A L	I, THE UNDERSIGNED, AGREE THAT THE PRODUCT AS REPRESENTED SATISFIES DESIGN AND DIMENSION REQUIREMENTS. I ALSO ACKNOWLEDGE MY DUTY TO CONFIRM PRODUCT AND INSTALLATION COMPLIANCE WITH ALL APPLICABLE FEDERAL, STATE AND LOCAL REGULATIONS AND STANDARDS.	
	UNITS REQUIRING APPROVAL DRAWINGS OR MODIFIED ARE NON-RETURNABLE	
	[] As drawn	[] As marked
	Signed: _____ Date: _____	
Printed Name: _____		
<i>LEAD TIME WILL START UPON RECEIPT OF SIGNED APPROVAL DRAWING</i>		

FOR INTERNAL USE ONLY PROJECT SIGN OFF	
SALES	
ENG.	
FAB.	
POWER	

DISTRIBUTOR'S NAME: HOF Equipment Company		P.O.# X
		W.O.# X
DRAWN BY: D YORK	DATE: 12/29/10	SALES: X
REFERENCE: X	SCALE: 1:24	FILE NAME: 30-007-117
QUOTED LEAD TIME: X	QUOTE # X	