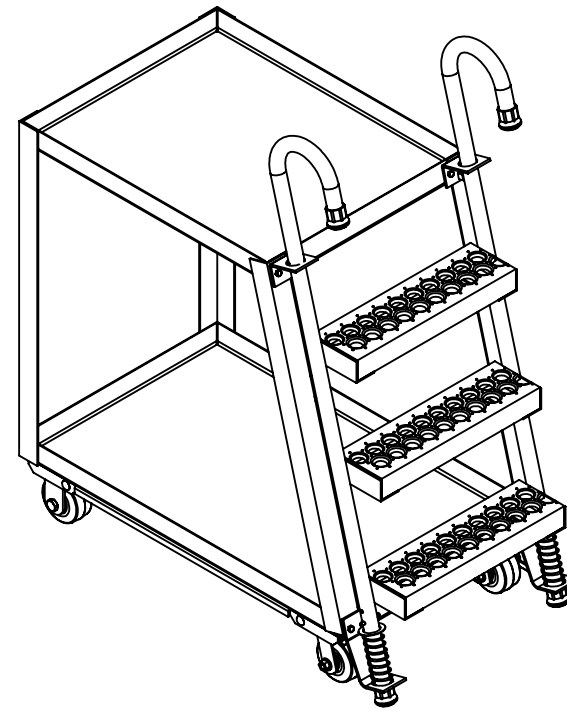
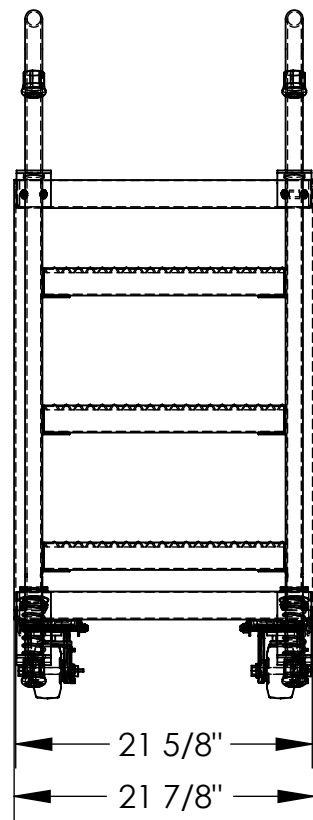
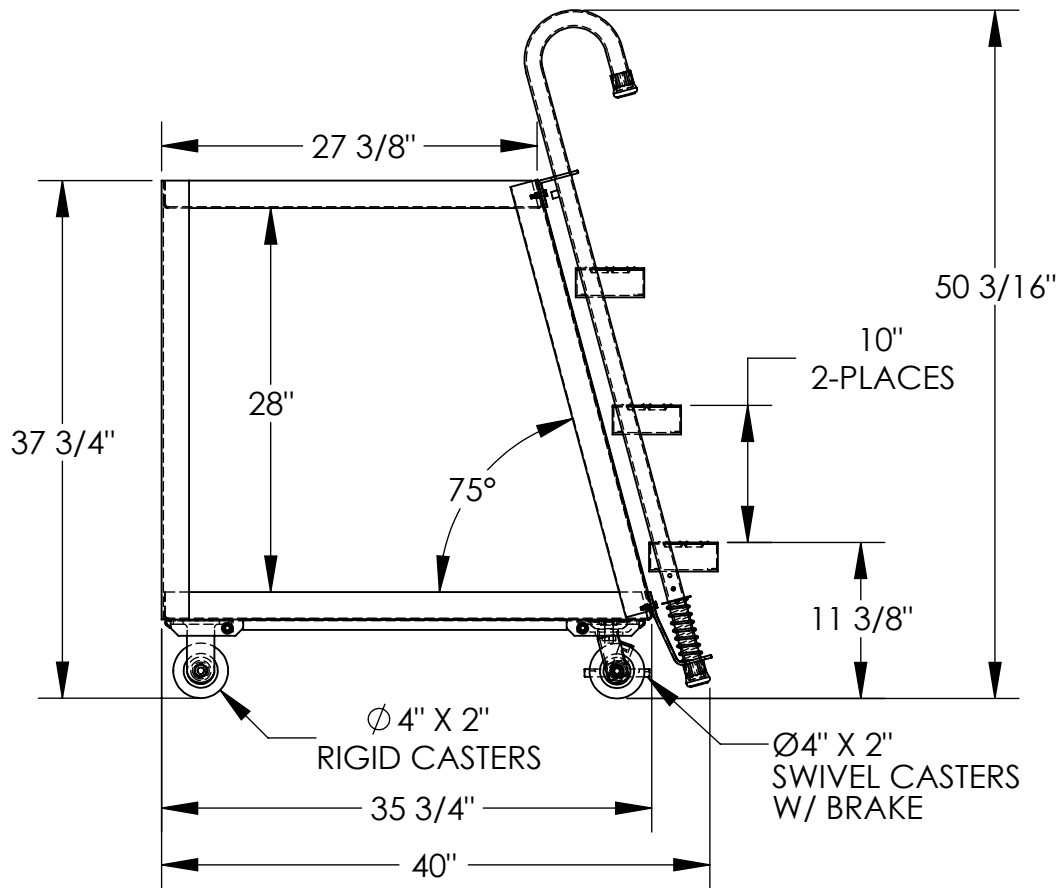


2-SHELF STOCKPICKER TRUCK - SPA2-2236

APPROX WEIGHT: 78.22 lbs.
DOES NOT INCLUDE WEIGHT OF POWER OR PACKAGING!!!

*** ANY ADDITIONS, DELETIONS, OR OMISSIONS MUST BE CORRECTED ON THIS DRAWING AS THIS DRAWING WILL BE CONSIDERED ALL INCLUSIVE ***

ALL GRAPHICS PROVIDED ARE FOR REFERENCE ONLY. IF CERTAIN DIMENSIONS ARE CRITICAL PLEASE VERIFY THOSE DIMENSIONS WITH YOUR SALESPERSON



3D SHOWN FOR REFERENCE ONLY

DIMENSION TOLERANCE $\pm 1/4"$

STANDARD FEATURES

- MODEL NUMBER IS SPA2-2236
- CAPACITY: 660 LBS. TOTAL
(330 LBS. PER SHELF)
- OVERALL WIDTH IS 21 7/8"
- OVERALL LENGTH IS 40"
- OVERALL HEIGHT IS 50 3/16"
- BOTTOM SHELF SIZE: 21 5/8" X 35 3/4"
- TOP SHELF SIZE: 21 5/8" X 27 3/8"
- TOP SHELF HEIGHT: 37 3/4"
- SHELF CLEARANCE: 28"
- (2) 4X2 MOLD-ON-RUBBER SWIVEL
CASTER WITH BRAKE
- (2) 4x2 MOLD-ON-RUBBER RIGID CASTER
ALUMINUM FRAME CONSTRUCTION
- STEEL LADDER WITH TOUGH BAKED IN
POWDER COATED SILVER FINISH
- LADDER CAPACITY IS 350 LBS

SPECIAL FEATURES

NONE

APPROVAL

I, THE UNDERSIGNED, AGREE THAT THE PRODUCT AS REPRESENTED SATISFIES DESIGN AND DIMENSION REQUIREMENTS. I ALSO ACKNOWLEDGE MY DUTY TO CONFIRM PRODUCT AND INSTALLATION COMPLIANCE WITH ALL APPLICABLE FEDERAL, STATE AND LOCAL REGULATIONS AND STANDARDS.

ANY MODIFIED UNITS ARE NON-RETURNABLE

As drawn As marked

Signed: _____ Date: _____

Printed Name: _____

LEAD TIME WILL START UPON RECEIPT OF SIGNED APPROVAL DRAWING

FOR INTERNAL USE ONLY
PROJECT SIGN OFF

SALES	
ENG.	
FAB.	
POWER	

DISTRIBUTOR'S NAME:
HOF EQUIPMENT COMPANY
PH: 888-990-1150

P.O.# X

W.O.# X

DRAWN BY: ND

DATE: 8/31/05

SALES: X

REFERENCE: X

SCALE: 1:14
FILE NAME:

QUOTED LEAD TIME: X

QUOTE # X

32-007-007