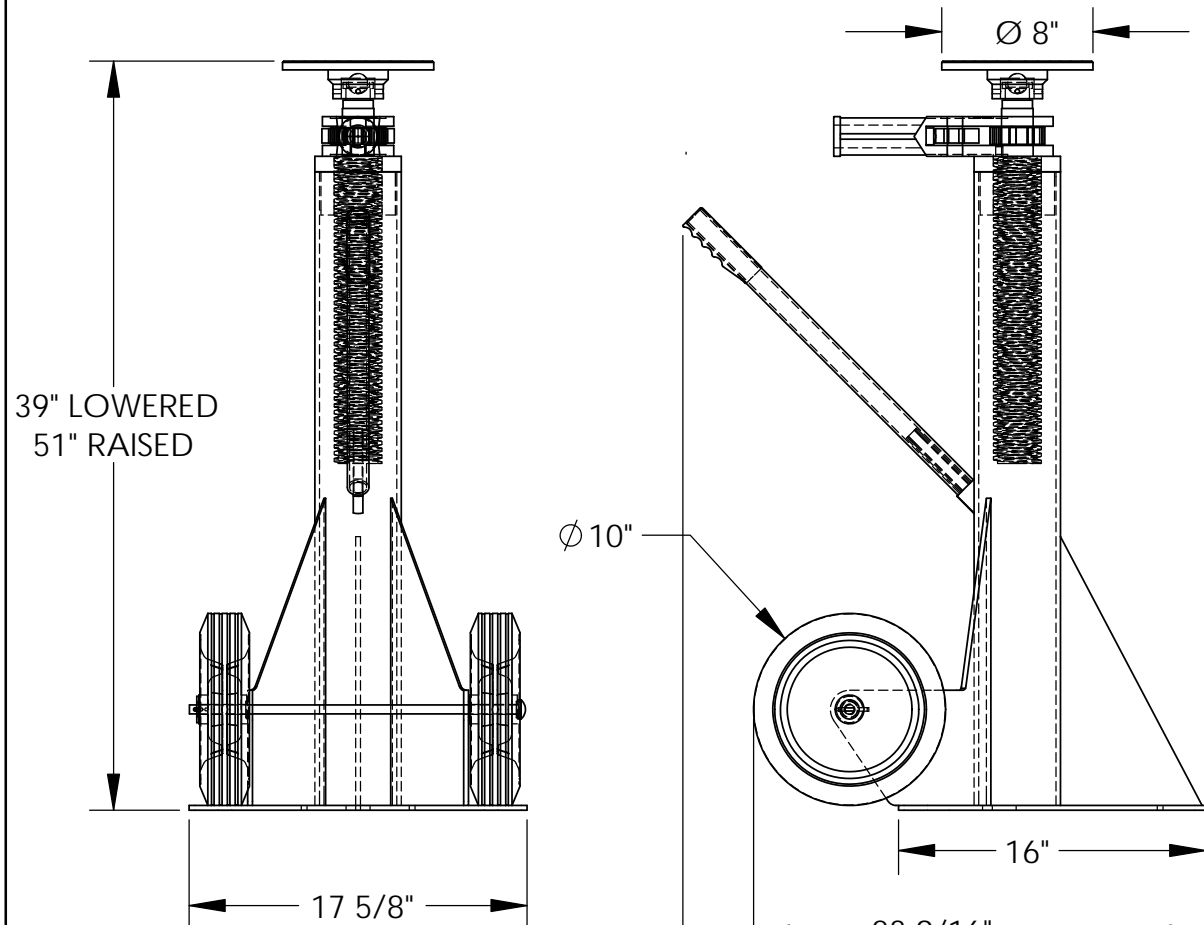


# RATCHET TRAILER STABILIZING JACK - SP-TOP-R-100

APPROX WEIGHT: 119.90 lbs.  
DOES NOT INCLUDE WEIGHT OF POWER OR PACKAGING!!!

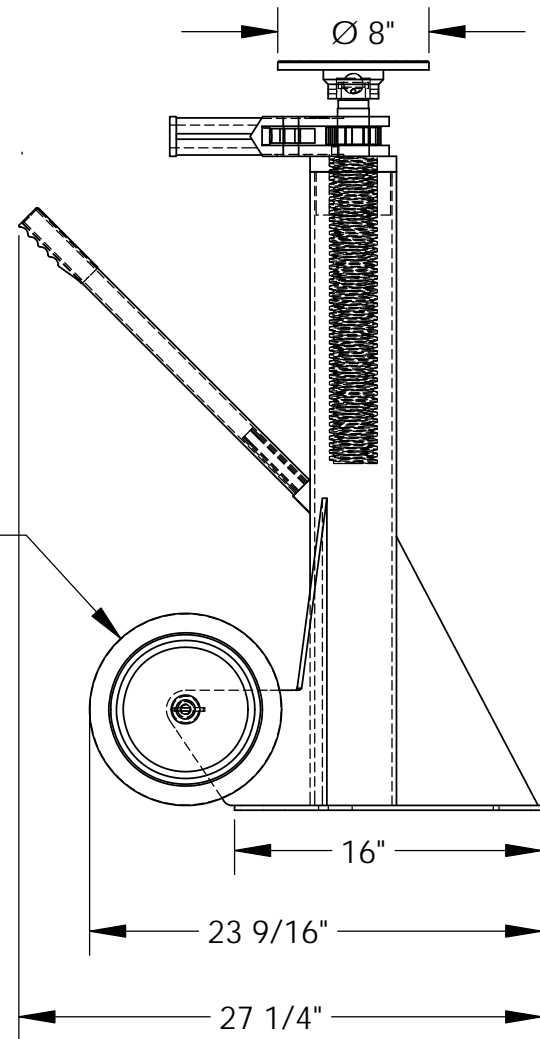
\*\*\* ANY ADDITIONS, DELETIONS, OR OMISSIONS MUST BE CORRECTED ON THIS DRAWING AS THIS DRAWING WILL BE CONSIDERED ALL INCLUSIVE \*\*\*

ALL GRAPHICS PROVIDED ARE FOR REFERENCE ONLY. IF CERTAIN DIMENSIONS ARE CRITICAL PLEASE VERIFY THOSE DIMENSIONS WITH YOUR SALESPERSON



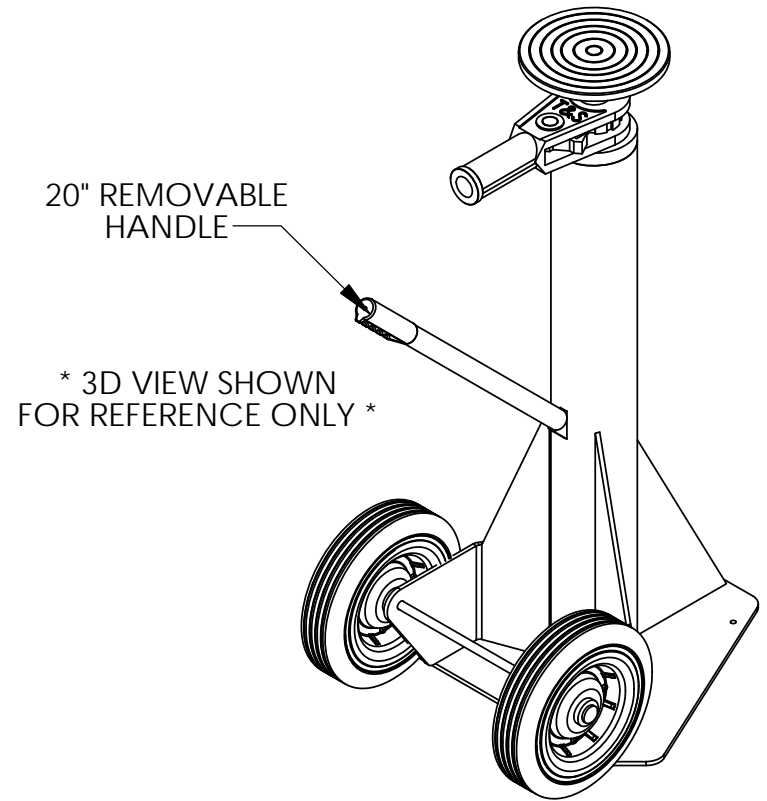
## STANDARD FEATURES

MODEL NUMBER: SP-TOP-R-100  
 OVERALL WIDTH: 17 5/8"  
 OVERALL LENGTH: 27 1/4"  
 SERVICE RANGE: 39" TO 51"  
 STATIC CAPACITY: 100,000 LBS.  
 LIFTING CAPACITY: 50,000 LBS.  
 TOP CAP: 8" DIAMETER  
 WHEEL SIZE IS Ø10"  
 HANDLE LENGTH IS 20"



## SPECIAL FEATURES

NONE



\* 3D VIEW SHOWN FOR REFERENCE ONLY \*

DIMENSION TOLERANCE ± 1/4"

I, THE UNDERSIGNED, AGREE THAT THE PRODUCT AS REPRESENTED SATISFIES DESIGN AND DIMENSION REQUIREMENTS. I ALSO ACKNOWLEDGE MY DUTY TO CONFIRM PRODUCT AND INSTALLATION COMPLIANCE WITH ALL APPLICABLE FEDERAL, STATE AND LOCAL REGULATIONS AND STANDARDS.

**ANY MODIFIED UNITS ARE NON-RETURNABLE**

As drawn       As marked

Signed: \_\_\_\_\_ Date: \_\_\_\_\_

Printed Name: \_\_\_\_\_

LEAD TIME WILL START UPON RECEIPT OF SIGNED APPROVAL DRAWING

APPROVAL

FOR INTERNAL USE ONLY PROJECT SIGN OFF	
SALES	
ENG.	
FAB.	
POWER	

DISTRIBUTOR'S NAME: HOF EQUIPMENT COMPANY		P.O.# X
PH: 888-990-1150		W.O.# X
DRAWN BY: B.NOTHNAGEL	DATE: 11/19/2015	SALES:
REFERENCE: X	SCALE: 1:10	FILE NAME: 13-007-034-002
QUOTED LEAD TIME: X	QUOTE # X	

MAXIMUM WORKING CAPACITY AT GRADE (%)								
0.00%	0.50%	1.00%	1.50%	2.00%	2.50%	3.00%	3.50%	4.00%
100,000	80,000	66,000	55,000	46,000	41,000	37,000	33,000	29,000