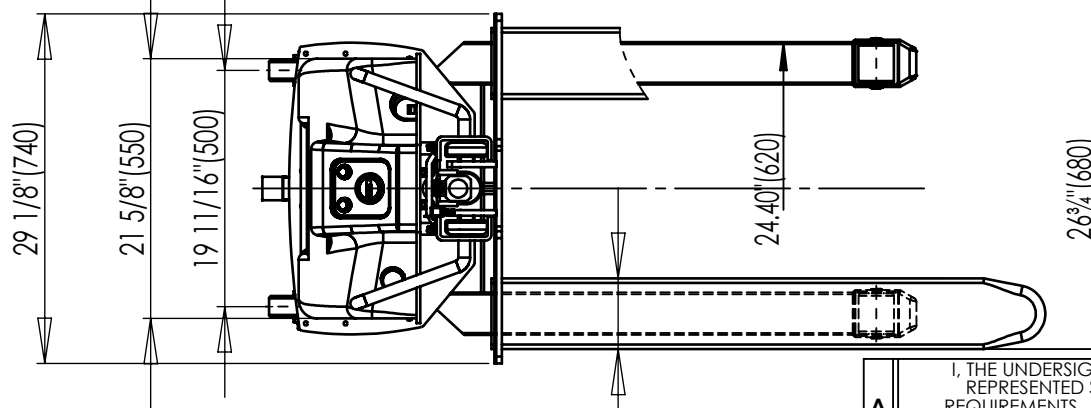
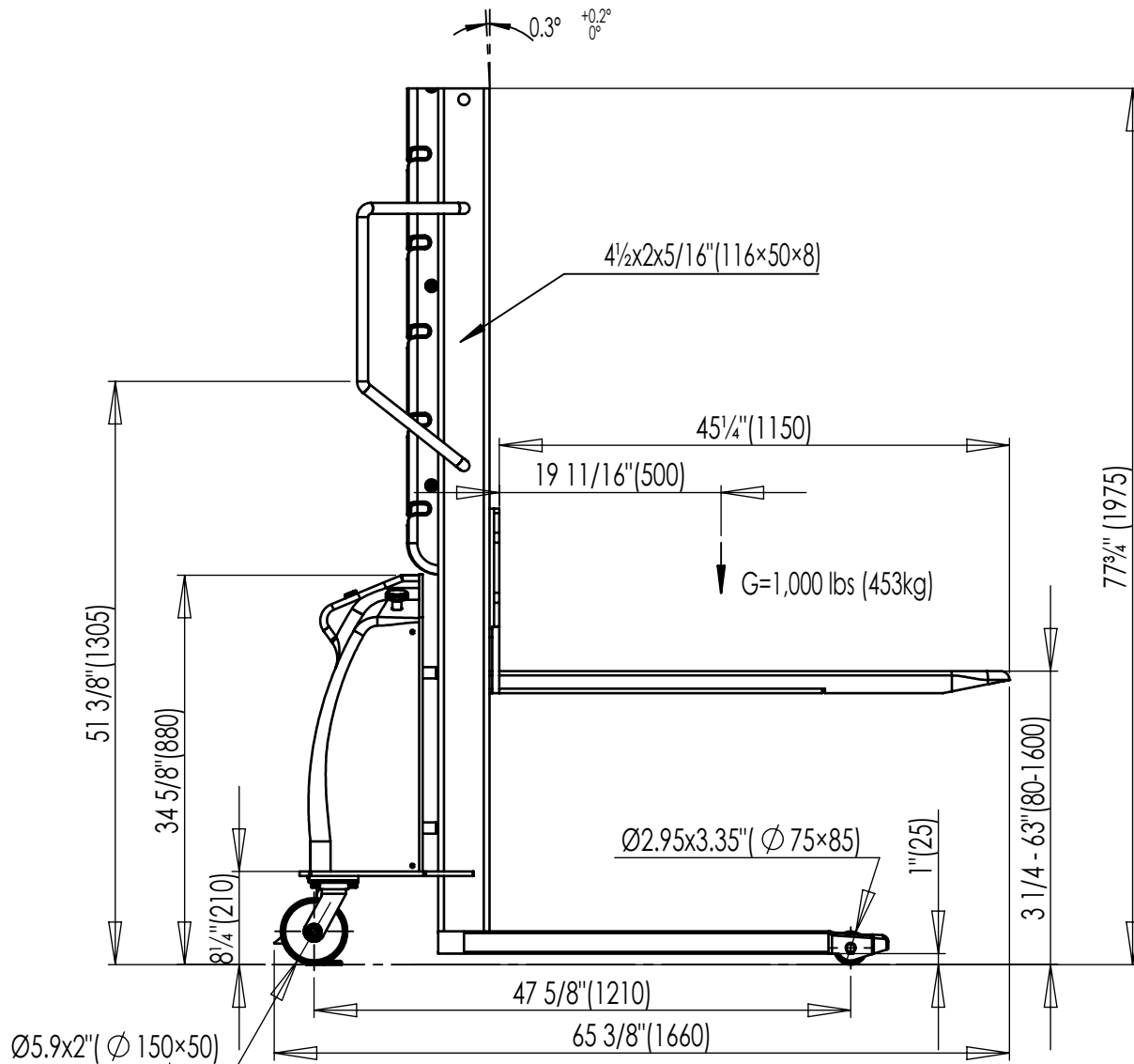


NARROW MAST SEMI-ELECTRIC STACKER - SLNM-63-FF

ANY ADDITIONS, DELETIONS, OR OMISSIONS MUST BE CORRECTED ON THIS DRAWING AS THIS DRAWING WILL BE CONSIDERED ALL INCLUSIVE
 ALL GRAPHICS PROVIDED ARE FOR REFERENCE ONLY. IF CERTAIN DIMENSIONS ARE CRITICAL PLEASE VERIFY THOSE DIMENSIONS WITH YOUR SALESPERSON



STANDARD FEATURES

- MODEL #: SLNM-63-FF
- CAPACITY: 1000 lbs (450 kg)
- LOWERED HEIGHT: 3 1/4" (80mm)
- LIFT MOTOR: DC 12V/1.3 Kw
- BATTERY: 12V
- BATTERY CHARGER: 12V/5amp
- LIFT HEIGHT: 63"
- SINGLE MAST
- TOUGH BAKED IN POWDER COATED BLACK & YELLOW FINISH

APPROVAL

I, THE UNDERSIGNED, AGREE THAT THE PRODUCT AS REPRESENTED SATISFIES DESIGN AND DIMENSION REQUIREMENTS. I ALSO ACKNOWLEDGE MY DUTY TO CONFIRM PRODUCT AND INSTALLATION COMPLIANCE WITH ALL APPLICABLE FEDERAL, STATE AND LOCAL REGULATIONS AND STANDARDS.
ANY MODIFIED UNITS ARE NON-RETURNABLE
 As drawn As marked

Signed: _____ Date: _____
 Printed Name: _____
 LEAD TIME WILL START UPON RECEIPT OF SIGNED APPROVAL DRAWING

DIMENSION TOLERANCE ± 1/2"

FOR INTERNAL USE ONLY PROJECT SIGN OFF		DISTRIBUTOR'S NAME: HOF EQUIPMENT COMPANY PH: 888-990-1150		P.O.# X
SALES		DRAWN BY: TM	DATE: 5/7/2018	W.O.# X
ENG.		REFERENCE: X	SCALE: NTS	SALES: X
FAB.		QUOTED LEAD TIME: X	QUOTE # X	FILE NAME: SLNM-63-FF
POWER				