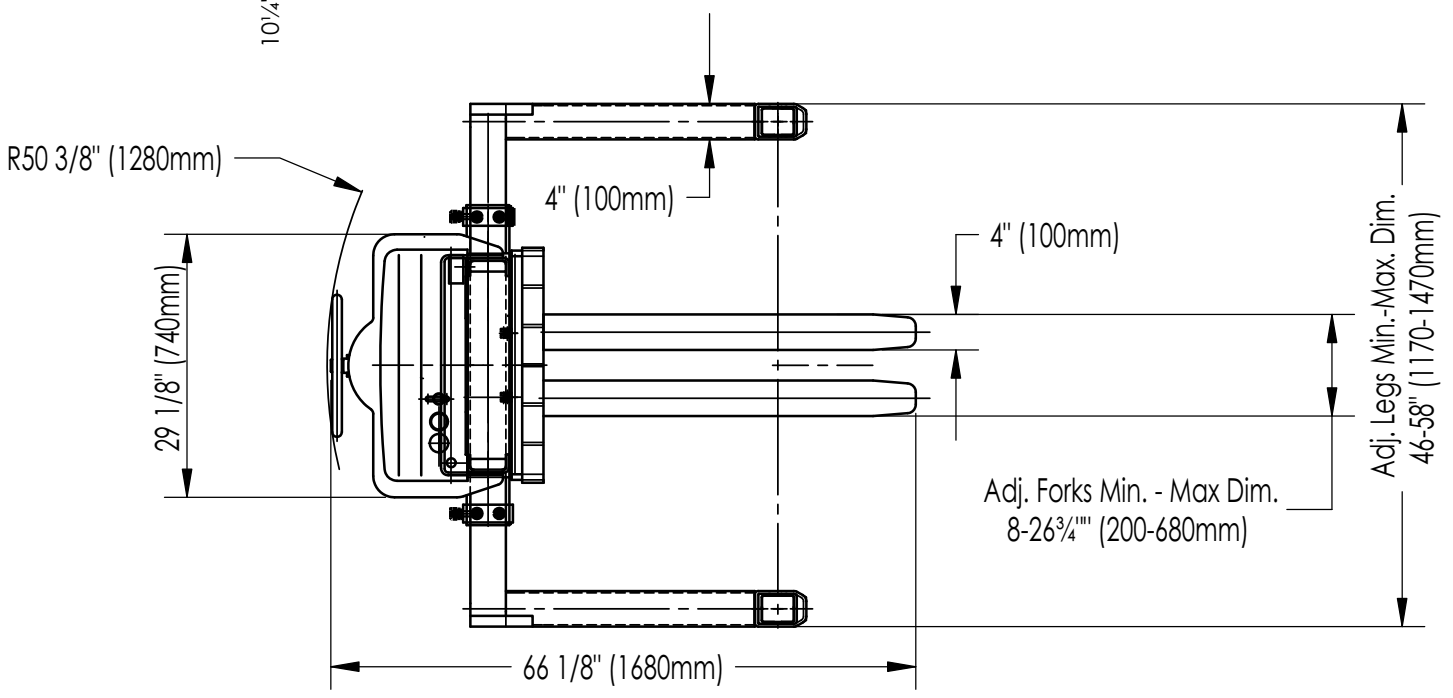
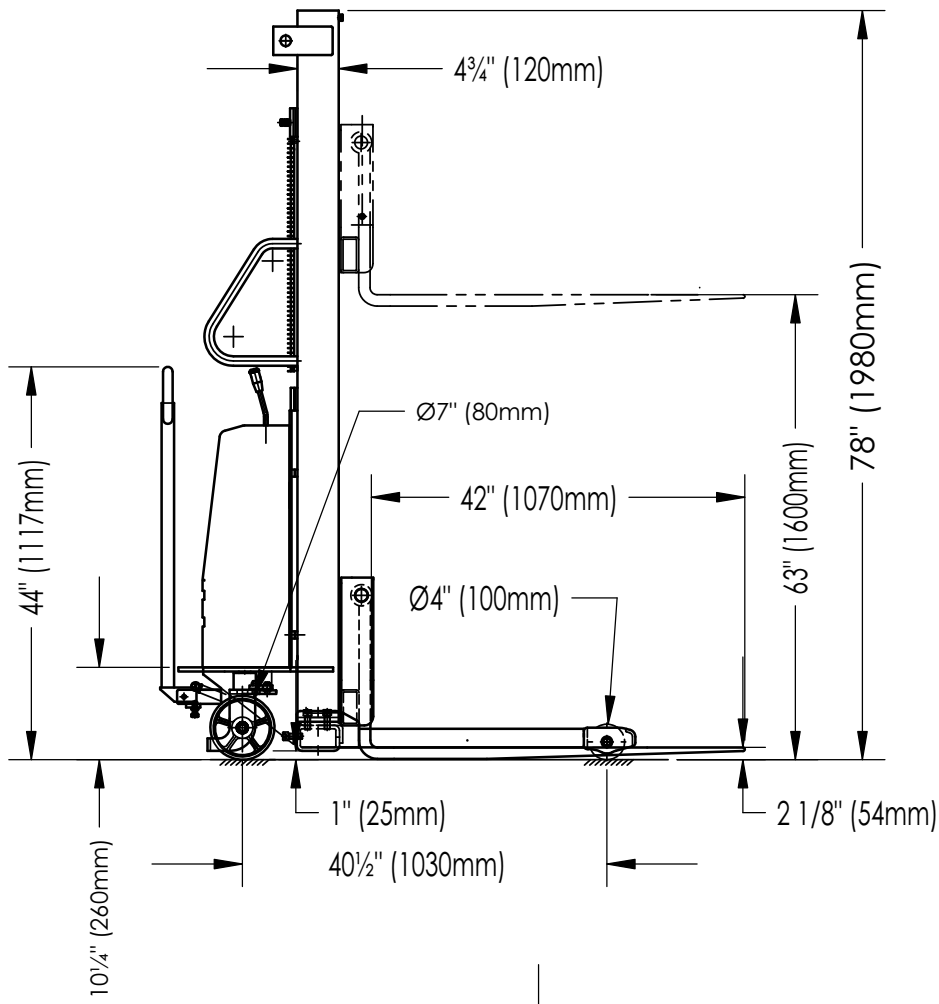


# SL-63-AA - SEMI-ELECTRIC STACKER - ADJUSTABLE FORKS & ADJUSTABLE LEGS

## Specifications

Model # SL-63-AA  
 Capacity (UDL): 2,000 lbs  
 Lift height: 63"  
 Lowered height: 2 1/8"  
 Adjustable forks & adjustable legs  
 Mast: Single  
 Overall mast height: 78"  
 Steering wheel: Ø7x2"  
 Front wheel: Ø4x2.9"

Mast: Double  
 Safety Shield: Yes  
 Lift Motor: DC12V/1.8Kw  
 Battery: (1)12V/140Ah



|                       |                |                              |
|-----------------------|----------------|------------------------------|
| HOF Equipment Company |                |                              |
| DRAWN BY: TM          | DATE: 01/30/14 |                              |
| Reference:            |                | DRWG./FILE NAME:<br>SL-63-AA |