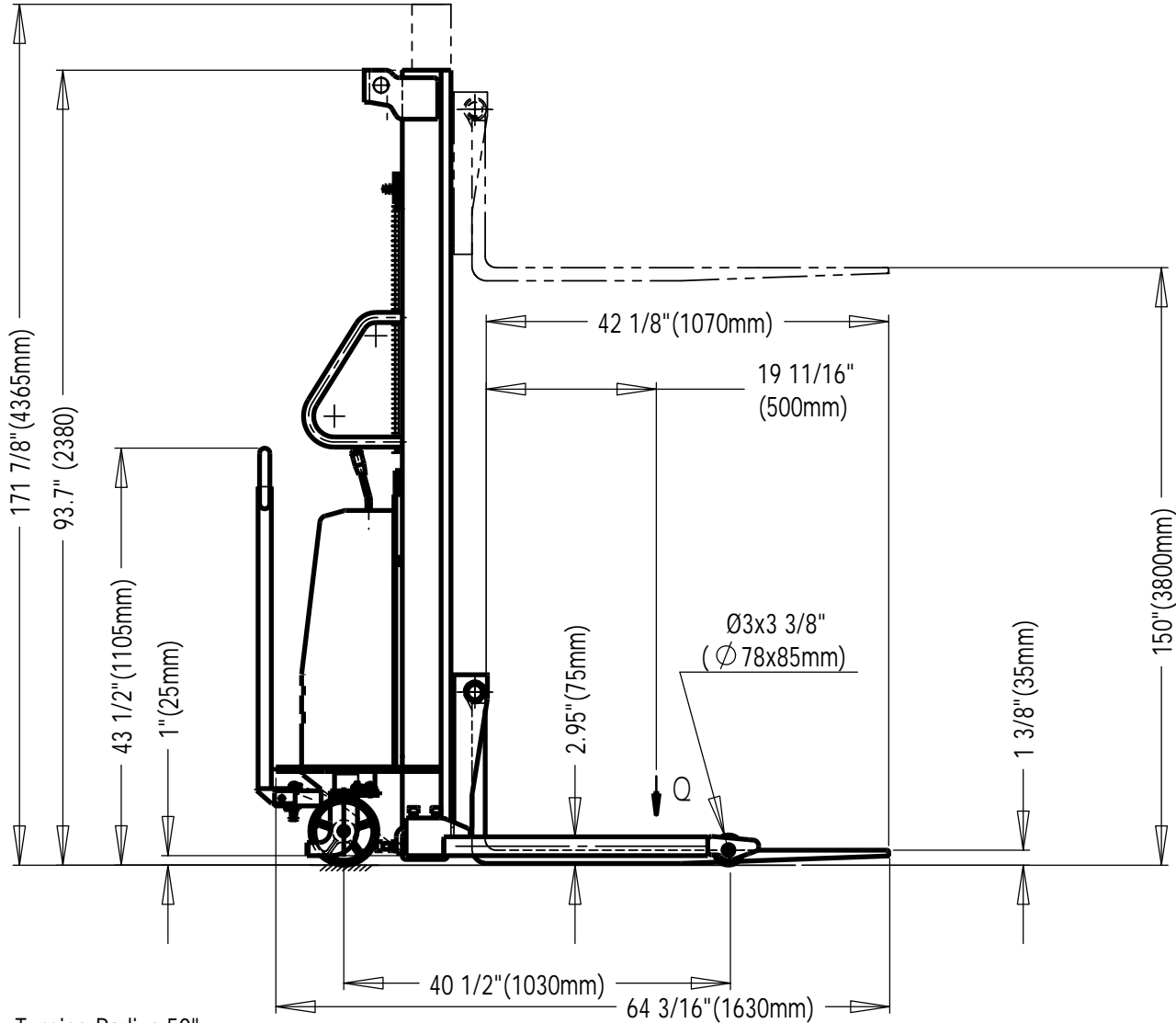
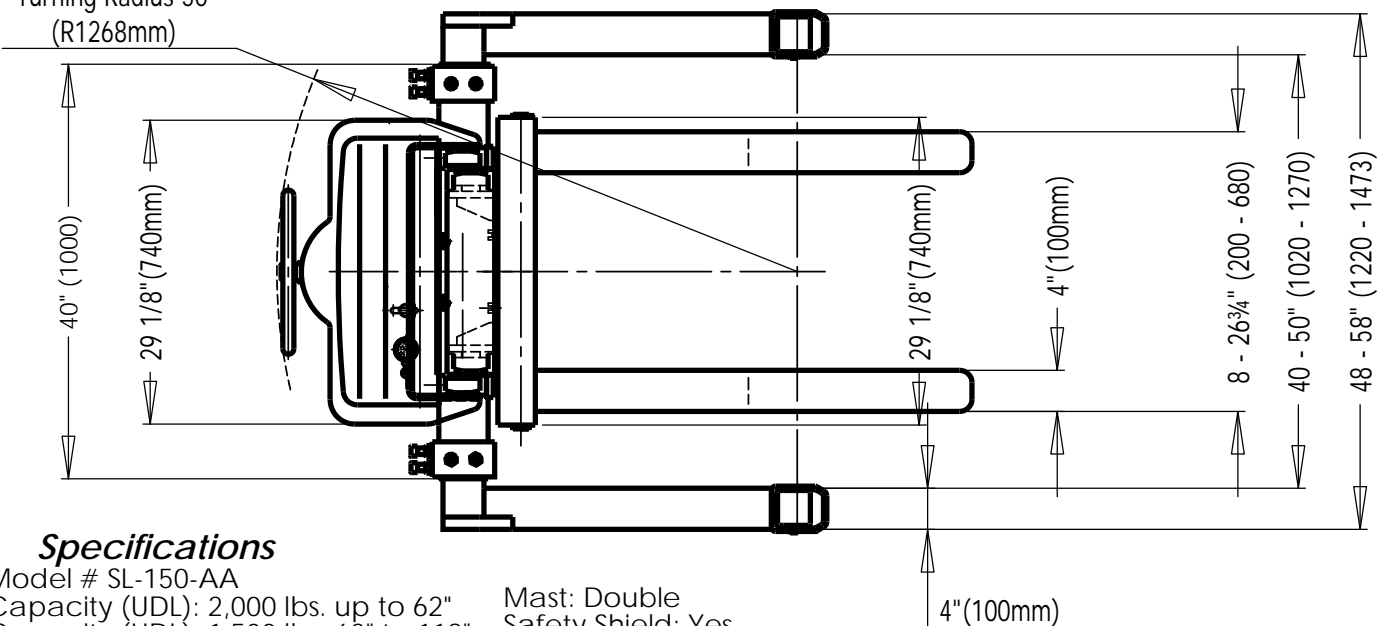


# SL-150-AA (SEMI-ELECTRIC STACKER - ADJUSTABLE LEGS & ADJUSTABLE FORKS)



Turning Radius 50"  
(R1268mm)



## Specifications

Model # SL-150-AA  
 Capacity (UDL): 2,000 lbs. up to 62"  
 Capacity (UDL): 1,500 lbs. 62" to 118"  
 Capacity (UDL): 1,000 lbs. 118" to 137"  
 Capacity (UDL): 750 lbs. 137" to 150"  
 Lift height: 150"  
 Lowered height: 1 3/8"  
 Adjustable Forks & adjustable legs  
 Overall mast height: 171 13/16"

Mast: Double  
 Safety Shield: Yes  
 Steering wheel: Ø7 x 2"  
 Front wheel: Ø4x 2.91"  
 Lift Motor: DC12V/1.8Kw  
 Battery: 1x12V/140Ah

HOF Equipment Company

DRAWN BY: TM | DATE:09/18/12

Reference:

DRWG./FILE NAME:  
SL-150-AA