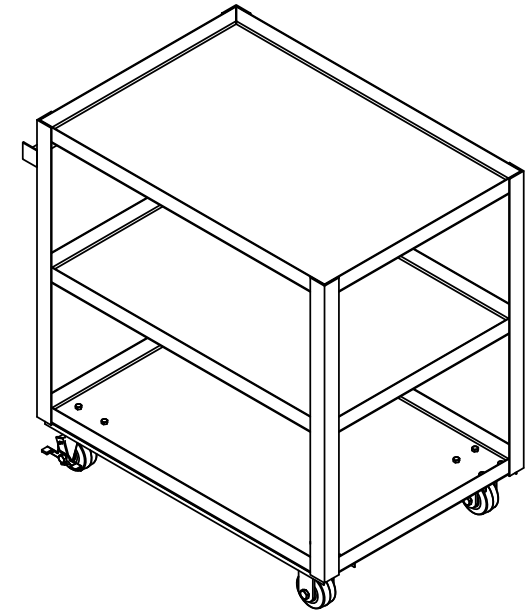
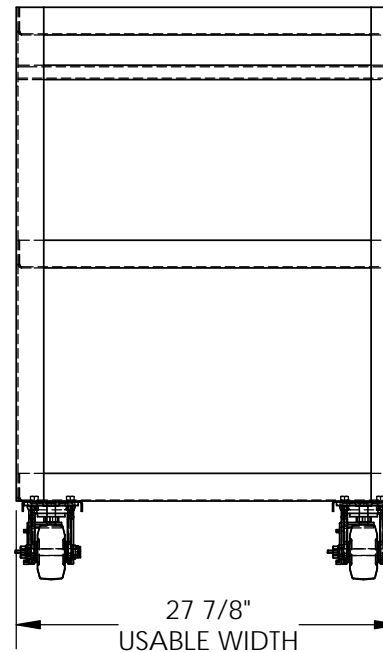
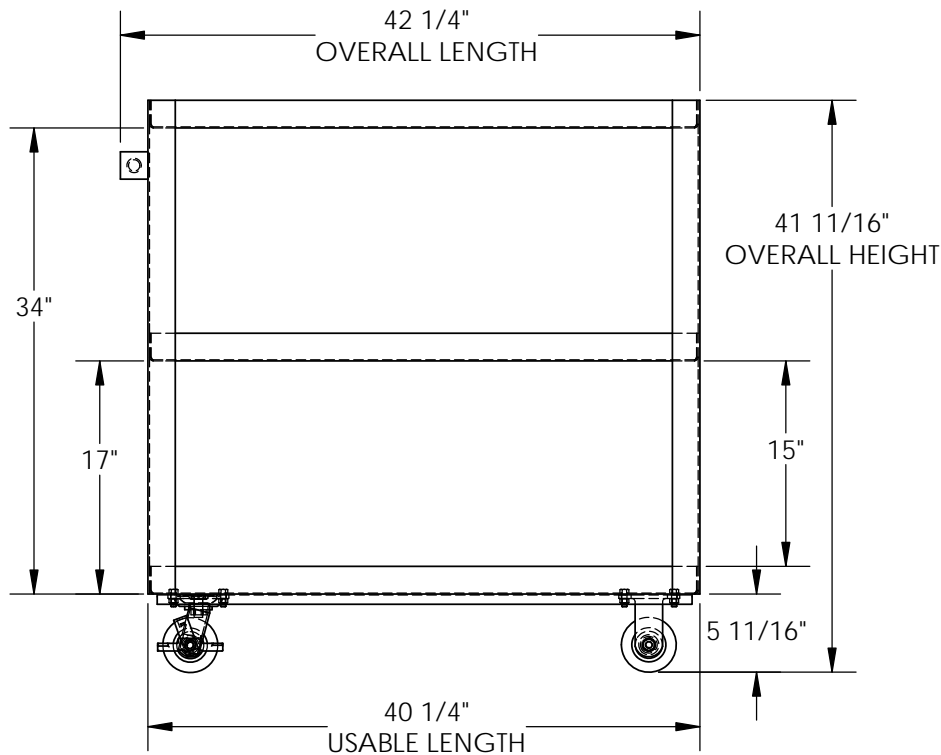


SERVICE CARTS - SCS3-2840

APPROX WEIGHT: 133.86 lbs.
 DOES NOT INCLUDE WEIGHT OF POWER OR PACKAGING!!!

*** ANY ADDITIONS, DELETIONS, OR OMISSIONS MUST BE CORRECTED ON THIS DRAWING AS THIS DRAWING WILL BE CONSIDERED ALL INCLUSIVE ***

ALL GRAPHICS PROVIDED ARE FOR REFERENCE ONLY. IF CERTAIN DIMENSIONS ARE CRITICAL PLEASE VERIFY THOSE DIMENSIONS WITH YOUR SALESPERSON



STANDARD FEATURES

- MODEL NUMBER IS SCS3-2840
- OVERALL WIDTH IS 27 7/8"
- USABLE WIDTH IS 27 7/8"
- OVERALL LENGTH IS 42 1/4"
- USABLE LENGTH IS 40 1/4"
- OVERALL HEIGHT IS 41 11/16"
- MAX CAPACITY IS 1,000 lbs. (550 LBS. PER SHELF)
- STEEL CONSTRUCTION
- SHELF CLEARANCE 15"

SPECIAL FEATURES

NONE

DIMENSION TOLERANCE ± 1/4"

A P P R O V A L	I, THE UNDERSIGNED, AGREE THAT THE PRODUCT AS REPRESENTED SATISFIES DESIGN AND DIMENSION REQUIREMENTS. I ALSO ACKNOWLEDGE MY DUTY TO CONFIRM PRODUCT AND INSTALLATION COMPLIANCE WITH ALL APPLICABLE FEDERAL, STATE AND LOCAL REGULATIONS AND STANDARDS.	
	ALL SPECIAL UNITS ARE NON-RETURNABLE	
	[] As drawn [] As marked	
Signed: _____		Date: _____
LEAD TIME WILL START UPON RECEIPT OF SIGNED APPROVAL DRAWING		

FOR INTERNAL USE ONLY PROJECT SIGN OFF	
SALES	
ENG.	
FAB.	
POWER	

DISTRIBUTOR'S NAME:		HOF EQUIPMENT COMPANY		P.O.#	X
		PH: 888-990-1150		W.O.#	X
DRAWN BY:	B.HORN	DATE:	07/17/14	SALES:	
REFERENCE:	X	SCALE:	1:14	FILE NAME:	
QUOTED LEAD TIME:	X	QUOTE #	X	16-007-110	