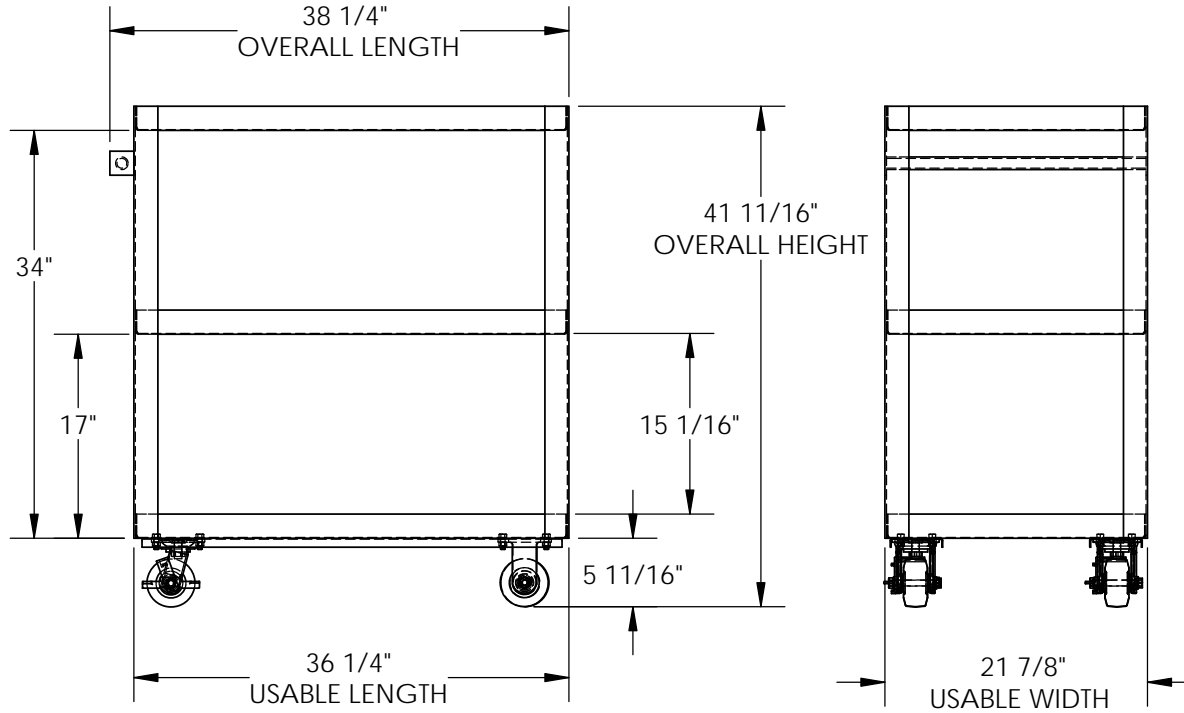


SERVICE CARTS - SCS3-2236

APPROX WEIGHT: 109.41 lbs.
 DOES NOT INCLUDE WEIGHT OF POWER OR PACKAGING!!!

*** ANY ADDITIONS, DELETIONS, OR OMISSIONS MUST BE CORRECTED ON THIS DRAWING AS THIS DRAWING WILL BE CONSIDERED ALL INCLUSIVE ***

ALL GRAPHICS PROVIDED ARE FOR REFERENCE ONLY. IF CERTAIN DIMENSIONS ARE CRITICAL PLEASE VERIFY THOSE DIMENSIONS WITH YOUR SALESPERSON



STANDARD FEATURES

MODEL NUMBER IS SCS3-2236
 OVERALL WIDTH IS 21 7/8"
 USABLE WIDTH IS 21 7/8"
 OVERALL LENGTH IS 38 1/4"
 USABLE LENGTH IS 36 1/4"
 OVERALL HEIGHT IS 41 11/16"
 MAX CAPACITY IS 1,000 lbs. (550 LBS. PER SHELF)
 STEEL FRAME CONSTRUCTION
 SHELF CLEARANCE 15 1/16"

SPECIAL FEATURES

NONE

DIMENSION TOLERANCE ± 1/4"

APPROVAL	I, THE UNDERSIGNED, AGREE THAT THE PRODUCT AS REPRESENTED SATISFIES DESIGN AND DIMENSION REQUIREMENTS. I ALSO ACKNOWLEDGE MY DUTY TO CONFIRM PRODUCT AND INSTALLATION COMPLIANCE WITH ALL APPLICABLE FEDERAL, STATE AND LOCAL REGULATIONS AND STANDARDS. ALL SPECIAL UNITS ARE NON-RETURNABLE <input type="checkbox"/> As drawn <input type="checkbox"/> As marked	
	Signed: _____	Date: _____
LEAD TIME WILL START UPON RECEIPT OF SIGNED APPROVAL DRAWING		

FOR INTERNAL USE ONLY PROJECT SIGN OFF	
SALES	
ENG.	
FAB.	
POWER	

DISTRIBUTOR'S NAME: HOF EQUIPMENT COMPANY		P.O.# X
PH: 888-990-1150		W.O.# X
DRAWN BY: B.HORN	DATE: 07/16/14	SALES:
REFERENCE: X	SCALE: 1:16	FILE NAME:
QUOTED LEAD TIME: X	QUOTE # X	16-007-109