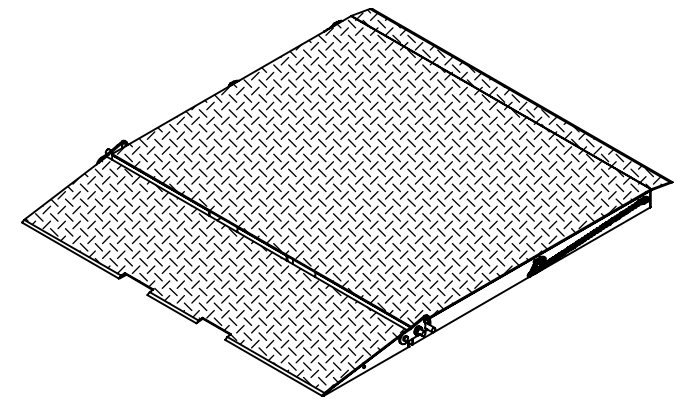
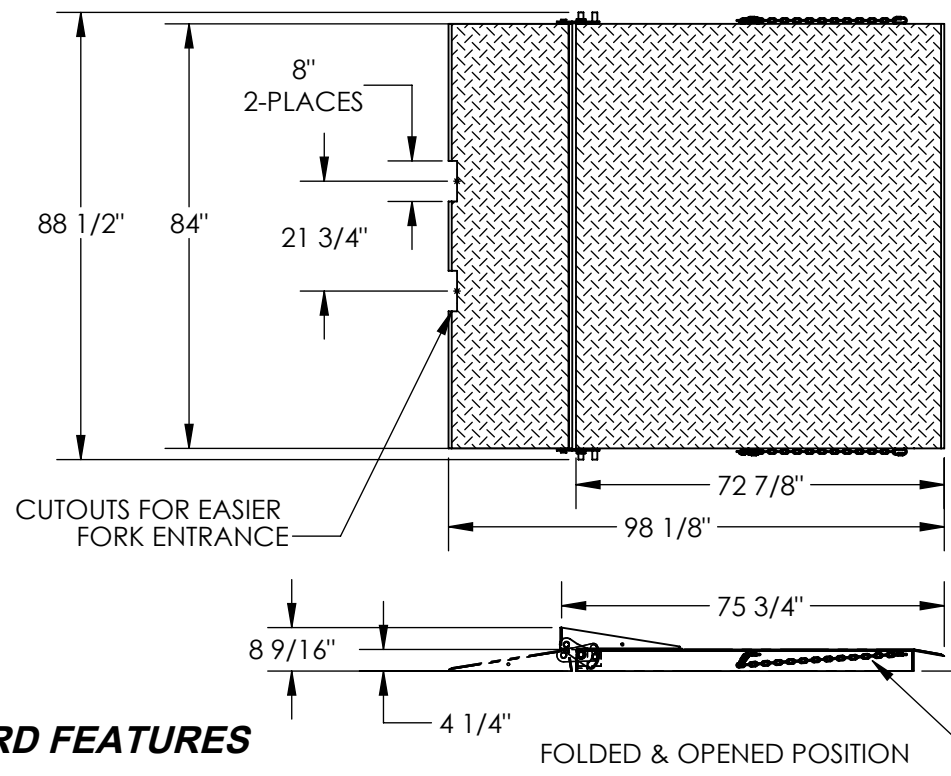


STEEL CONTAINER RAMP - SCR-84

APPROX WEIGHT: 840.19 lbs.
 DOES NOT INCLUDE WEIGHT OF POWER OR PACKAGING!!!

*** ANY ADDITIONS, DELETIONS, OR OMISSIONS MUST BE CORRECTED ON THIS DRAWING AS THIS DRAWING WILL BE CONSIDERED ALL INCLUSIVE ***

ALL GRAPHICS PROVIDED ARE FOR REFERENCE ONLY. IF CERTAIN DIMENSIONS ARE CRITICAL PLEASE VERIFY THOSE DIMENSIONS WITH YOUR SALESPERSON



STANDARD FEATURES

- MODEL NUMBER IS SCR-84
- MAX UNIFORM CAPACITY IS 15,000 LBS
- OVERALL WIDTH IS 88 1/2"
- RAMP WIDTH IS 84"
- OVERALL LENGTH IS:
 - FULLY OPEN: 98 1/8"
 - FOLDED: 75 3/4"
- OVERALL HEIGHT IS:
 - FULLY OPEN: 4 1/4"
 - FOLDED: 8 9/16"
- MAIN DECK RAMP GROUND CLEARANCE IS 2 15/16"
- PLATFORM HAS (2) Ø1/4" X 31 1/2" CHAINS
- 8"W FORK POCKETS ON 21 3/4" CENTERS
- FORK POCKET HEIGHT IS 3" ON MAIN DECK (NOT SHOWN)
- ENTRY RAMP FOLDS BACK ON TO MAIN DECK FOR EASY TRANSPORT WITHOUT HAVING TO LEAVE THE FORK TRUCK

Ø1/4" X 31 1/2" CHAINS W/ 5/16" QUICK LINK

DIMENSION TOLERANCE ± 1/4"

FOR INTERNAL USE ONLY PROJECT SIGN OFF	
SALES	
ENG.	
FAB.	
POWER	

APPROVAL	I, THE UNDERSIGNED, AGREE THAT THE PRODUCT AS REPRESENTED SATISFIES DESIGN AND DIMENSION REQUIREMENTS. I ALSO ACKNOWLEDGE MY DUTY TO CONFIRM PRODUCT AND INSTALLATION COMPLIANCE WITH ALL APPLICABLE FEDERAL, STATE AND LOCAL REGULATIONS AND STANDARDS.	
	ANY MODIFIED UNITS ARE NON-RETURNABLE	
	[] As drawn [] As marked	
	Signed: _____ Date: _____	
	Printed Name: _____	
	<i>LEAD TIME WILL START UPON RECEIPT OF SIGNED APPROVAL DRAWING</i>	

SPECIAL FEATURES

NONE

DISTRIBUTOR'S NAME:		P.O.#
HOF EQUIPMENT COMPANY		X
PH: 888-990-1150		W.O.#
		X
DRAWN BY:	DATE:	SALES:
DY	09/06/11	X
REFERENCE:	SCALE:	FILE NAME:
X	1:38	
QUOTED LEAD TIME:	QUOTE #	
X	X	23-007-379