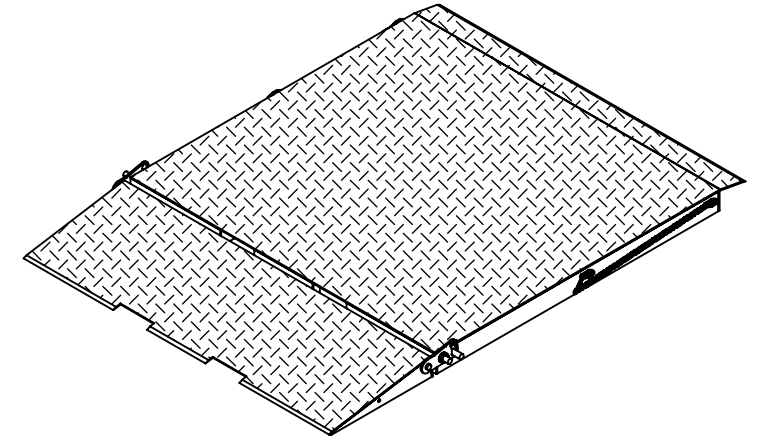
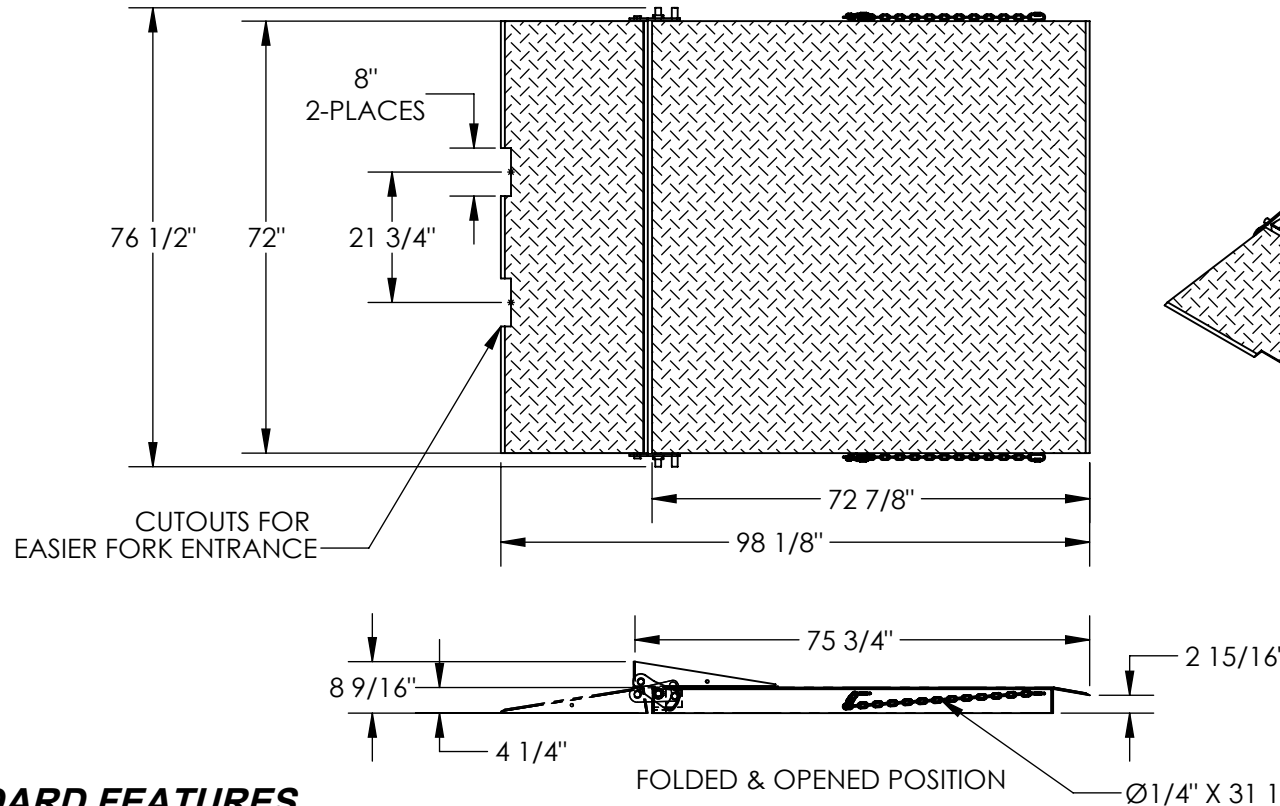


STEEL CONTAINER RAMP - SCR-72

APPROX WEIGHT: 745.16 lbs.
DOES NOT INCLUDE WEIGHT OF POWER OR PACKAGING!!!

*** ANY ADDITIONS, DELETIONS, OR OMISSIONS MUST BE CORRECTED ON THIS DRAWING AS THIS DRAWING WILL BE CONSIDERED ALL INCLUSIVE ***

ALL GRAPHICS PROVIDED ARE FOR REFERENCE ONLY. IF CERTAIN DIMENSIONS ARE CRITICAL PLEASE VERIFY THOSE DIMENSIONS WITH YOUR SALESPERSON



STANDARD FEATURES

- MODEL NUMBER IS SCR-72
- MAX UNIFORM CAPACITY IS 15,000 LBS
- OVERALL WIDTH IS 76 1/2"
- RAMP AND PLATFORM WIDTH IS 72"
- OVERALL LENGTH IS:
 - FULLY OPEN: 98 1/8"
 - FOLDED: 75 3/4"
- OVERALL HEIGHT IS:
 - FULLY OPEN: 4 1/4"
 - FOLDED: 8 9/16"

- MAIN DECK RAMP GROUND CLEARANCE IS 2 15/16"
- PLATFORM HAS (2) Ø1/4" X 31 1/2" CHAINS
- 8"W FORK POCKETS ON 21 3/4" CENTERS
- FORK POCKET HEIGHT IS 3" ON MAIN DECK (NOT SHOWN)
- ENTRY RAMP FOLDS BACK ON TO MAIN DECK FOR EASY TRANSPORT WITHOUT HAVING TO LEAVE THE FORK TRUCK

SPECIAL FEATURES

NONE

FOR INTERNAL USE ONLY PROJECT SIGN OFF	
SALES	
ENG.	
FAB.	
POWER	

APPROVAL

I, THE UNDERSIGNED, AGREE THAT THE PRODUCT AS REPRESENTED SATISFIES DESIGN AND DIMENSION REQUIREMENTS. I ALSO ACKNOWLEDGE MY DUTY TO CONFIRM PRODUCT AND INSTALLATION COMPLIANCE WITH ALL APPLICABLE FEDERAL, STATE AND LOCAL REGULATIONS AND STANDARDS.

ANY MODIFIED UNITS ARE NON-RETURNABLE

[] As drawn [] As marked

Signed: _____ Date: _____

Printed Name: _____

LEAD TIME WILL START UPON RECEIPT OF SIGNED APPROVAL DRAWING

DIMENSION TOLERANCE ± 1/4"

DISTRIBUTOR'S NAME:		P.O.#
HOF EQUIPMENT COMPANY		X
PH: 888-990-1150		W.O.#
		X
DRAWN BY:	DATE:	SALES:
DY	09/06/11	X
REFERENCE:	SCALE:	FILE NAME:
X	1:32	
QUOTED LEAD TIME:	QUOTE #	
X	X	23-007-378