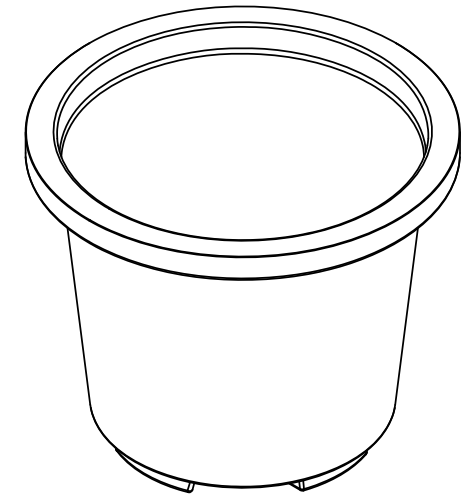
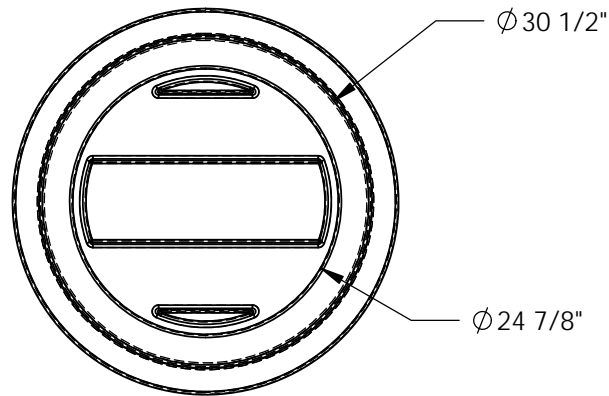
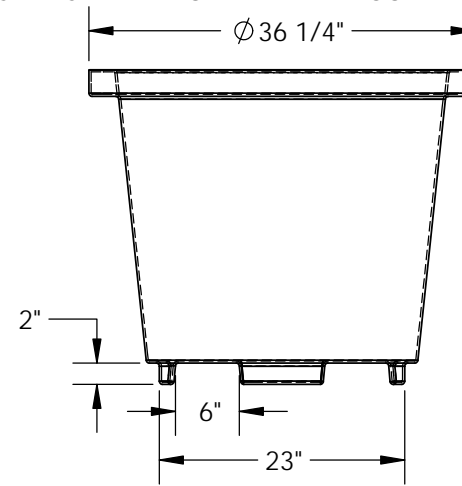
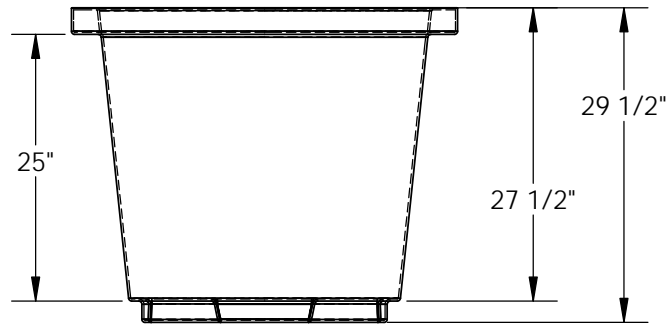


# OVERPACK CONTAINER - SCC-65-YL

APPROX WEIGHT: 25.46 lbs.  
DOES NOT INCLUDE WEIGHT OF POWER OR PACKAGING!!!

\*\*\* ANY ADDITIONS, DELETIONS, OR OMISSIONS MUST BE CORRECTED ON THIS DRAWING AS THIS DRAWING WILL BE CONSIDERED ALL INCLUSIVE \*\*\*

ALL GRAPHICS PROVIDED ARE FOR REFERENCE ONLY. IF CERTAIN DIMENSIONS ARE CRITICAL PLEASE VERIFY THOSE DIMENSIONS WITH YOUR SALESPERSON



DIMENSION TOLERANCE  $\pm 1/4$ "

## STANDARD FEATURES

- MODEL NUMBER IS SCC-65-YL
- OVERALL DIAMETER IS  $\phi 36 \frac{1}{4}$ "
- OVERALL HEIGHT IS 29 1/2"
- FORK SLOTS ARE 6" WIDE x 2" HIGH
- MADE FROM LOW-DENSITY POLYETHYLENE
- COLOR IS SAFETY YELLOW - MUNSELL, 5Y 8/12
- FOR USE WITH 55 GALLON STEEL OR PLASTIC BARRELS
- WORKS WITH DRUM-ST, DRUM-HD, AND DRUM-X-H
- MAX WEIGHT CAPACITY IS 800 LBS
- MAX VOLUME CAPACITY IS 65 GALLONS
- SNAP-ON LID (SCC-65-CVR) SOLD SEPARATELY

## SPECIAL FEATURES

NONE

<b>APPROVAL</b>	I, THE UNDERSIGNED, AGREE THAT THE PRODUCT AS REPRESENTED SATISFIES DESIGN AND DIMENSION REQUIREMENTS. I ALSO ACKNOWLEDGE MY DUTY TO CONFIRM PRODUCT AND INSTALLATION COMPLIANCE WITH ALL APPLICABLE FEDERAL, STATE AND LOCAL REGULATIONS AND STANDARDS.	
	<b>ANY MODIFIED UNITS ARE NON-RETURNABLE</b>	
	[ ] As drawn      [ ] As marked	
Signed: _____		Date: _____
Printed Name: _____		
<b>LEAD TIME WILL START UPON RECEIPT OF SIGNED APPROVAL DRAWING</b>		

FOR INTERNAL USE ONLY PROJECT SIGN OFF	
SALES	
ENG.	
FAB.	
POWER	

DISTRIBUTOR'S NAME:		P.O.#
HOF EQUIPMENT COMPANY		X
PH: 888-990-1150		W.O.#
DRAWN BY: KGH		X
DATE:	8/1/2016	SALES: X
REFERENCE: X	SCALE: 1:18	FILE NAME:
QUOTED LEAD TIME: X	QUOTE # X	31-007-236