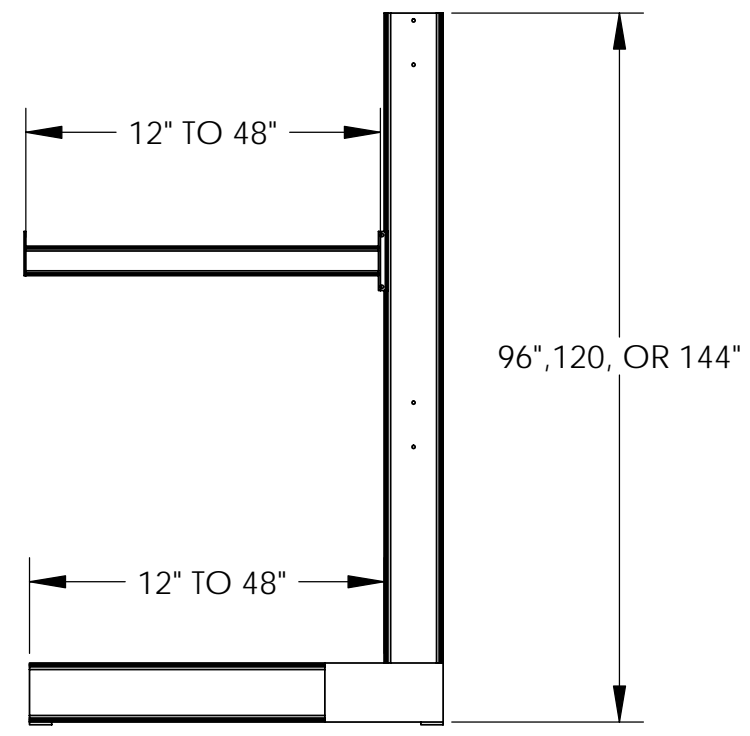
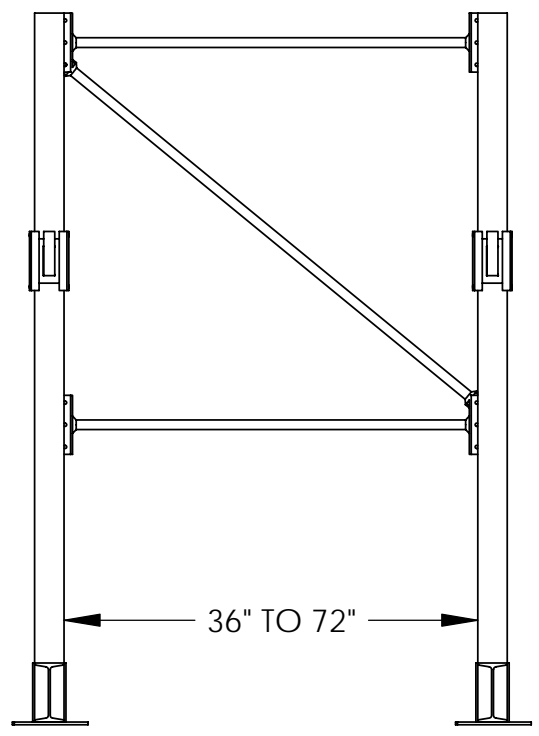


# CANTILEVER RACKING - SAC-812 THRU 1248

APPROXIMATE WEIGHT IS: 619.71 lbs.



## STANDARD FEATURES

SAC-812 THRU 1248  
 USABLE WIDTH : 36", 48", 60", 72"  
 USABLE LENGTH : 12", 24", 36", 48"  
 OVERALL HEIGHT: 96", 120", 144"

**ALL SPECIAL UNITS  
 ARE NON-RETURNABLE**

<b>A P P R O V A L</b>	I, the undersigned, hereby approve this print. This includes my approval of design & dimensions	
	<input type="checkbox"/> As drawn	<input type="checkbox"/> As marked
	Signed: _____ Date: _____	
<b>LEAD TIME WILL START UPON RECEIPT OF SIGNED APPROVAL DRAWING</b>		

DISTRIBUTOR'S NAME: <b>HOF EQUIPMENT COMPANY</b> PH: 888-990-1150		P.O.# X
DRAWN BY: N.F.	DATE: 10/04/05	W.O.# X
REFERENCE: X	QUOTE # X	SALES: X
		FILE NAME: 31-007-079
SCALE: 1:26		