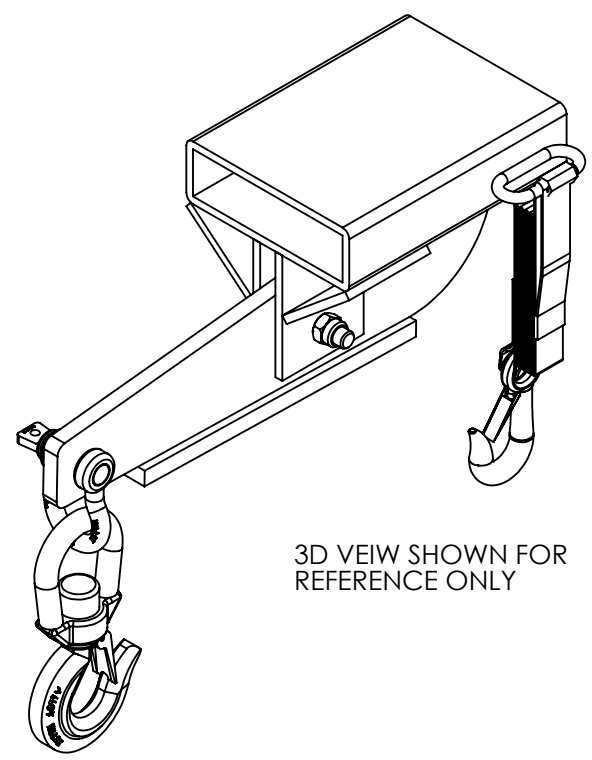
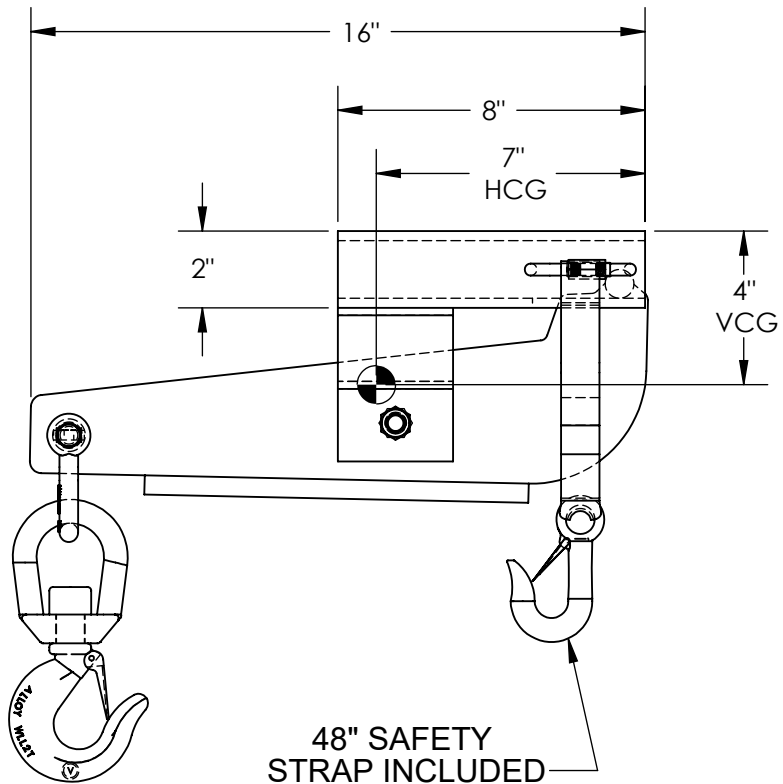
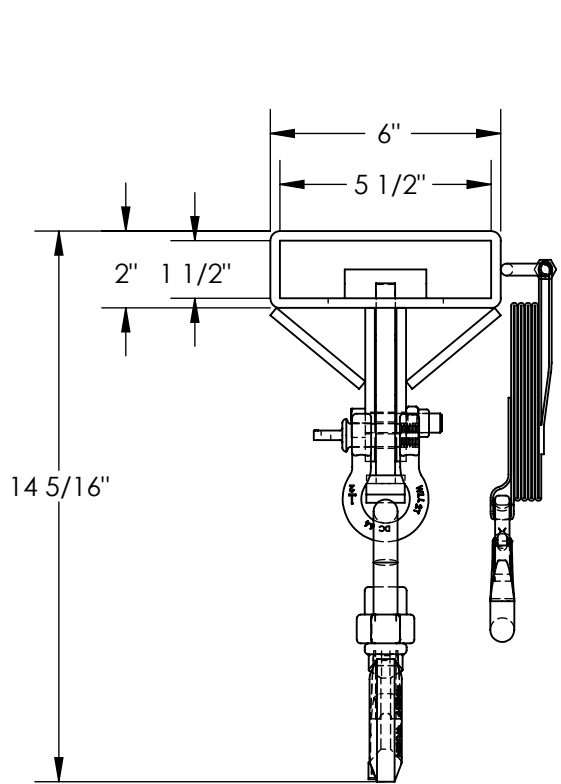


# SINGLE FORK AUTO-TENSION HOISTING HOOK - S-FORK-4-AT

APPROX WEIGHT: 23.33 lbs.  
 DOES NOT INCLUDE WEIGHT OF POWER OR PACKAGING!!!

\*\*\* ANY ADDITIONS, DELETIONS, OR OMISSIONS MUST BE CORRECTED ON THIS DRAWING AS THIS DRAWING WILL BE CONSIDERED ALL INCLUSIVE \*\*\*  
 ALL GRAPHICS PROVIDED ARE FOR REFERENCE ONLY. IF CERTAIN DIMENSIONS ARE CRITICAL PLEASE VERIFY THOSE DIMENSIONS WITH YOUR SALESPERSON



## STANDARD FEATURES

- MODEL NUMBER IS S-FORK-4-AT
- OVERALL WIDTH IS 6"
- OVERALL LENGTH IS 16"
- FORK POCKET USABLE WIDTH IS 5 1/2"
- FORK POCKET USABLE HEIGHT IS 1 1/2"
- FORK POCKET USABLE LENGTH IS 8"
- MAX CAPACITY IS 4,000 LBS
- LOST LOAD IS 23 LBS
- MINIMUM EFFECTIVE THICKNESS = ADJUSTABLE
- TOUGH BAKED IN POWDER COATED YELLOW FINISH
- 48" LG SAFETY STRAP INCLUDED
- NEVER EXCEED LOAD CENTER RATING PER FORK TRUCK MANUFACTURER'S GUIDELINES.
- DO NOT USE THIS FORK TRUCK ATTACHMENT IF LOAD WILL EXCEED FORK TRUCK MANUFACTURER'S LOAD CENTER RATING.

## SPECIAL FEATURES

NONE

DIMENSION TOLERANCE ± 1/4"

**A P P R O V A L**

I, THE UNDERSIGNED, AGREE THAT THE PRODUCT AS REPRESENTED SATISFIES DESIGN AND DIMENSION REQUIREMENTS. I ALSO ACKNOWLEDGE MY DUTY TO CONFIRM PRODUCT AND INSTALLATION COMPLIANCE WITH ALL APPLICABLE FEDERAL, STATE AND LOCAL REGULATIONS AND STANDARDS.

**UNITS REQUIRING APPROVAL DRAWINGS OR MODIFIED ARE NON-RETURNABLE**

[ ] As drawn [ ] As marked

Signed: \_\_\_\_\_ Date: \_\_\_\_\_

Printed Name: \_\_\_\_\_

*LEAD TIME WILL START UPON RECEIPT OF SIGNED APPROVAL DRAWING*

|                     |    |                       |           |            |            |
|---------------------|----|-----------------------|-----------|------------|------------|
| DISTRIBUTOR'S NAME: |    | HOF EQUIPMENT COMPANY |           | P.O.#      | X          |
|                     |    | PH: 888-990-1150      |           | W.O.#      | X          |
| DRAWN BY:           | MS | DATE:                 | 8/24/2010 | SALES:     | X          |
| REFERENCE:          | X  | SCALE:                | 1:5       | FILE NAME: |            |
| QUOTED LEAD TIME:   | X  | QUOTE #               | X         |            | 08-007-242 |