

DOCKLEVELER SURVEY SHEET

Inquiry Date: _____ Due Date: _____
 Contact: _____
 Company: _____
 Phone: _____
 Fax: _____
 E-mail: _____

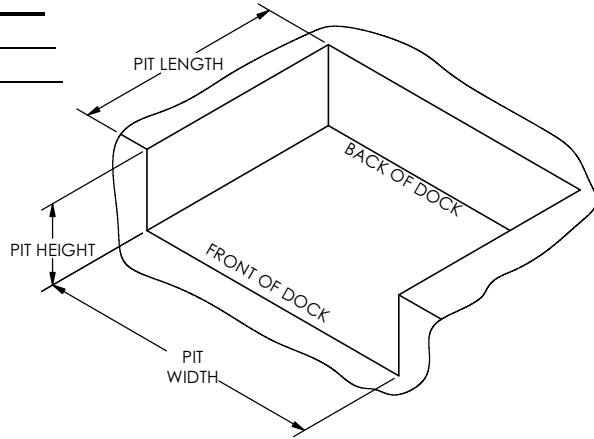
RETURN SURVEY TO:
 Orders@hofequipment.com or fax to
 773-530-1872 (no cover sheet needed)

PLEASE CHOOSE THE DESIRED DOCKLEVELER TYPE:

MECHANICAL (RR) _____
 OR
ELECTRIC HYDRAULIC (EH) _____

PIT SIZE

Width: _____
 Length: _____
 Height (@ front): _____
 Height (@ rear): _____



CAPACITY: _____

PREVIOUS QUOTE OR ORDER #: _____

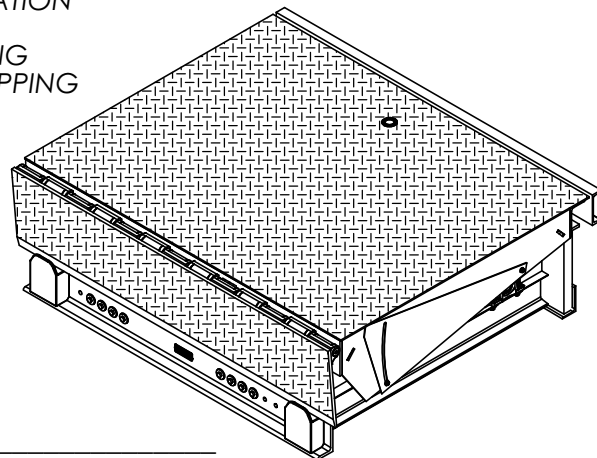
OPTIONS:

- _____ **SPO** (SHALLOW PIT OPTION): ANY PIT SHALLOWER THAN 24"; 17 1/2" MIN. DEPTH
- _____ **18"LIP/6**: 18"L LIP FOR 6' WIDE DOCKLEVELER
- _____ **18"LIP/7**: 18"L LIP FOR 7' WIDE DOCKLEVELER
- _____ **ES**: EMERGENCY STOPS (RR UNITS ONLY)
- _____ **CWO**: COLD WEATHER OIL (EH UNITS ONLY)
- _____ **FI**: UNDER-DECK FOAM INSULATION
- _____ **CAS**: CURB ANGLE SET
- _____ **VCC-115-1**: VOLTAGE CHANGE OPTION TO 115V SINGLE PHASE AC POWER
- _____ **VCC-208/230-1**: VOLTAGE CHANGE OPTION TO 208/230V SINGLE PHASE AC POWER
- _____ **VCC-208/230-3**: VOLTAGE CHANGE OTPION TO 208/230V THREE PHASE AC POWER
- _____ STEEL SHELL FOR POUR IN PLACE INSTALLATION
- _____ DUAL VINYL WEATHERSTRIPPING
- _____ 1" REPLACEABLE BRUSH WEATHERSTRIPPING
- _____ 1 1/2" REPLACEABLE BRUSH WEATHERSTRIPPING

PLEASE CIRCLE SPECIFICATIONS (EH DOCKLEVELERS ONLY):

POWER	AC	DC	AIR/OIL
MOTOR VOLTAGE	115	208	230 460
DEDICATED CIRCUIT REQUIRED			
MOTOR PHASE	SINGLE	THREE	
CONTROL	HAND	FOOT	
NOTE: 460V 3 PHASE IS STANDARD			

SPECIAL REQUESTS:



Additional Notes:

Quote options:

_____ Exactly as specified _____ Cheapest / Closest to Vestil standard
 _____ Quickest to ship
 Requested Delivery Date: _____

*All options may not be available on all models