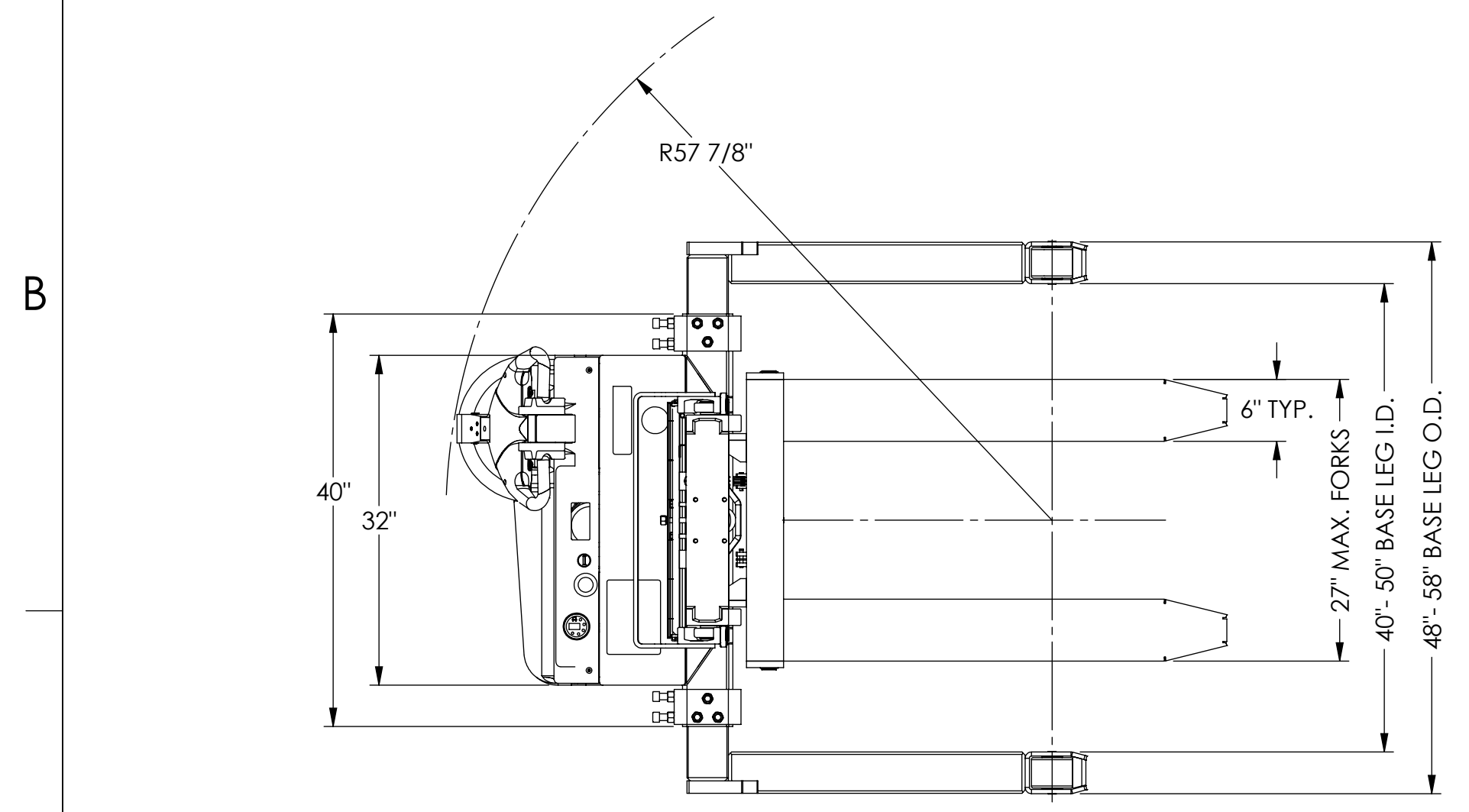
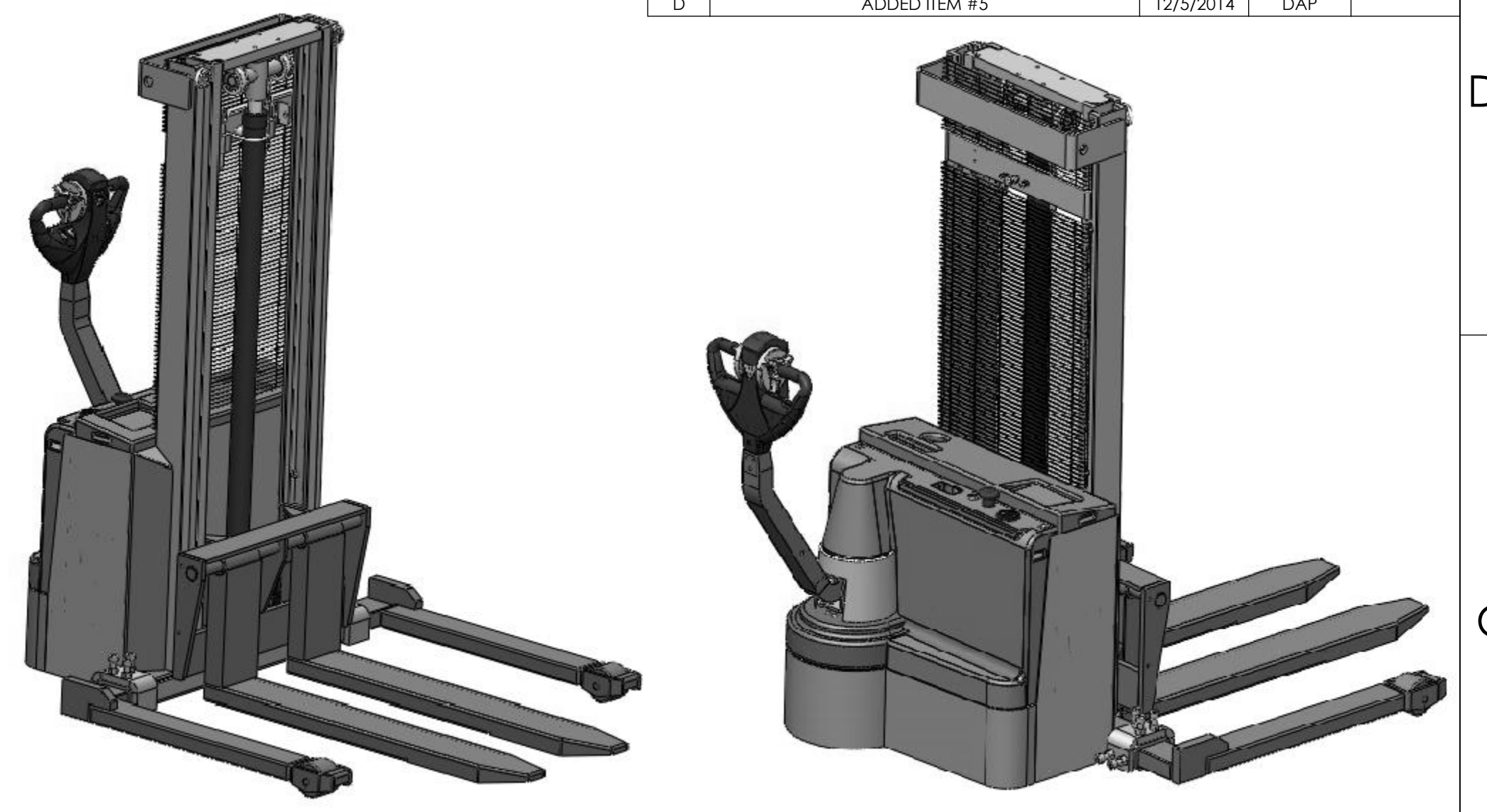
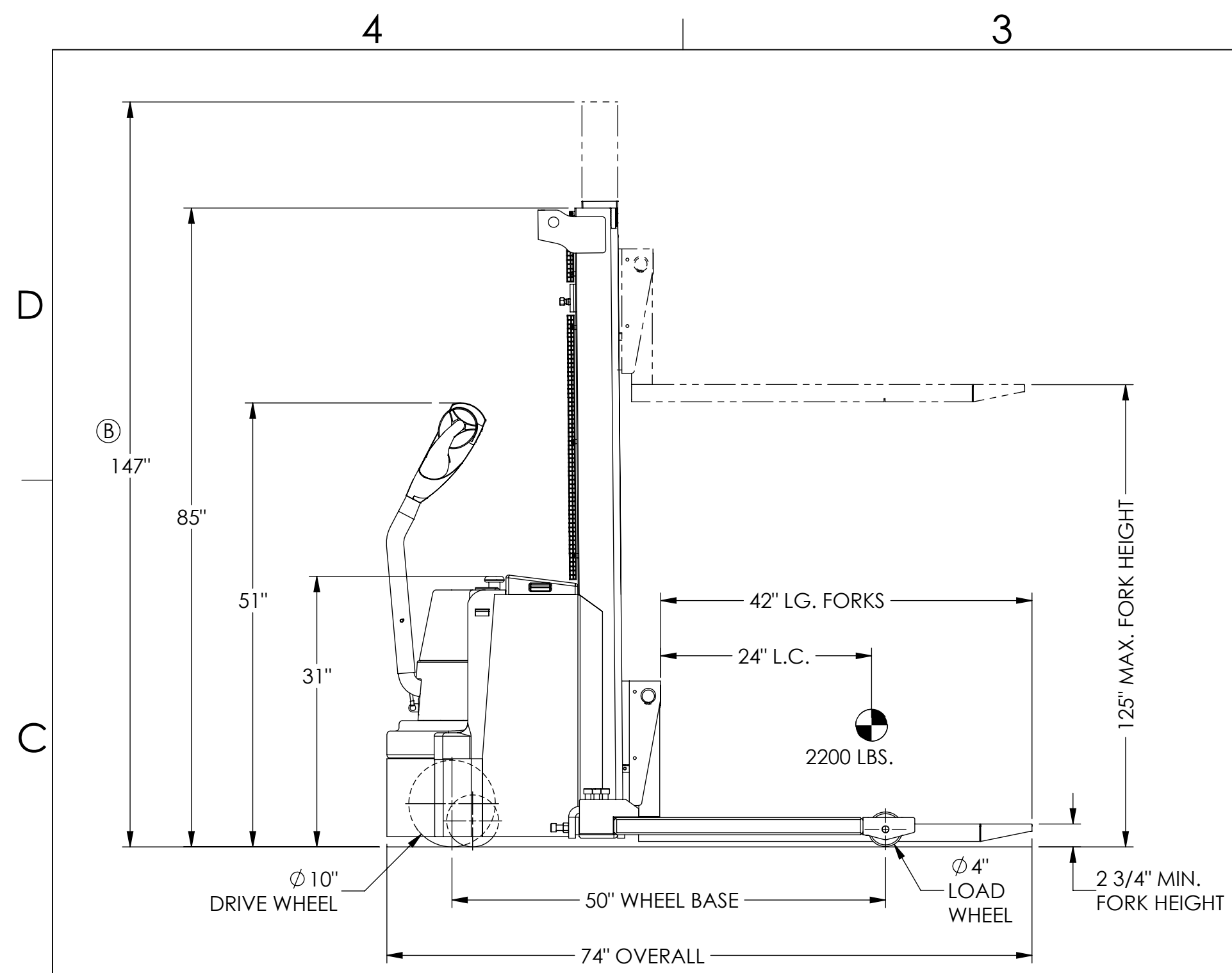


REVISIONS				
REV.	DESCRIPTION	DATE	REVISED BY	ECO #
A	UPDATED TITLE & ITEM #3 DESCRIPTIONS	2/7/2014	DAP	
B	ADDED DIM.	12/3/2014	DAP	
C	ADDED ITEM #4	12/3/2014	DAP	
D	ADDED ITEM #5	12/5/2014	DAP	



**GENERAL DESCRIPTION**

**POWERSTAK MODEL:** PPS2200-125AS  
**CAPACITY:** 2200 LBS. @ 24" LOAD CENTER  
**RAISED HEIGHT:** 125" MAX. FORK HEIGHT  
**LOWERED HEIGHT:** 2 3/4" MIN. FORK HEIGHT  
**POWER:** 24V DC (2x 12V AGM SEALED BATTERIES)  
**CONTROLS:** HAND OPERATED BUTTERFLY SWITCH(HANDLE MOUNTED)  
**FINISH:** PRESTO ORANGE & BLACK

**SPECIFICATIONS**

**LOAD CAPACITY:** 2200 LB.  
**DRIVE MOTOR:** DC 24V/0.75KW  
**LIFT MOTOR:** DC 24V/2.2KW  
**BATTERY:** 2x 12V/75Ah  
**CHARGER:** 24V/12A

**TRAVEL SPEED W/O LOAD:** 3.6 MPH (APPROX.)  
**TRAVEL SPEED W/ LOAD:** 3.4 MPH (APPROX.)  
**TURTLE SPEED:** 50% OF NORMAL TRAVEL SPEED  
**GRADEABILITY W/O LOAD:** 10%  
**GRADEABILITY W/ LOAD:** 6%

ITEM NO.	QTY.	U/M	DESCRIPTION	PART NO.
5		REF	EL POWER STAK ELEC DIAG 24VDC SYSTEM	80006862
4		REF	TI INSTR PWR'D STACKER TILLER SWITCH RAN	60042514
3	1	EA	LD LABEL DIAGRAM PPS2200-125AS	80006773
2	2	EA	EL EL BTRY AGM/SLA UNIBAT UB12750B2	10069795
1	1	EA	TL PWR STACK 2200LB 125HT ADJ STRD	GC-PPS2200-125AS

Released  
 STATUS: PROJECT: -  
 USE OF PROPRIETARY INFORMATION LIMITED TO WRITTEN AGREEMENT

3RD ANGLE PROJECTION  
 UNLESS OTHERWISE SPECIFIED, DIMENSIONS ARE IN INCHES

FRACTIONS: ± 1/8, .XXX ± .005, .XX ± .01, ANGLES: ± .5°

HOF Equipment Company - PH. 888-990-1150		DR	DAP	DATE	02/05/14
REFERENCE	CAGE CODE 06328	WT	0 LB	SCALE	1:14
TITLE: TL POWER STAK WIDE MAST STRADDLE 125LIFT			MODEL	PPS2200-125AS	D
SIZE	C	DWG. NO.	SHEET 1 OF 1	REV	

**THIS DRAWING MUST BE AT REVISION: 'D'**