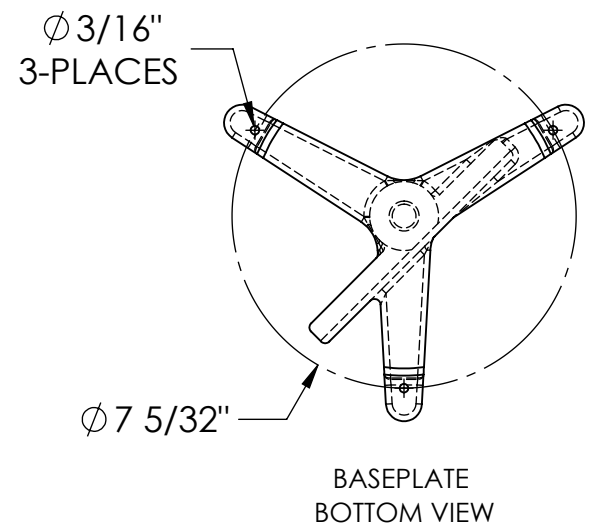
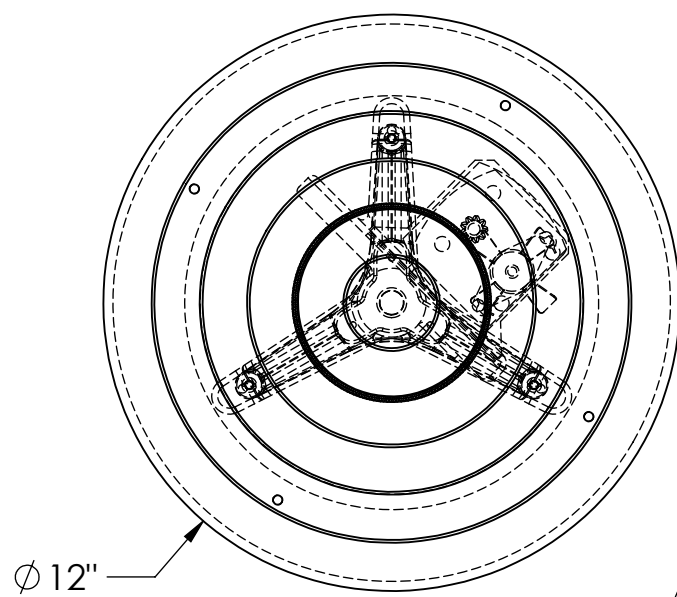


POWERED TURNTABLE - PT-100

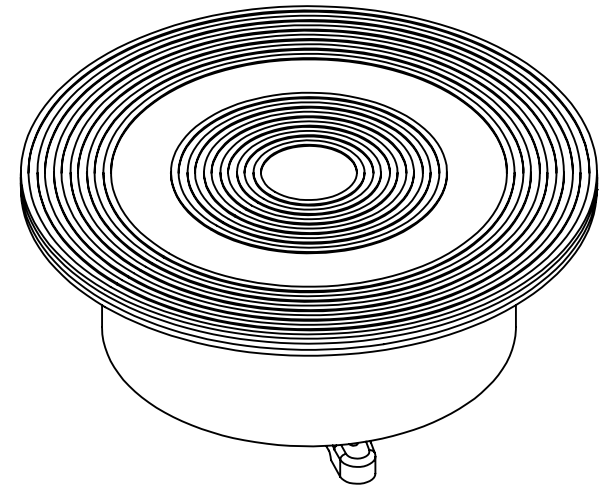
APPROX WEIGHT: 32.00 lbs.
 DOES NOT INCLUDE WEIGHT OF POWER OR PACKAGING!!!

*** ANY ADDITIONS, DELETIONS, OR OMISSIONS MUST BE CORRECTED ON THIS DRAWING AS THIS DRAWING WILL BE CONSIDERED ALL INCLUSIVE ***

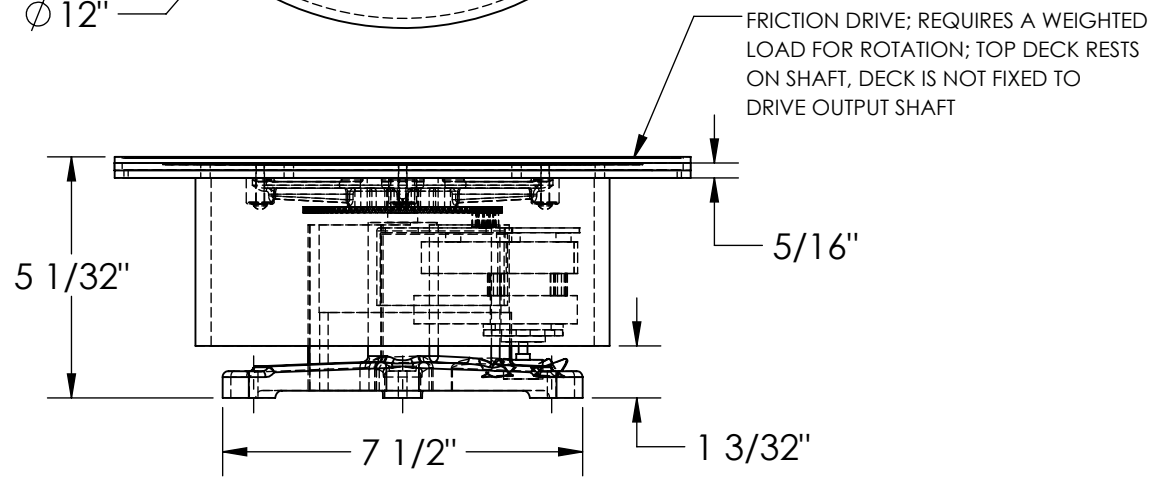
ALL GRAPHICS PROVIDED ARE FOR REFERENCE ONLY. IF CERTAIN DIMENSIONS ARE CRITICAL PLEASE VERIFY THOSE DIMENSIONS WITH YOUR SALESPERSON



NOTE:
 -DO NOT STAND OR SIT ON UNIT
 -MAXIMUM CAPACITY IS 100 LBS.
 EVENLY DISTRIBUTED AND BALANCED;
 NO OFFSET OR CANTILEVER LOADING.
 -VARIABLE SPEED ROTATION NOT AVAILABLE
 -UNIT TO BE FASTENED TO A FLAT, LEVEL SURFACE



DIMENSION TOLERANCE ± 1/4"



STANDARD FEATURES

MODEL NUMBER IS PT-100
 UNIFORM CAPACITY IS 100 LBS.
 DIAMETER IS Ø12"
 OVERALL HEIGHT IS 5 1/32"
 3.5 RPM, CLOCKWISE ROTATION
 115V SINGLE PHASE POWER SUPPLY

SPECIAL FEATURES

NONE

OPTIONAL FEATURE:
 (AVAILABLE AT AN ADDITIONAL COST)

*PT-CCW: COUNTER CLOCKWISE ROTATION OPTION

APPROVAL

I, THE UNDERSIGNED, AGREE THAT THE PRODUCT AS REPRESENTED SATISFIES DESIGN AND DIMENSION REQUIREMENTS. I ALSO ACKNOWLEDGE MY DUTY TO CONFIRM PRODUCT AND INSTALLATION COMPLIANCE WITH ALL APPLICABLE FEDERAL, STATE AND LOCAL REGULATIONS AND STANDARDS.

ANY MODIFIED UNITS ARE NON-RETURNABLE

[] As drawn [] As marked

Signed: _____ Date: _____

Printed Name: _____

LEAD TIME WILL START UPON RECEIPT OF SIGNED APPROVAL DRAWING

FOR INTERNAL USE ONLY PROJECT SIGN OFF	
SALES	
ENG.	
FAB.	
POWER	

DISTRIBUTOR'S NAME:		P.O.#
HOF EQUIPMENT COMPANY		X
PH: 888-990-1150		W.O.#
DRAWN BY: R. THORNSEN		X
DATE: 4/26/18	SALES: X	
REFERENCE: X	SCALE: 1:4	FILE NAME:
QUOTED LEAD TIME: X	QUOTE #	20-007-193
	X	