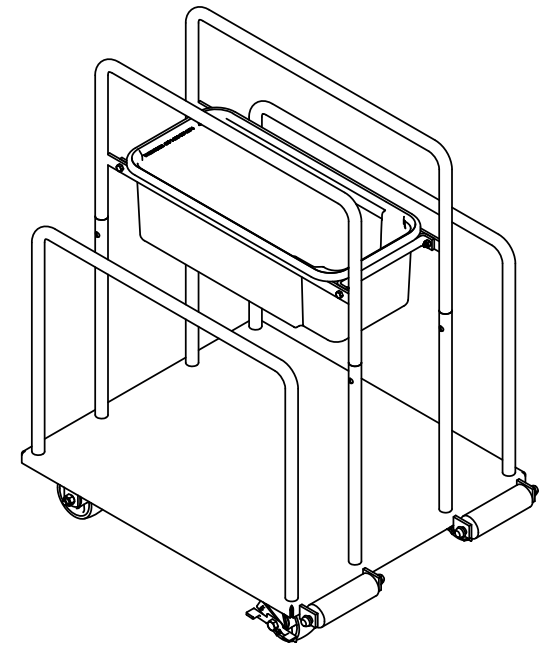
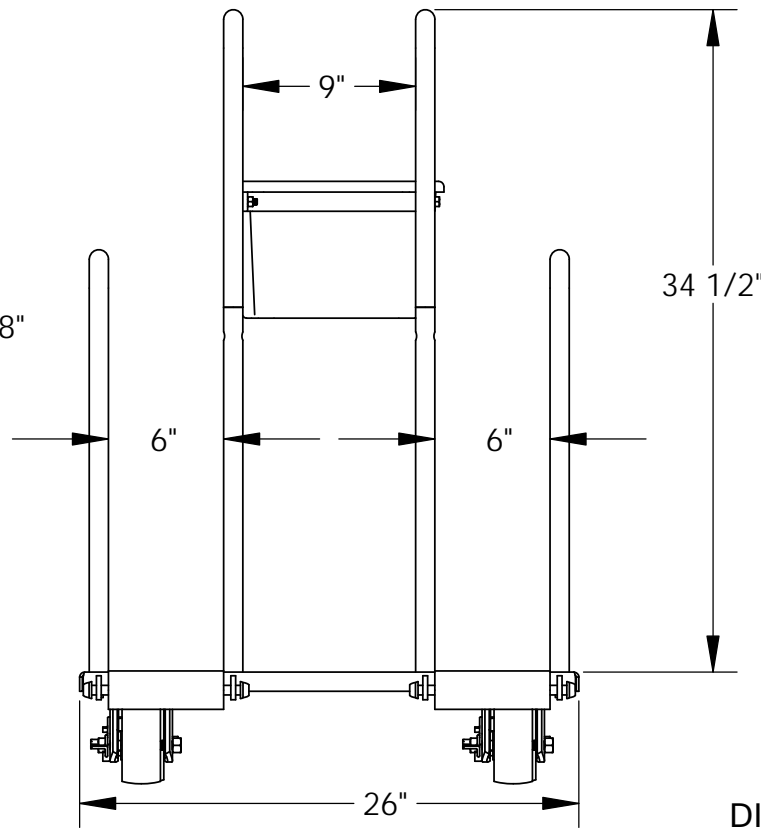
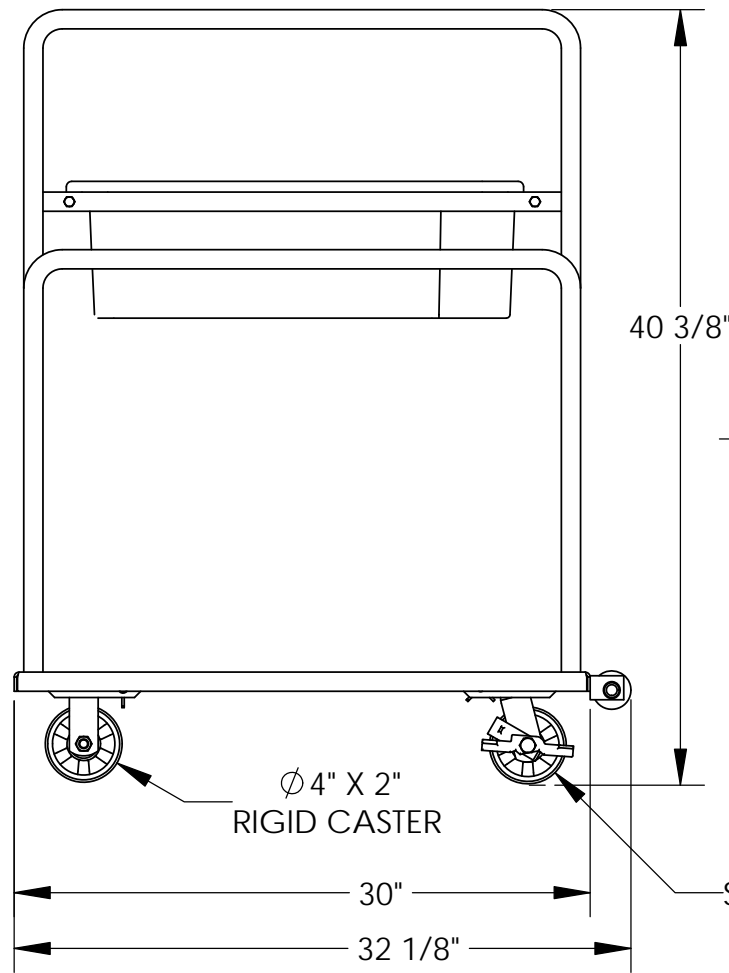


PANEL CART - PRCT

APPROX WEIGHT: 86.32 lbs.
 DOES NOT INCLUDE WEIGHT OF POWER OR PACKAGING!!!

*** ANY ADDITIONS, DELETIONS, OR OMISSIONS MUST BE CORRECTED ON THIS DRAWING AS THIS DRAWING WILL BE CONSIDERED ALL INCLUSIVE ***

ALL GRAPHICS PROVIDED ARE FOR REFERENCE ONLY. IF CERTAIN DIMENSIONS ARE CRITICAL PLEASE VERIFY THOSE DIMENSIONS WITH YOUR SALESPERSON



3D VIEW SHOWN FOR REFERENCE ONLY

DIMENSION TOLERANCE ± 1/4"

STANDARD FEATURES

- MODEL NUMBER IS PRCT
- UNIFORM STATIC CAPACITY IS 2,000 LBS.
- OVERALL WIDTH IS 26"
- USABLE WIDTH IS 6" - 9"
- OVERALL LENGTH IS 32 1/8"
- USABLE LENGTH IS 32 1/8"
- OVERALL HEIGHT IS 40 3/8"
- USABLE HEIGHT IS 34 1/2"
- CASTERS: (2) Ø4 X 2 RIGID GLASS-FILLED-NYLON
- (2) Ø4 X 2 SWIVEL W/BRAKE GLASS-FILLED-NYLON

SPECIAL FEATURES

NONE

APPROVAL

I, THE UNDERSIGNED, AGREE THAT THE PRODUCT AS REPRESENTED SATISFIES DESIGN AND DIMENSION REQUIREMENTS. I ALSO ACKNOWLEDGE MY DUTY TO CONFIRM PRODUCT AND INSTALLATION COMPLIANCE WITH ALL APPLICABLE FEDERAL, STATE AND LOCAL REGULATIONS AND STANDARDS.

ANY MODIFIED UNITS ARE NON-RETURNABLE

As drawn As marked

Signed: _____ Date: _____

Printed Name: _____

LEAD TIME WILL START UPON RECEIPT OF SIGNED APPROVAL DRAWING

FOR INTERNAL USE ONLY PROJECT SIGN OFF	
SALES	
ENG.	
FAB.	
POWER	

DISTRIBUTOR'S NAME: HOF EQUIPMENT COMPANY		P.O.# X
PH: 888-990-1150		W.O.# X
DRAWN BY: ND	DATE: 3/4/09	SALES:
REFERENCE: X	SCALE: 1:10	FILE NAME: 16-007-015
QUOTED LEAD TIME: X	QUOTE # X	