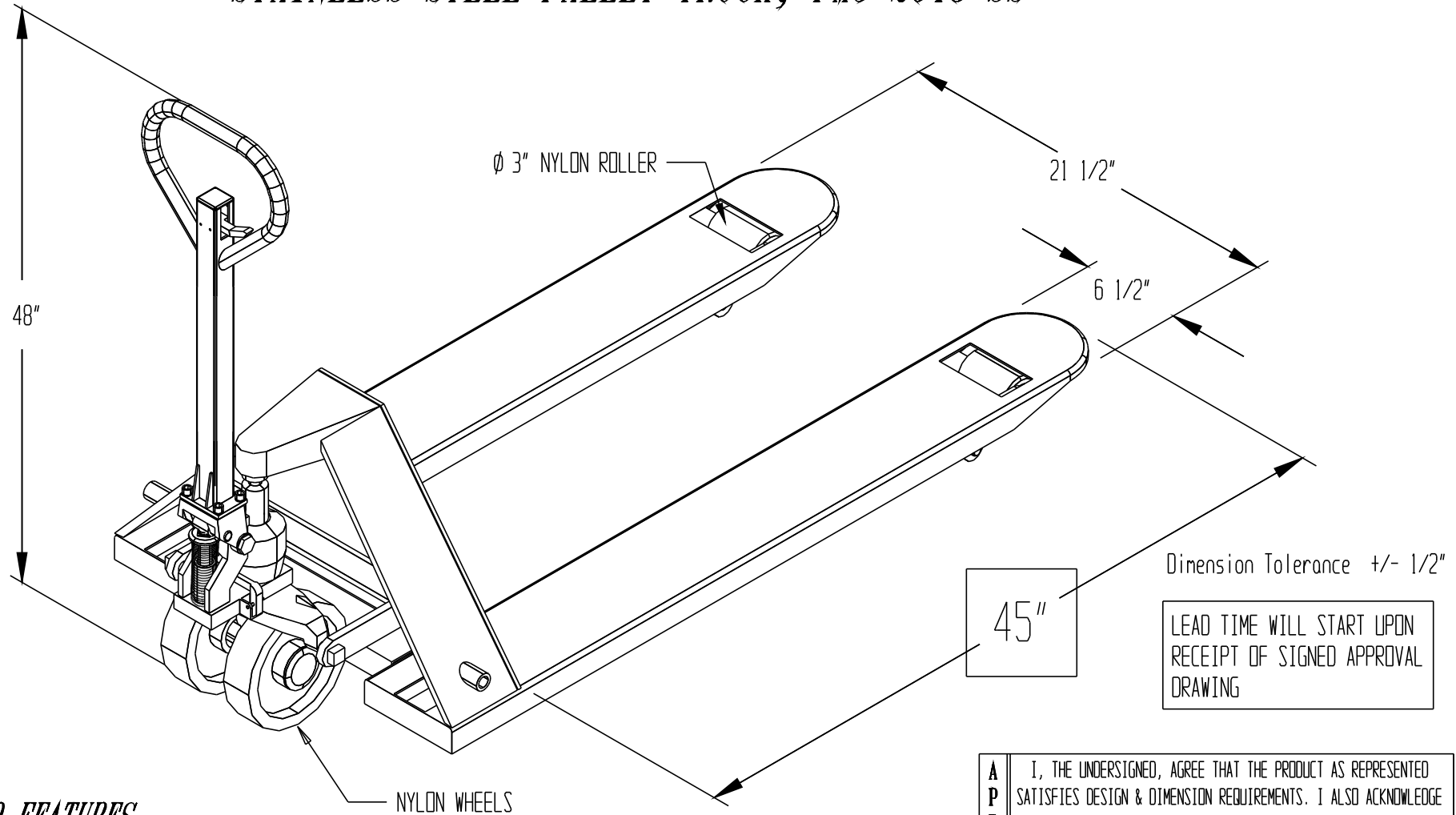


STAINLESS STEEL PALLET TRUCK, PM5-2048-SS



LEAD TIME WILL START UPON RECEIPT OF SIGNED APPROVAL DRAWING

STANDARD FEATURES

MODEL NUMBER: PM5-2048-SS
 OVERALL FORK WIDTH IS 21 1/2"
 OVERALL FORK LENGTH IS 45"
 CAPACITY IS 5,500 LBS
 LOWERED HEIGHT IS 2 7/8"
 RAISED HEIGHT IS 7 3/4"
 UNIT IS STAINLESS STEEL
 NYLON WHEELS & ROLLERS

SPECIAL FEATURES

NONE

**SPECIAL UNITS ARE NON-RETURNABLE
 *AVAILABLE AT ADDITIONAL COSTS

**A
P
P
R
O
V
A
L** I, THE UNDERSIGNED, AGREE THAT THE PRODUCT AS REPRESENTED SATISFIES DESIGN & DIMENSION REQUIREMENTS. I ALSO ACKNOWLEDGE MY DUTY TO CONFIRM PRODUCT & INSTALLATION COMPLIANCE WITH ALL APPLICABLE FEDERAL, STATE AND LOCAL REGULATIONS & STANDARDS.
ALL SPECIAL UNITS ARE NON-RETURNABLE
 As drawn As marked
 Signed: _____ Date: _____
 LEAD TIME WILL START UPON RECEIPT OF SIGNED APPROVAL DRAWING

FOR INTERNAL USE ONLY PROJECT SIGN OFF	
SALES	
ENG	
FAB.	
POWER	

DISTRIBUTOR'S NAME: HOF EQUIPMENT COMPANY PH: 888-990-1150		P.O.#: -
DRAWN BY: _____ DATE: -		W.O.#: -
REFERENCE: -	SCALE: -	SALES: -
QUOTED LEADTIME: -	QUOTE #: -	DRWG./FILE NAME: PM5-2048-SS