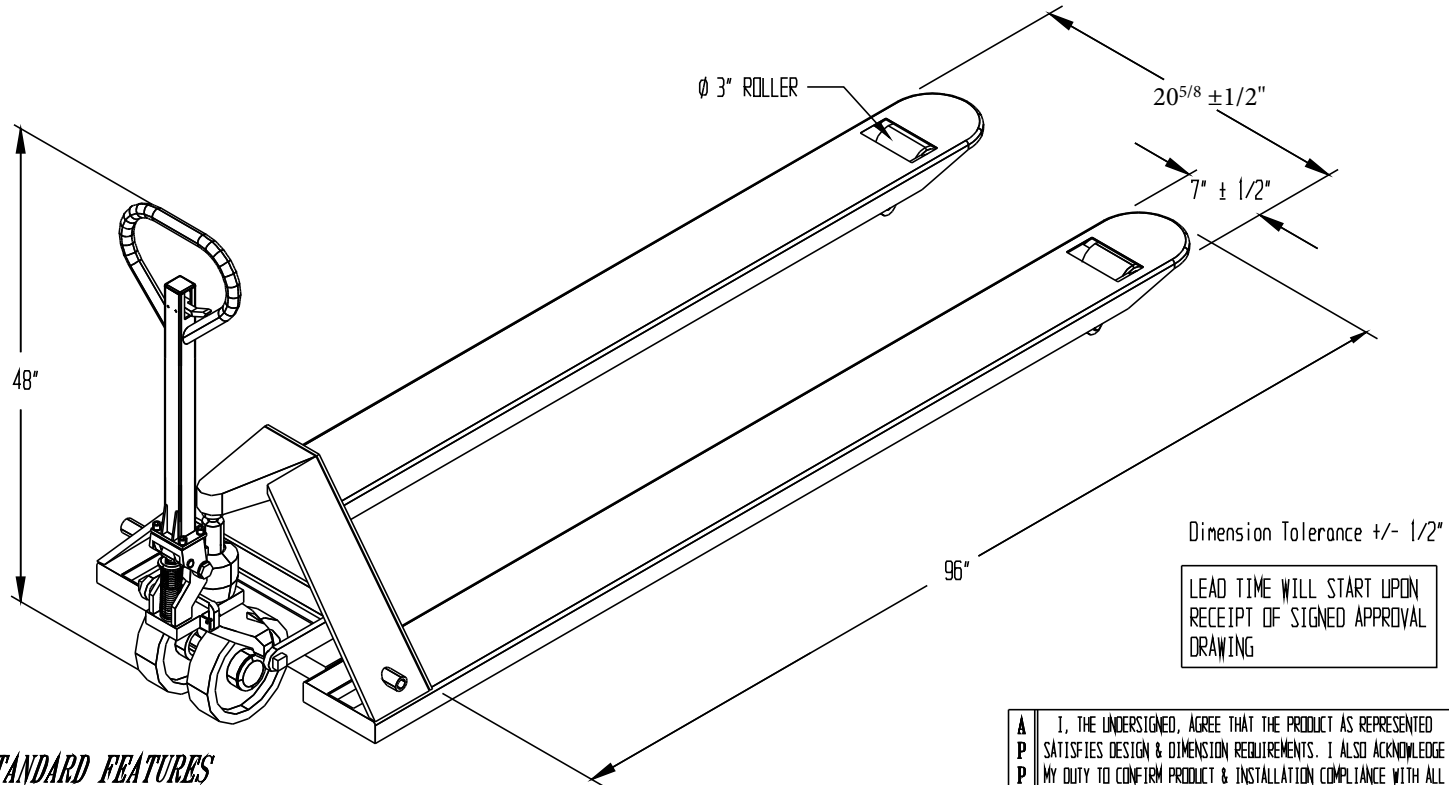


## FULL FEATURED PALLET TRUCK, PM4-2096



LEAD TIME WILL START UPON RECEIPT OF SIGNED APPROVAL DRAWING

### STANDARD FEATURES

MODEL NUMBER: PM4-2096  
 OVERALL FORK WIDTH IS 20 INCHES  
 OVERALL FORK LENGTH IS 96 INCHES  
 CAPACITY IS 4,000 LBS  
 LOWERED HEIGHT IS 2 7/8 INCHES  
 RAISED HEIGHT IS 7 3/4 INCHES

\*\*SPECIAL UNITS ARE NON-RETURNABLE  
 \*AVAILABLE AT ADDITIONAL COSTS

### SPECIAL FEATURES

NONE

**A** I, THE UNDERSIGNED, AGREE THAT THE PRODUCT AS REPRESENTED  
**P** SATISFIES DESIGN & DIMENSION REQUIREMENTS. I ALSO ACKNOWLEDGE  
**P** MY DUTY TO CONFIRM PRODUCT & INSTALLATION COMPLIANCE WITH ALL  
**R** APPLICABLE FEDERAL, STATE AND LOCAL REGULATIONS & STANDARDS.  
**O** **ALL SPECIAL UNITS ARE NON-RETURNABLE**  
**V** [ ] As drawn [ ] As marked  
**A** Signed: \_\_\_\_\_ Date: \_\_\_\_\_  
**L** LEAD TIME WILL START UPON RECEIPT OF SIGNED APPROVAL DRAWING

FOR INTERNAL USE ONLY PROJECT SIGN OFF	DISTRIBUTOR'S NAME: <b>HOF EQUIPMENT COMPANY</b> PH: 888 990 1150		P.O.#: -
SALES	DRAWN BY:	DATE: -	W.O.#: -
ENG	REFERENCE: -	SCALE: -	SALES: -
FAB.	QUOTED LEADTIME: -	QUOTE #: -	DRWG./FILE NAME: <b>PM4-2096</b>
POWER			