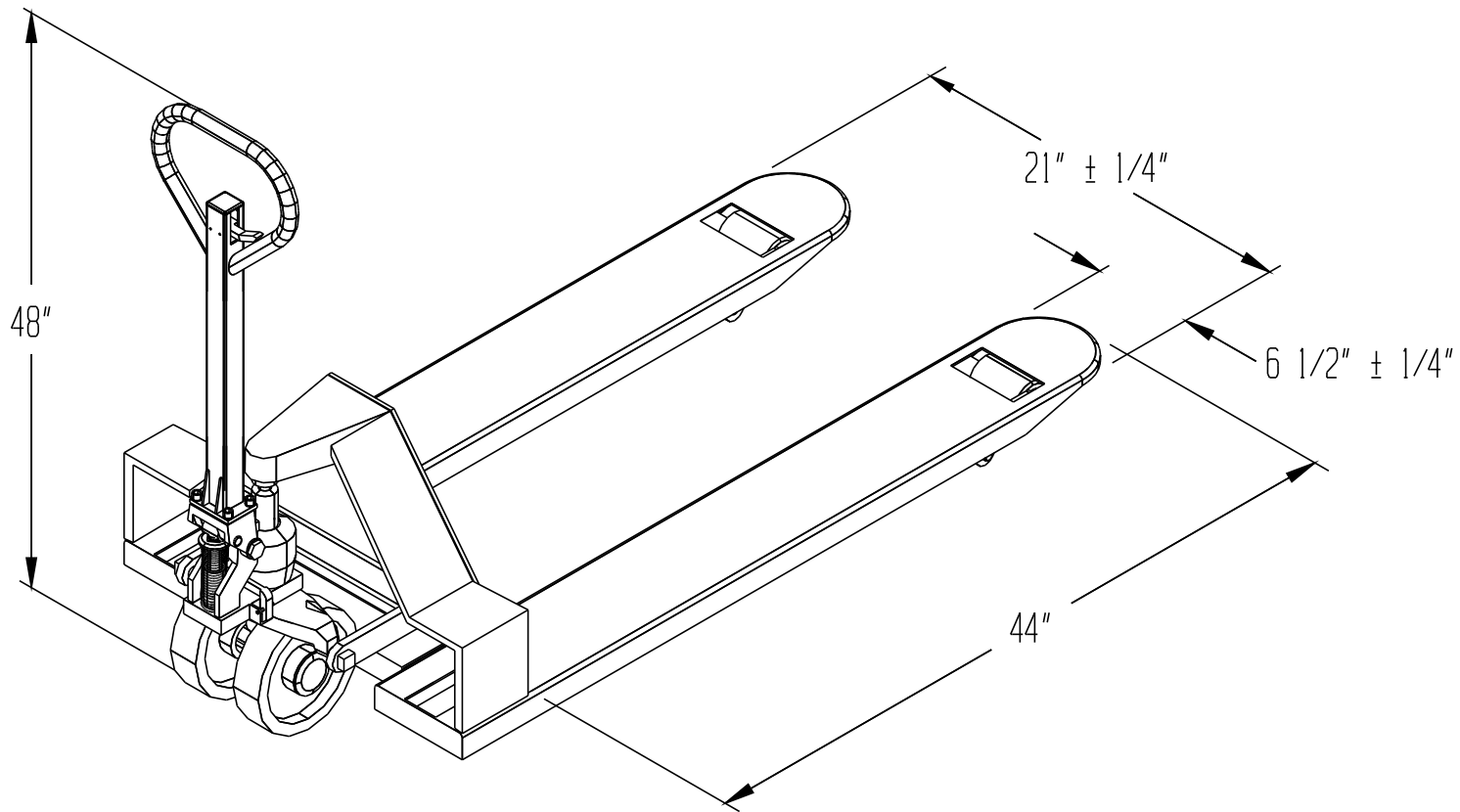


SUPER LOW PROFILE PALLET TRUCK, PM2-2044-SLP



FOR INTERNAL USE ONLY	
PROJECT SIGN OFF	
SALES	
ENG	
FAB.	
POWER	

STANDARD FEATURES

MODEL NUMBER: PM2-2044-SLP
 OVERALL FORK WIDTH IS 21 ± 1/4 INCHES
 OVERALL FORK LENGTH IS 44 INCHES
 CAPACITY IS 2,200 LBS
 LOWERED HEIGHT IS 1 1/2 INCHES
 RAISED HEIGHT IS 3 3/8 INCHES

SPECIAL FEATURES

NONE

A P P R O V A L	I, THE UNDERSIGNED, AGREE THAT THE PRODUCT AS REPRESENTED SATISFIES DESIGN & DIMENSION REQUIREMENTS. I ALSO ACKNOWLEDGE MY DUTY TO CONFIRM PRODUCT & INSTALLATION COMPLIANCE WITH ALL APPLICABLE FEDERAL, STATE AND LOCAL REGULATIONS & STANDARDS.	
	ANY MODIFIED UNITS ARE NON-RETURNABLE	
	[] As drawn [] As marked	
	Signed: _____	Date: _____
Printed Name: _____		
LEAD TIME WILL START UPON RECEIPT OF SIGNED APPROVAL DRAWING		

**SPECIAL UNITS ARE NON-RETURNABLE
 *AVAILABLE AT ADDITIONAL COSTS

DISTRIBUTOR'S NAME:		P.O.#: _
HOF EQUIPMENT COMPANY		W.O.#: _
PH: 888-990-1150		SALES: _
DRAWN BY: _____	DATE: 6/22/05	DRWG./FILE NAME:
REFERENCE: _	SCALE: _	PM2-2044-SLP
QUOTED LEADTIME: _	QUOTE #: _	