

MOBILE PALLET TRUCK W/SCALE, PM-2748-SCL-LP

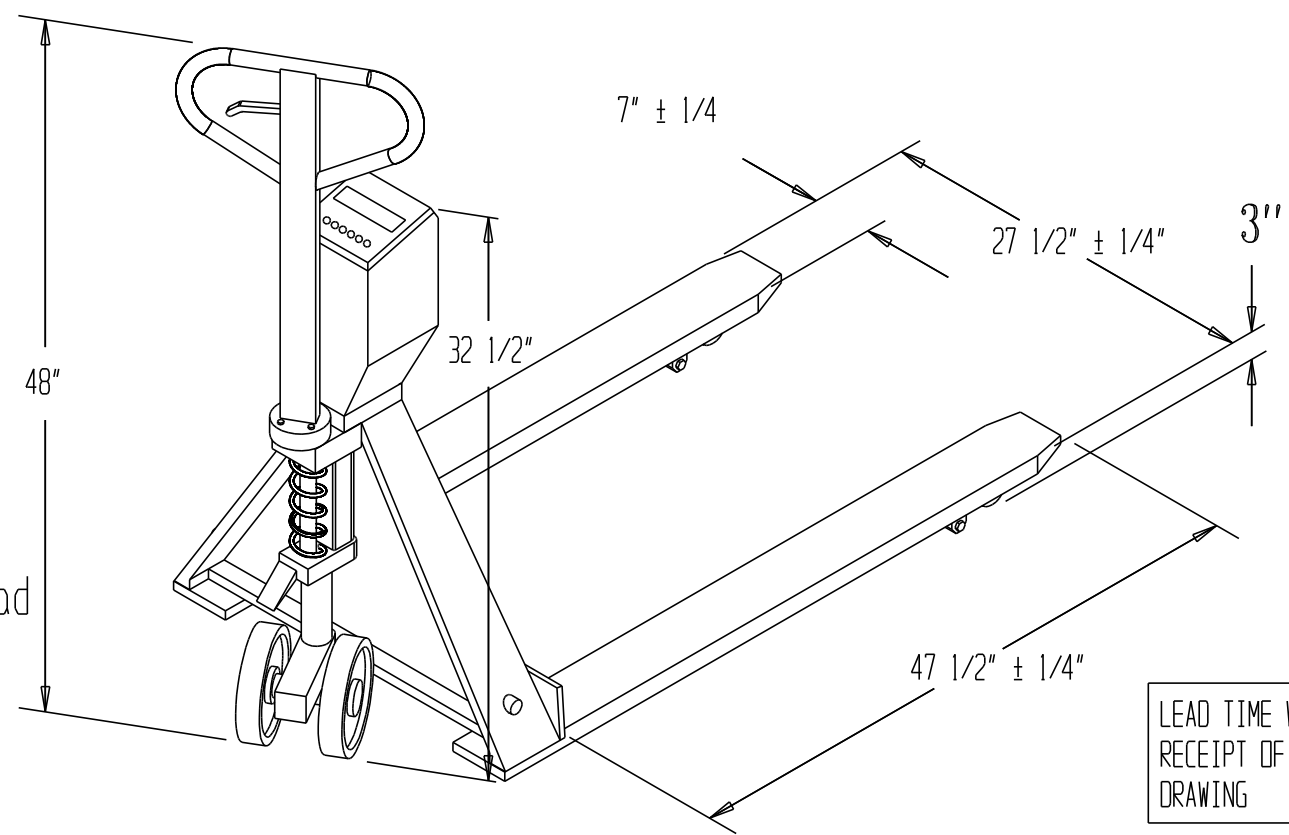
NOTE:
THIS PRODUCT MAY NOT
FIT SOME STANDARD
PALLETES.

MIN LOWERED HT 3

**PLEASE VERIFY YOUR
MINIMUM HT**

**SPECIAL UNITS ARE NON-RETURNABLE
*AVAILABLE AT ADDITIONAL COSTS

Read-out increment is 1/2 lb.
Scale accurate to $\pm .01\%$ of load



LEAD TIME WILL START UPON
RECEIPT OF SIGNED APPROVAL
DRAWING

STANDARD FEATURES

- MODEL NUMBER: PM-2748-SCL-LP
- OVERALL LENGTH OF FORKS IS $47 \frac{1}{2} \pm \frac{1}{4}$ INCHES
- OVERALL WIDTH OF FORKS IS $27 \pm \frac{1}{4}$ INCHES
- LOWERED HEIGHT OF 3 INCHES
- RAISED HEIGHT OF $7 \frac{1}{2}$ INCHES
- CAPACITY IS 5,000 LBS.
- POLYURETHANE WHEELS
- WEIGHT SCALE MOUNTED ON UNIT

SPECIAL FEATURES

NONE

**Any additions, deletions or omissions must
be corrected on this drawing, as this drawing
will be considered all inclusive.**

*** ALL GRAPHICS PROVIDED ARE FOR REFERENCE ONLY. IF CERTAIN DIMENSIONS
ARE CRITICAL PLEASE VERIFY THOSE DIMENSIONS WITH YOUR SALESPERSON. ***

APPROVAL

I, the undersigned, hereby approve this print
 As drawn As marked
 This includes my approval of design & dimensions.
 Signed: _____
 Date: _____

DISTRIBUTOR'S NAME:		P.O.#: -
HOF EQUIPMENT COMPANY PH: 888-990-1150		W.O.#: -
DRAWN BY: -	DATE: -	SALES: -
REFERENCE:		DRWG./FILE NAME:
-		SCALE: NTS 15-007-092-001