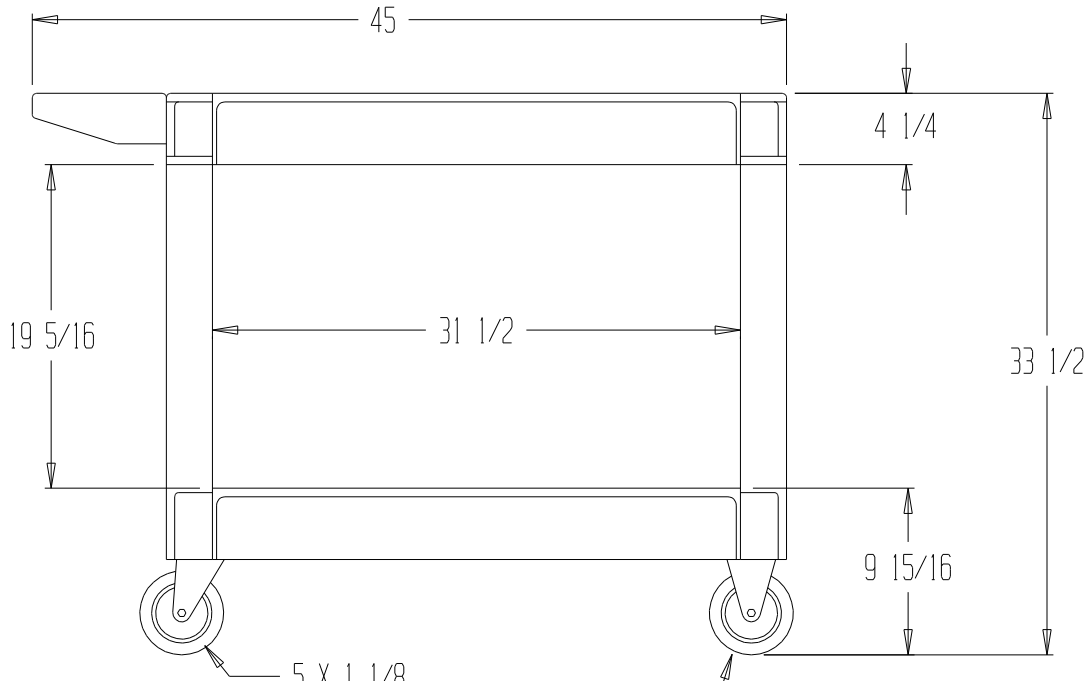
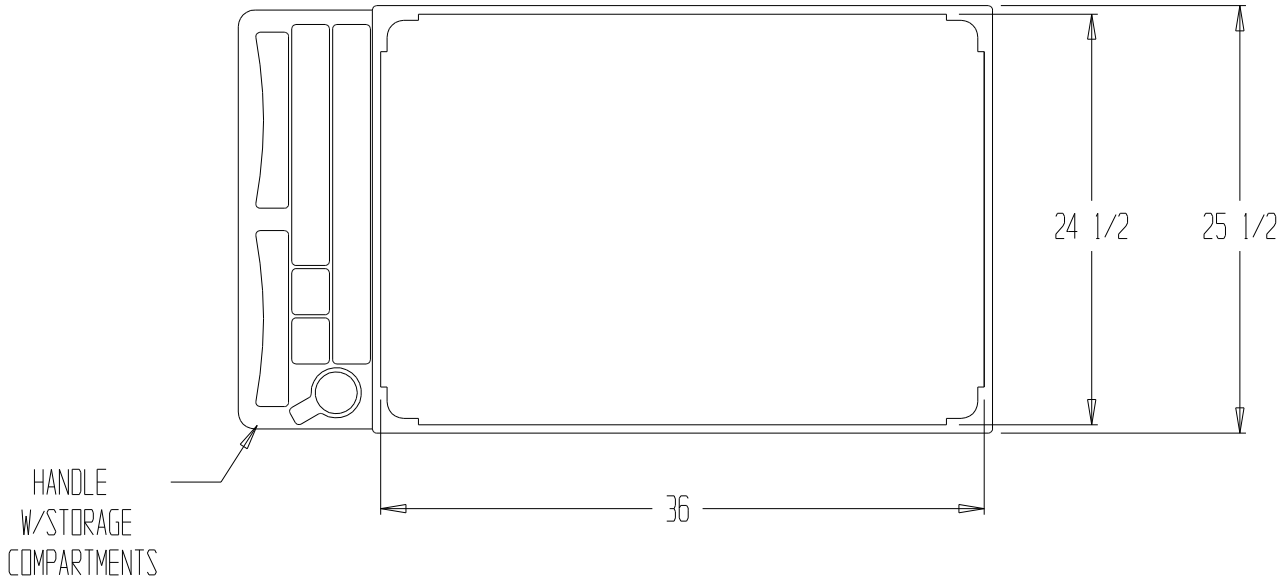


LEAD TIME WILL START UPON  
RECEIPT OF SIGNED APPROVAL  
DRAWING

# PLASTIC UTILITY SERVICE CART, PLSC-2-2436



\*\*Any additions, deletions or omissions must  
be corrected on this drawing, as this drawing  
will be considered all inclusive.\*\*

\*\*\* ALL GRAPHICS PROVIDED ARE FOR REFERENCE ONLY.  
IF CERTAIN DIMENSIONS ARE CRITICAL PLEASE VERIFY  
THOSE DIMENSIONS WITH YOUR SALESPERSON. \*\*\*

## STANDARD FEATURES

MODEL NUMBER: PLSC-2-2436  
SHELF CAPACITY: 250 LBS.  
UNIT CAPACITY: 500 LBS.  
USABLE SHELF: 24 1/2" W x 36" L x 4" H  
OVERALL WIDTH: 25 1/2"  
OVERALL LENGTH: 45"  
OVERALL HEIGHT: 33 1/2"  
SHELF CLEARANCE: 19 5/16"  
MATERIAL: LIGHTWEIGHT STRUCTURAL FOAM PLASTIC

5 X 1 1/8  
MOLD-ON-RUBBER  
RIGID CASTERS

5 X 1 1/8  
MOLD-ON-RUBBER  
SWIVEL CASTERS

## APPROVAL

I, the undersigned, hereby approve this print  
[ ] As drawn [ ] As marked  
This includes my approval of design & dimensions.  
Signed: \_\_\_\_\_  
Date: \_\_\_\_\_

## SPECIAL FEATURES

NONE

\*\*SPECIAL UNITS ARE NON-RETURNABLE  
\*AVAILABLE AT ADDITIONAL COSTS

DISTRIBUTOR'S NAME: <b>HOF EQUIPMENT COMPANY</b> PH: 888-990-1150		P.O.#: - W.O.#: -
DRAWN BY: SR	DATE: 1-9-06	SALES: -
REFERENCE: -		DRWG./FILE NAME: PLSC-2-2436
SCALE: 1:12		