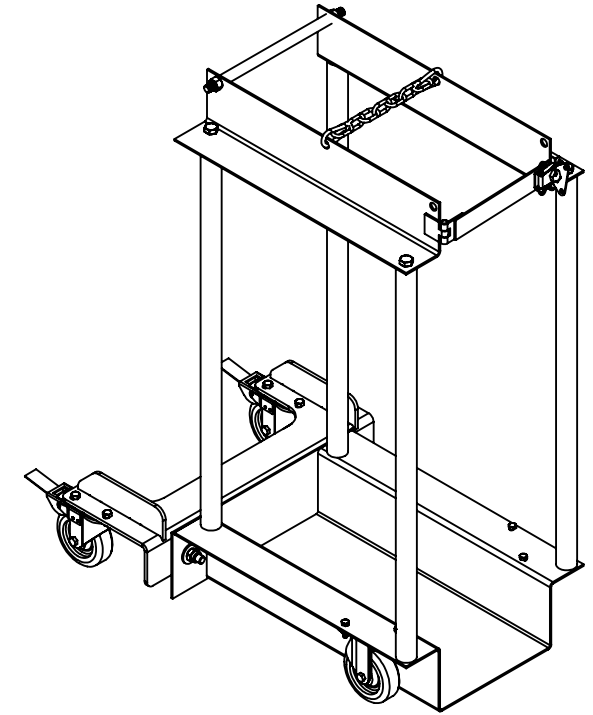
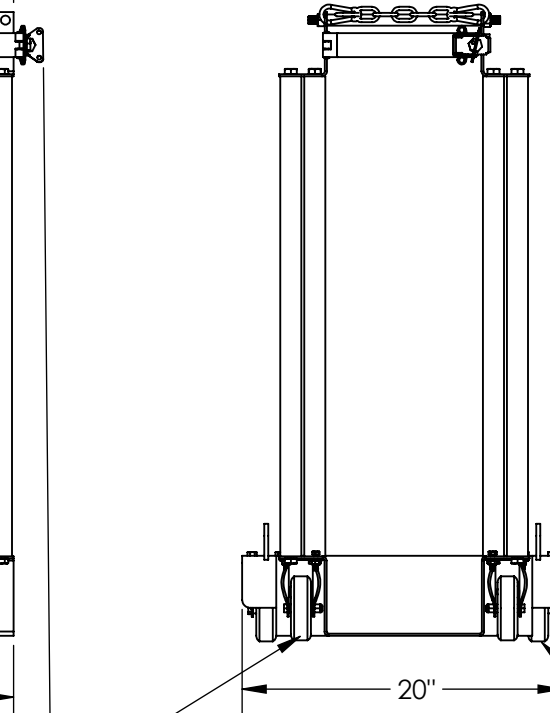
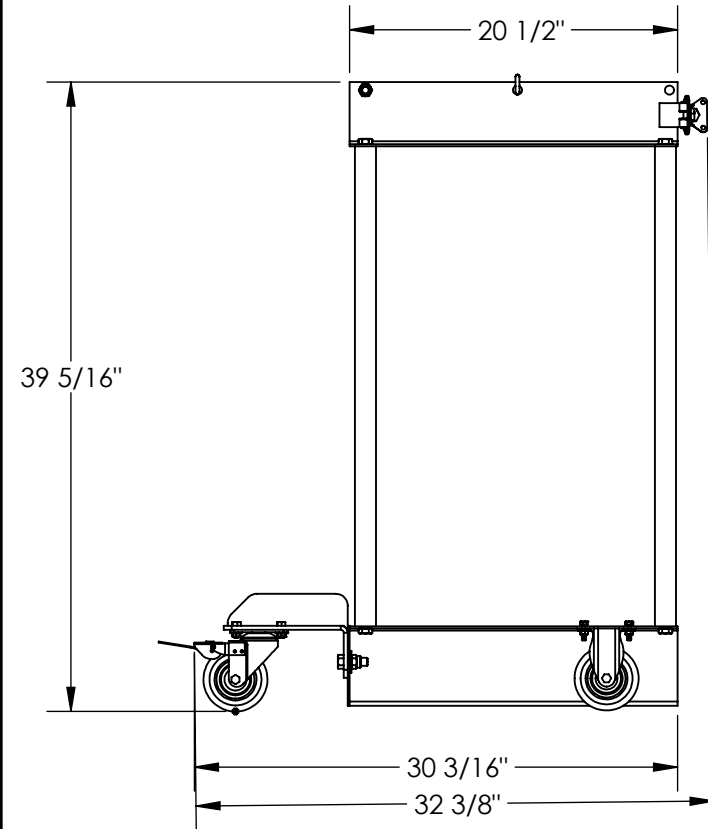


# CYLINDER CADDY - PJ-TRUCK-2

APPROX WEIGHT: 85.07 lbs.  
 DOES NOT INCLUDE WEIGHT OF POWER OR PACKAGING!!!

\*\*\* ANY ADDITIONS, DELETIONS, OR OMISSIONS MUST BE CORRECTED ON THIS DRAWING AS THIS DRAWING WILL BE CONSIDERED ALL INCLUSIVE \*\*\*

ALL GRAPHICS PROVIDED ARE FOR REFERENCE ONLY. IF CERTAIN DIMENSIONS ARE CRITICAL PLEASE VERIFY THOSE DIMENSIONS WITH YOUR SALESPERSON



Ø4" x 1 1/4" POLY ON POLY RIGID CASTERS

Ø4" x 1 1/4" POLY ON POLY SWIVEL W/ BRAKE CASTERS

DIMENSION TOLERANCE ± 1/4"

## STANDARD FEATURES

- MODEL NUMBER IS PJ-TRUCK-2
- OVERALL WIDTH IS 20"
- OVERALL LENGTH IS 30 3/16"
- OVERALL LENGTH W/ HARDWARE IS 31 15/16"
- OVERALL HEIGHT IS 32 3/8"
- HOLDS 2 CYLINDERS
- Ø9 1/2" MAX CYLINDER DIAMETER
- MAXIMUM CAPACITY IS 400 LBS
- INCLUDES (2) Ø4" X 1-1/4" POLY ON POLY SWIVEL CASTERS WITH BRAKE & (2) Ø4" X 1-1/4" POLY ON POLY RIGID CASTERS
- TOUGH BAKED IN POWDER COATED BLUE FINISH

## SPECIAL FEATURES

NONE

APPROVAL

I, THE UNDERSIGNED, AGREE THAT THE PRODUCT AS REPRESENTED SATISFIES DESIGN AND DIMENSION REQUIREMENTS. I ALSO ACKNOWLEDGE MY DUTY TO CONFIRM PRODUCT AND INSTALLATION COMPLIANCE WITH ALL APPLICABLE FEDERAL, STATE AND LOCAL REGULATIONS AND STANDARDS.

**UNITS REQUIRING APPROVAL DRAWINGS OR MODIFIED ARE NON-RETURNABLE**

[ ] As drawn [ ] As marked

Signed: \_\_\_\_\_ Date: \_\_\_\_\_

Printed Name: \_\_\_\_\_

LEAD TIME WILL START UPON RECEIPT OF SIGNED APPROVAL DRAWING

FOR INTERNAL USE ONLY PROJECT SIGN OFF	
SALES	
ENG.	
FAB.	
POWER	

DISTRIBUTOR'S NAME:		P.O.#
HOF EQUIPMENT COMPANY		X
PH: 888-990-1150		W.O.#
		X
DRAWN BY:	DATE:	SALES:
KGH	8/1/2017	X
REFERENCE:	SCALE:	FILE NAME:
X	1:12	
QUOTED LEAD TIME:	QUOTE #	
X	X	33-007-331