

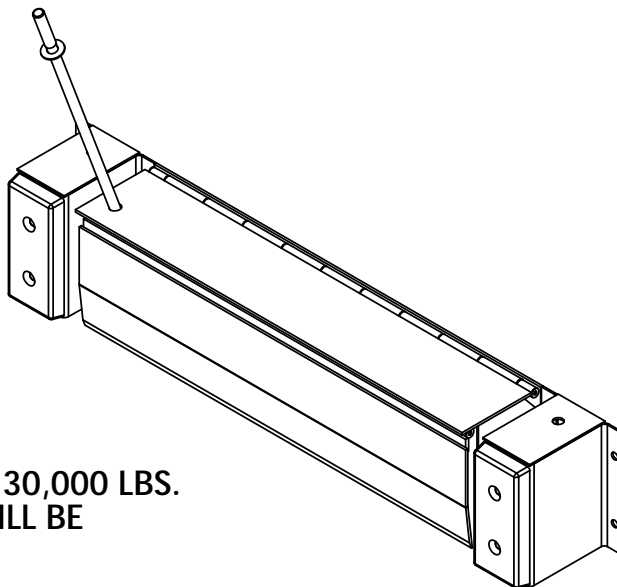
EDGE-O-DOCK LEVELER SURVEY SHEET

Inquiry Date: _____ Due Date: _____
 Contact: _____
 Company: _____
 Phone: _____
 Fax: _____
 E-mail: _____

PLEASE SPECIFY THE FOLLOWING:

USABLE WIDTH: _____

UNIFORM CAPACITY: _____



****NOTE: OVERALL WIDTH WILL BE USABLE WIDTH + 27" ****

- **MAXIMUM USABLE WIDTH IS 84"**
- **MINIMUM USABLE WIDTH IS 48"**
- **MAXIMUM UNIFORM CAPACITY IS 30,000 LBS.**
- **MAXIMUM UNIFORM CAPACITY WILL BE DEPENDENT ON THE USABLE WIDTH**

PREVIOUS QUOTE OR ORDER #: _____

OPTIONS:

- _____ *FM-BAR: ACTUATION HANDLE FOR MECHANICAL UNIT (NEW STYLE)*
- _____ *BB: STEEL BUMPER BOX*
- _____ *B-818: RUBBER BUMPER (REPLACEMENT): 18"W x 8"H x 2"P*
- _____ *CE: CURB EDGE- 6" CHANNEL x 96" LONG*
- _____ *RAMP-2: APPROACH RAMP, 96"W x 12"L x 2"H*
- _____ *RAMP-4: APPROACH RAMP, 96"2 x 24"L x 4"H*
- _____ *AP: APPROACH PLATE, 1/4" THICK x 12"L x 96"W*
- _____ *AP-BE: APPROACH PLATE, 1/4" THICK x 12"L x 96"W WITH BEVELED EDGE*

SPECIAL REQUESTS:

NOTE: UNIT INCLUDES (2) BUMPERS AND (2) BUMPER BOXES STANDARD

Additional Notes:

Quote options:

_____ Exactly as specified _____ Cheapest / Closest to Vestil standard
 _____ Quickest to ship
 Requested Delivery Date: _____

*All options may not be available on all models

Vestil Manufacturing Company * Angola, IN 46703 * Ph- 260-665-7586 * Fx- 260-665-1339

Vestil Manufacturing Co.	MODEL NO: FM	DESCRIPTION: MECHANICAL EDGE-O-DOCK SURVEY SHEET	DRAWN BY: TJM	DWG. NO. 07-003-002
--------------------------	-----------------	---	------------------	------------------------