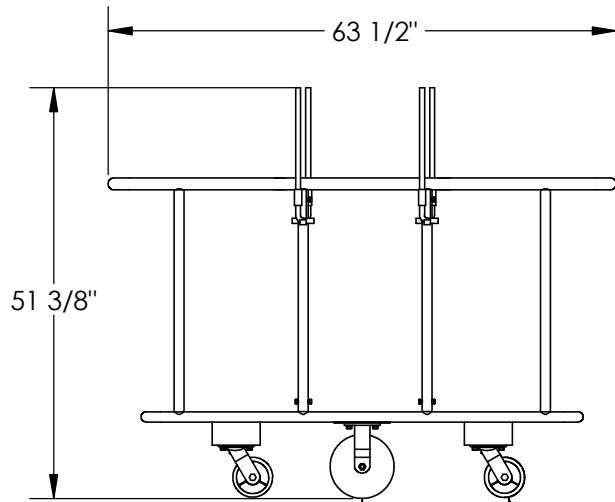


MATERIAL HANDLING CART - PANEL-H

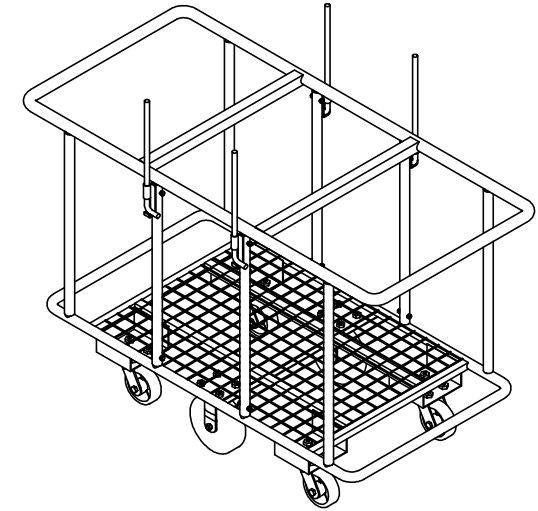
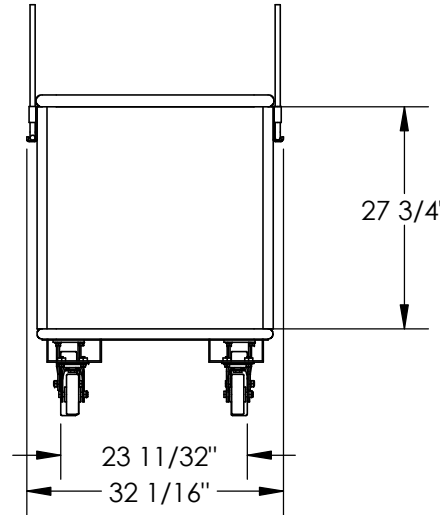
APPROX WEIGHT: 378.63 lbs.
 DOES NOT INCLUDE WEIGHT OF POWER OR PACKAGING!!!

*** ANY ADDITIONS, DELETIONS, OR OMISSIONS MUST BE CORRECTED ON THIS DRAWING AS THIS DRAWING WILL BE CONSIDERED ALL INCLUSIVE ***

ALL GRAPHICS PROVIDED ARE FOR REFERENCE ONLY. IF CERTAIN DIMENSIONS ARE CRITICAL PLEASE VERIFY THOSE DIMENSIONS WITH YOUR SALESPERSON



Ø8"X2" RIGID CASTER
 Ø5"X1-1/2" SWIVEL CASTERS



STANDARD FEATURES

MODEL NUMBER IS PANEL-H
 OVERALL WIDTH IS 32 1/16"
 OVERALL LENGTH IS 63 1/2"
 OVERALL HEIGHT IS 51 3/8"
 MAX CAPACITY IS 2000LBS
 COLOR: BLUE&YELLOW
 FOUR SLIDING POSTS

DIMENSION TOLERANCE ± 1/4"

APPROVAL	I, THE UNDERSIGNED, AGREE THAT THE PRODUCT AS REPRESENTED SATISFIES DESIGN AND DIMENSION REQUIREMENTS. I ALSO ACKNOWLEDGE MY DUTY TO CONFIRM PRODUCT AND INSTALLATION COMPLIANCE WITH ALL APPLICABLE FEDERAL, STATE AND LOCAL REGULATIONS AND STANDARDS.	
	ANY MODIFIED UNITS ARE NON-RETURNABLE	
	[] As drawn [] As marked	
Signed: _____		Date: _____
Printed Name: _____		
LEAD TIME WILL START UPON RECEIPT OF SIGNED APPROVAL DRAWING		

SPECIAL FEATURES

NONE

FOR INTERNAL USE ONLY PROJECT SIGN OFF	
SALES	
ENG.	
FAB.	
POWER	

DISTRIBUTOR'S NAME: HOF EQUIPMENT COMPANY PH: 888.990.1150		P.O.# X
DRAWN BY: C.CLEMENS		W.O.# X
DATE: 6/30/16	SALES: X	FILE NAME:
REFERENCE: X	SCALE: 1:24	16-007-431
QUOTED LEAD TIME: X	QUOTE # X	